

NEW LUXURY LED CRYSTAL HANDLE WATERFALL MIXER BATHROOM WIDESPREAD SINK FAUCET INSTALLATION INSTRUCTIONS



PRIOR TO INSTALLATION

Please read installation instructions below. All plumbing should be installed in accordance with applicable building codes and regulations.

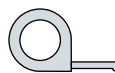
Unpack and inspect the items for any shipping damages. If you find damages, do not install.

All products must be installed by a professional and certified plumber otherwise warranty may be voided.

POSSIBLE TOOLS REQUIRED*



Plumbers Tape



Tape Measure



Level



Adjustable Wrench



Hex Wrench



Thread Sealant



Drill



Pencil or Marker

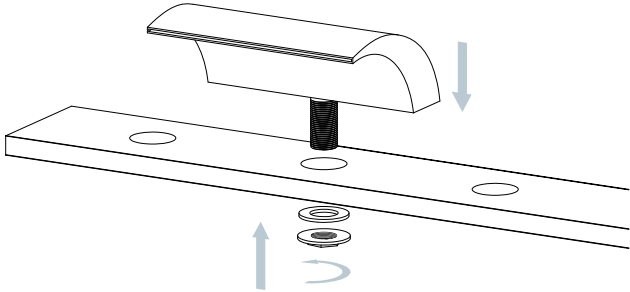


Screwdriver

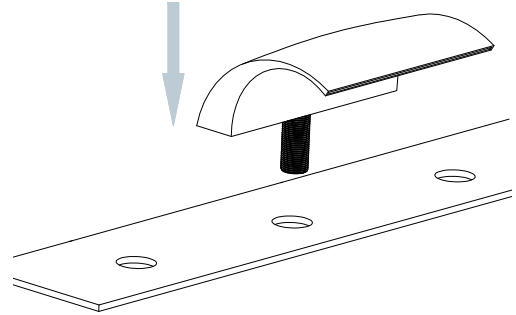
*not included

Widespread Installation Instruction

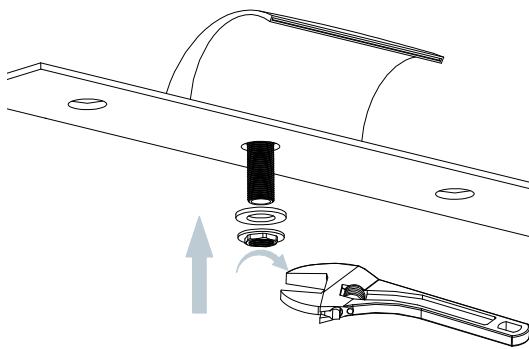
Step 1:



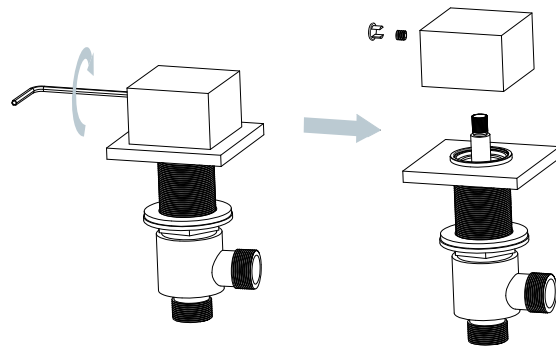
Step 2:



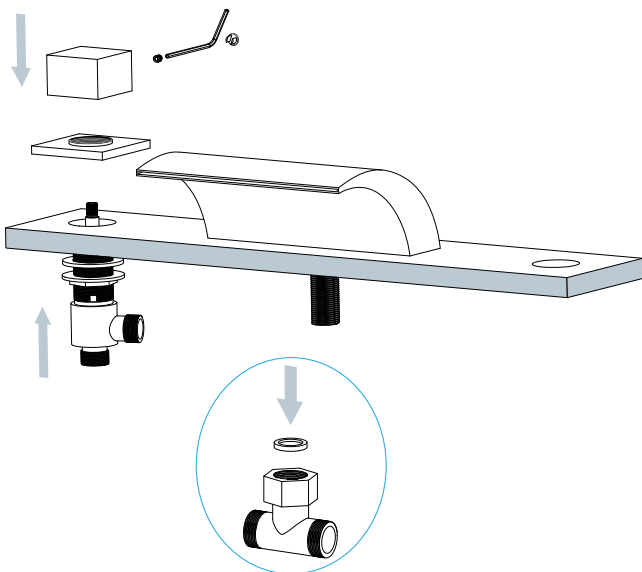
Step 3:



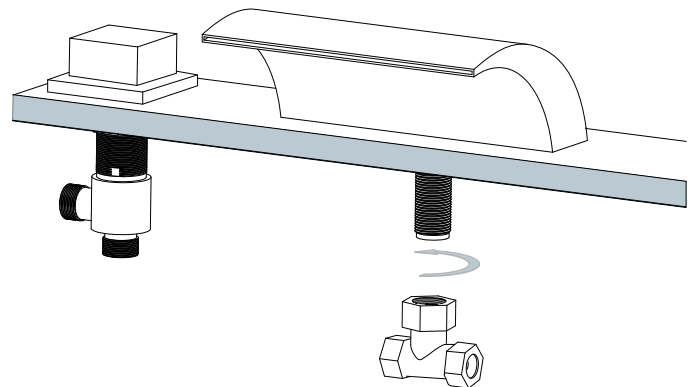
Step 4:



Step 5:

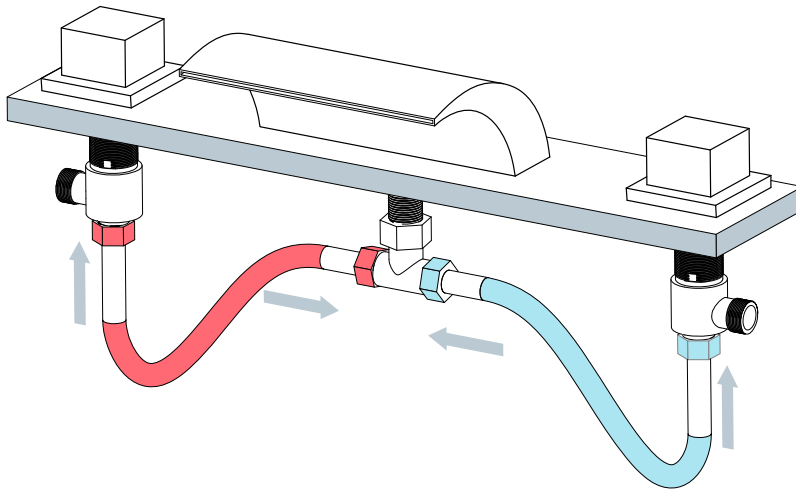


Step 6:

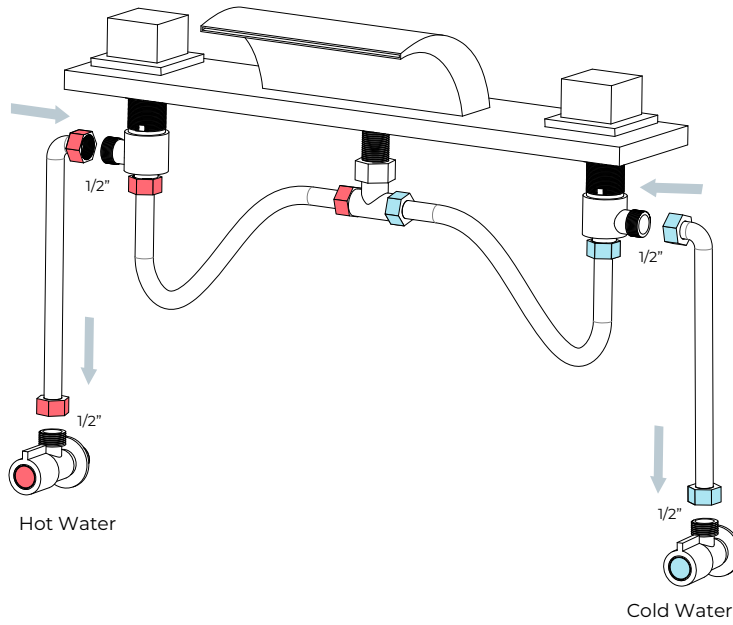


All dimensions and specifications are nominal and may vary. Use actual products for accuracy in critical situations.

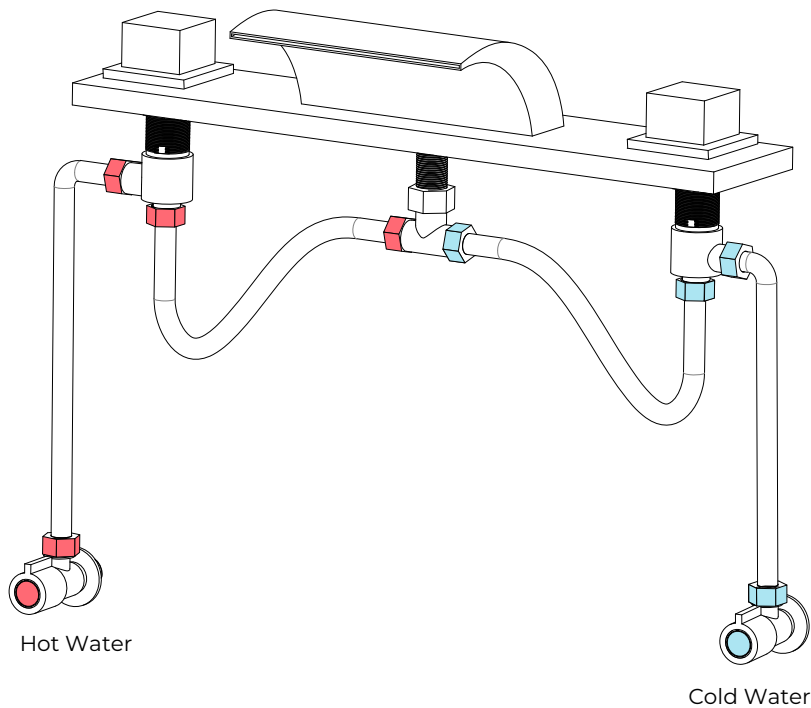
Step 7:



Step 8:



Step 9:



Fontana Showers®

1. Ensure that the water supply below your sink is completely shut off by turning the valve all the way to the right.
2. Remove the T-connector from the spout in order. To remove the T-connector, first remove the nut that is holding it in place, as shown. Set the parts aside.
3. Insert the spout into the prepared center mounting hole. From below, Slide one of the provided rubber gaskets onto the threaded shank, followed by the metal washer. Secure the the spout to the surface using the lock nut. Tighten firmly with a basin wrench.
4. Reattach the T-connector to the spout in the reverse order of its removal, as shown. Ensure that the rubber o-ring is seated properly, and that the nut is tightened firmly using an adjustable wrench.
5. Thread one of the provided lock nuts onto each of the valve stems. Thread to the bottom of each stem. Slide one of the provided plastic washers, followed by a rubber washer, onto each stem as well.
6. One of the faucet's valve stems are labeled by color - red for 'hot.' From below, insert the 'hot' valve stem into the left-side faucet hole, as shown. From above, thread one of the provided bell flanges onto the stem.
7. Install the 'hot' handle onto the stem's spindle. Once installed, loosen the bell flange until none of the spindle is exposed, as shown.
8. From beneath the sink, position the stem so that the outlet on the side of the stem is pointing inward, towards the T-connector. While holding in place, hand tighten the lock nut. Finish tightening using a basin wrench.
9. Repeat steps 6-8 to install the 'cold' valve stem into the right-side faucet hole.
10. Use the provided braided water lines to connect the hot and cold valve stems to the T-connector. Use an adjustable wrench to tighten, but be careful not to overtighten. Apply thread sealant or plumber's tape to each threaded connection before attaching.
11. Connect the main water supply lines to the valve stems. Apply plumber's tape or thread sealant to the threads before tightening.
12. Turn the faucet on and allow the water to flow for approximately 60 seconds. Ensure that there are no leaks, and that both hot and cold water are running properly.

The LED light will change its color by detecting water temperature:

0-30°C (32-86°F): Blue LED

30-40°C (86-104°F): Green LED

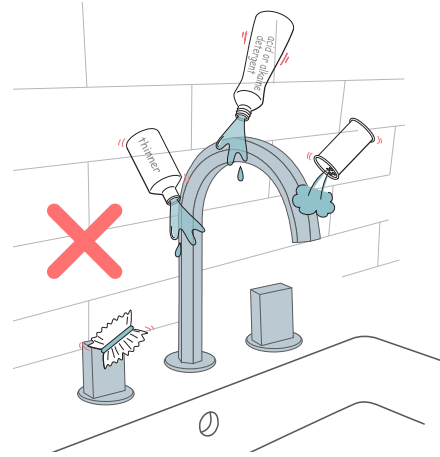
40-50°C (104-122°F): Red LED

50-100°C (122-212°F): Flashing Red LED

Note: The LED lights are powered by water flow, and will be activated once the water is turned on.

Care & Cleaning

1. The product can be cleaned with warm water, a mild soap and a clean soft cloth.
2. Clean progressively and gently.
3. It is not required to use any abrasive cleaning pads, wire wool or micro-fibre cloths to clean the product.
4. Avoid a vigorous cleaning action, as this could contribute to denaturing and dulling the finish.
5. Abrasive or strong cleaning products containing ammonia, bleaches, alcohol, dyes, acids (hydrochloric, formic, phosphorus, chlorine or acetic) will be detrimental to the product finish.
6. If using a spray cleaner, apply the cleaning agent onto a soft cloth, never directly spray onto the product as the cleaner may enter gaps and openings and cause damage. Do not allow the cleaner to remain on the product for a period of time. After cleaning, rinse thoroughly with clean water.



Flexible Connecting Hose

Care must be taken when connecting the flexible connection hose from the power supply box to the spout to ensure it does not bend sharply and kink or twist. See above for recommended ways to fit the flexible connecting hose.

Important: Failure to follow these guidelines may result in poor performance and damage to the flexible connection hose.

