

# FLOOR STAND MATTE BLACK FINISH BATH TUB FAUCET DUAL HANDLE WITH HAND SHOWER INSTALLATION INSTRUCTIONS



## PRIOR TO INSTALLATION

Please read installation instructions below. All plumbing should be installed in accordance with applicable building codes and regulations.

Unpack and inspect the items for any shipping damages. If you find damages, do not install.

All products must be installed by a professional and certified plumber otherwise warranty may be voided.

## POSSIBLE TOOLS REQUIRED\*



Plumbers Tape



Tape Measure



Level



Adjustable Wrench



Hex Wrench



Thread Sealant



Drill



Pencil or Marker

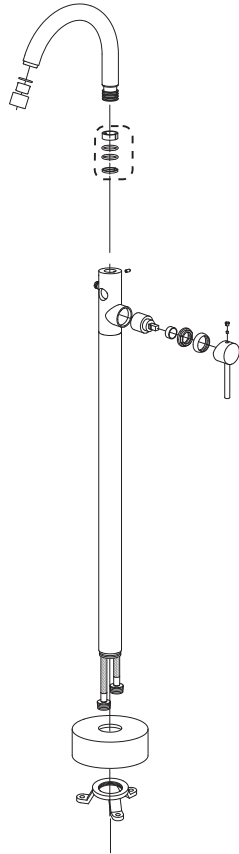


Screwdriver

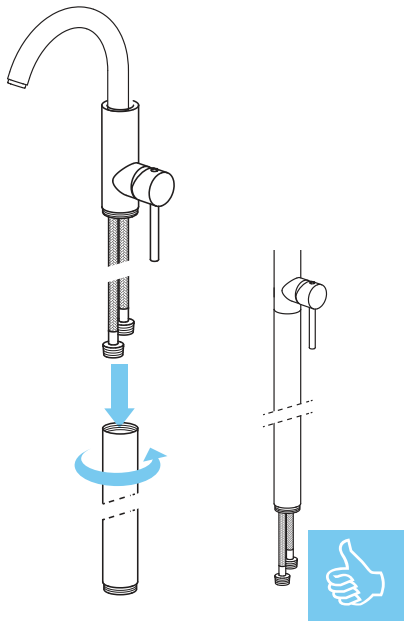
\*not included

## Freestanding faucet Installation

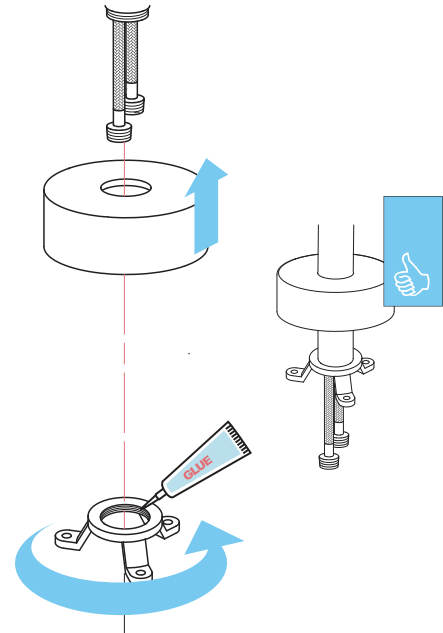
Step 1.



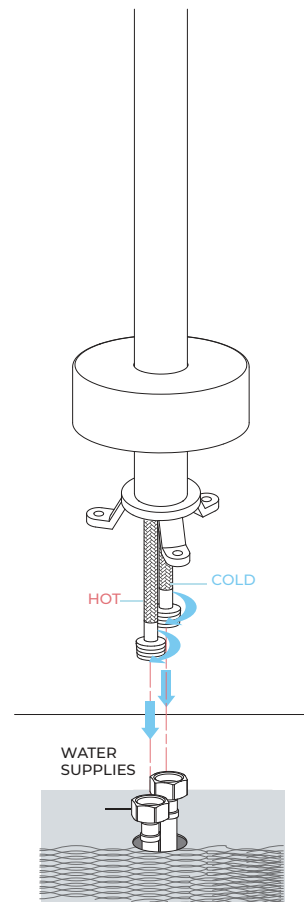
Step 2.



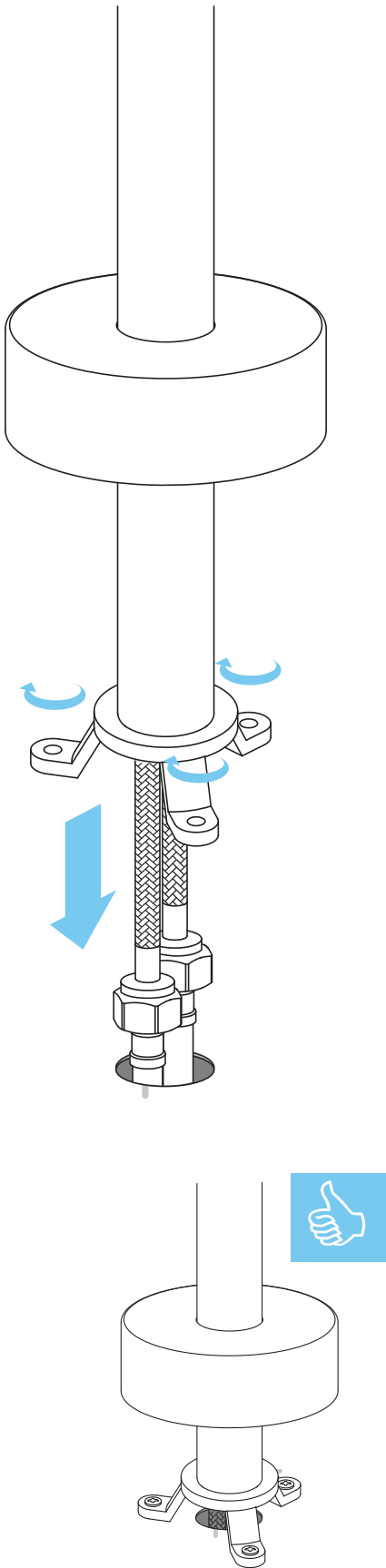
Step 3.



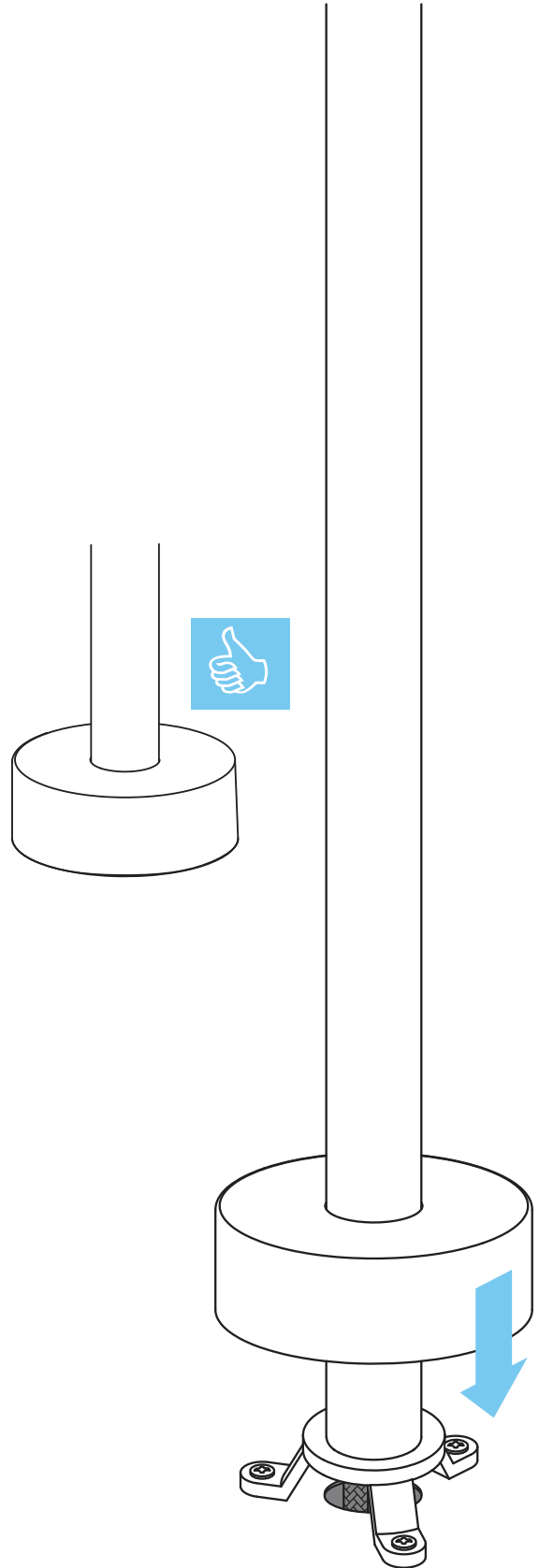
Step 4.



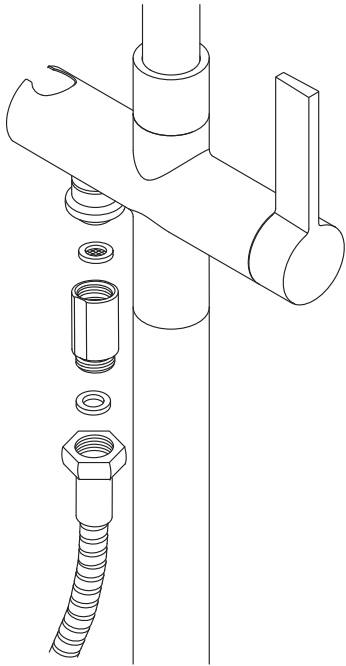
Step 5.



Step 6.

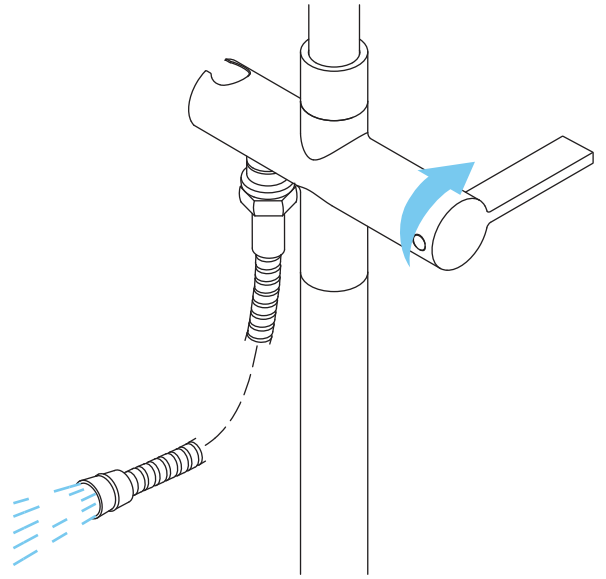


## Step 7.



Install the check valve and handshower hose to the diverter.

## Step 8.



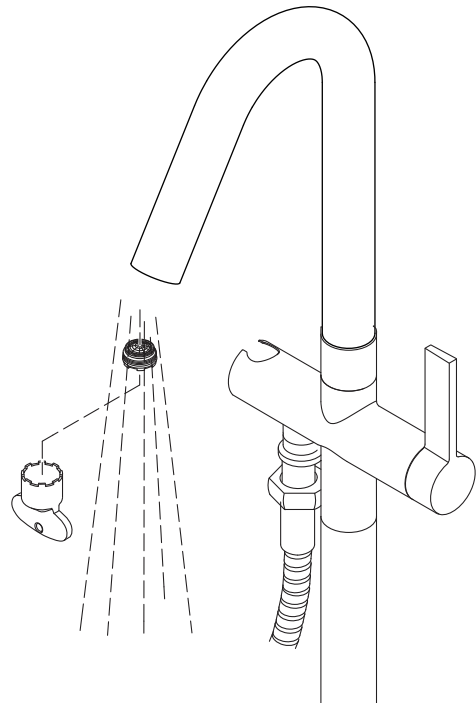
Turn on the water to flush debris from the hose.

## Step 9.



Install the handshower to the hose.

## Step 10.



Remove the aerator. Run water to remove debris.

## Commissioning Sequence

Before using the soap dispenser for the first time, the following sequence must be carried out.

- Fill the bottle full of soap.
- Locate the dispense button on the side of the pump. Press and hold the button until soap is dispensed from the spout. This will ensure the dispenser tube and cable are full of soap.

## Operation

Place your hand under the spout within the sensing range.

Once the your hand is detected, a small amount of soap will be dispensed from the spout into your hand.

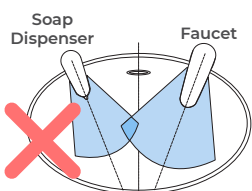
## General Information

Our sensor spouts have a non-touch control which uses infrared sensing technology to detect human presence. Once detected, the spout instantly dispenses water and automatically stops once the user moves their hands away to eliminate unnecessary water wastage, whilst creating a more hygienic washroom solution.

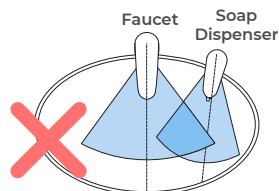
All products manufactured and supplied by Fontana are safe and comply to legislative requirements. Providing they are installed correctly and receive regular maintenance in accordance with these instructions your user experience will not be affected.

## Sensor Faucet & Soap Dispenser Installation

### Incorrect Placement

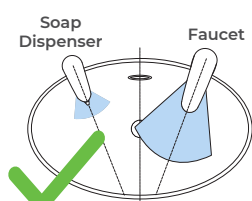


Keep sensor range adjustment within 4 inches away from center of spout. This can only be done with optional remote control.

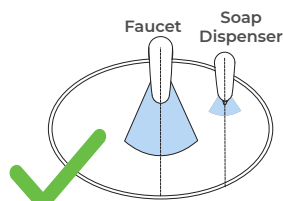


Installing electronic soap dispenser & faucet with intersecting centerline might lead to accidental activation of either or both.

### Correct Placement



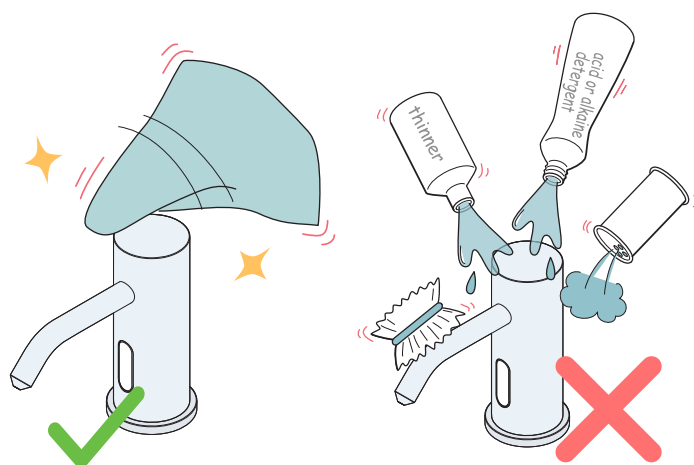
Keep sensor ranges factory preset.



Keep soap spout & faucet centerline parallel.

## Care & Cleaning

- Always wipe your fixture down with a soft cloth after each use to prevent mineral build-up and water-spotting. Should spotting occur, remove water spots with warm water and a soft, damp cloth.
- Wipe away any debris adhering to the spout or sensor.
- Wipe away debris with a damp cloth containing a suitable amount of a neutral, dishwashing detergent. Then wipe clean with a damp cloth.
- When cleaning around the sensor, please be careful not to scratch the surface of the sensor window.
- Do not use detergent that might damage the surface of spout. These include:
  - Detergents containing acid, chlorine bleach or alkali.
  - Detergents that are coarse granules in nature, such as polishing powder.
  - Solvents such as paint thinner or benzene.
  - Abrasive aids such as nylon scrubbers/brushes, steel wool, etc.



## Hygienic

The proximity sensor faucet removes the need to touch the faucet body, reducing the spread of germs and the chance of cross-contamination.