

# FONTANA DEAUVILLE FLOOR STANDING TUB FAUCET SINGLE HANDLE WATERFALL SPOUT IN OIL RUBBED BRONZE INSTALLATION INSTRUCTIONS



## PRIOR TO INSTALLATION

Please read installation instructions below. All plumbing should be installed in accordance with applicable building codes and regulations.

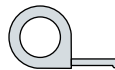
Unpack and inspect the items for any shipping damages. If you find damages, do not install.

All products must be installed by a professional and certified plumber otherwise warranty may be voided.

## POSSIBLE TOOLS REQUIRED\*



Plumbers Tape



Tape Measure



Level



Adjustable Wrench



Hex Wrench



Thread Sealant



Drill



Pencil or Marker



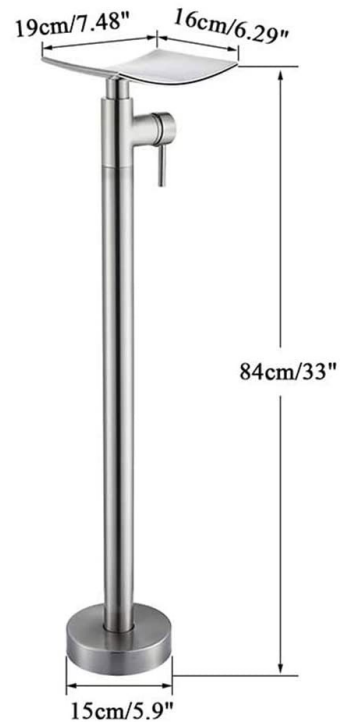
Screwdriver

\*not included

## Technical Information

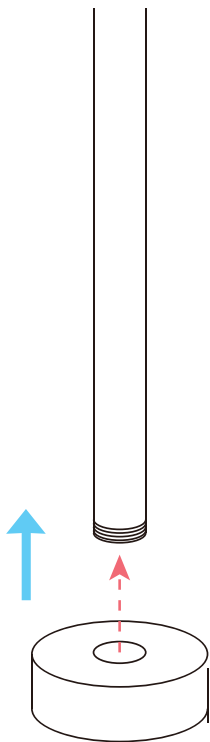
Feature :Metered Faucets  
 Feature: Floor Stand Faucets  
 Cold/Hot Water Control Type: Single Holder  
 Dual Control  
 Valve Core Material: Ceramic  
 Number of Handles: Single Handle  
 Surface Finishing: None  
 Function: Floor Tub Faucet  
 Type: Bathroom Tub Faucet  
 Installation: Floor Mount Faucet  
 Number of Handle: Single Handle  
 Color: Oil Rubbed Bronze

## Size



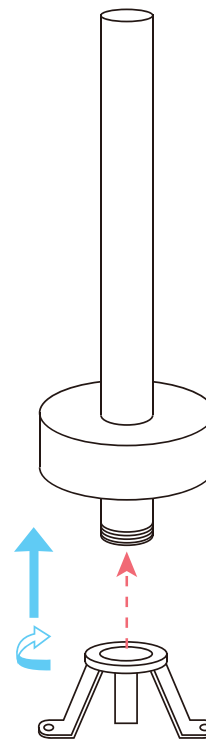
## Installation Instructions

### Step 1:



1. Position the Faucet body through the opening of the floor escutcheon.

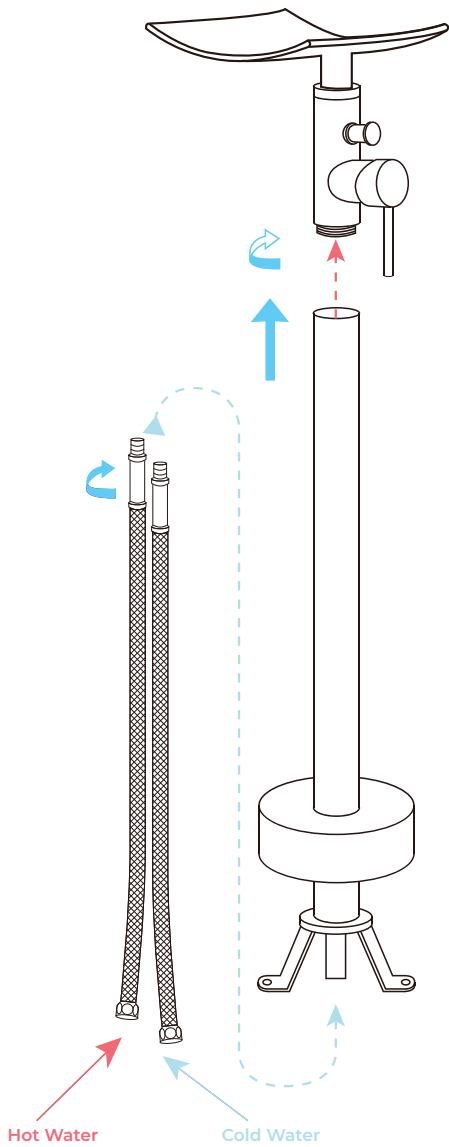
### Step 2:



2. Screw the permanent seat onto the bottom.

All dimensions and specifications are nominal and may vary. Use actual products for accuracy in critical situations.

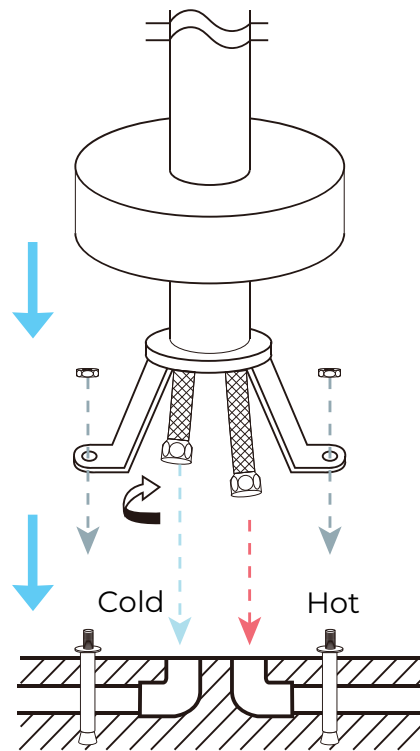
## Step 3:



3. Pull the flexible hoses through the straight tube. Twist tight to attach them to the faucet.

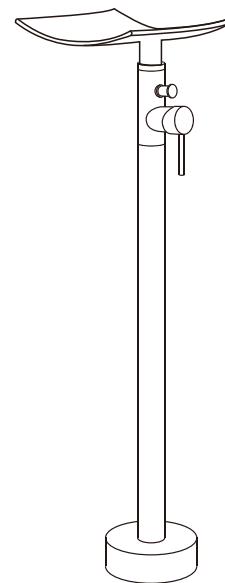
Twist to tighten the straight tube to the top of the faucet.

## Step 4:



4. Tighten the screws to the permanent seat on the ground. Insert the flexible hoses into the hot and cold outlet tubes.

## Step 5:



5. Installation Complete. Please check that the tub filler spout diverter are functioning properly.



**WATER SPOUT**

**SINGLE HANDLE**

**FLOOR STAND**



**OIL RUBBED BRONZE**  
**BRASS WATERFALL**  
**ONE -WAY**

## Care & Cleaning

- Always wipe your fixture down with a soft cloth after each use to prevent mineral build-up and water-spotting. Should spotting occur, remove water spots with warm water and a soft, damp cloth.
- Wipe away any debris adhering to the spout or sensor.
- Wipe away debris with a damp cloth containing a suitable amount of a neutral, dishwashing detergent. Then wipe clean with a damp cloth.
- When cleaning around the sensor, please be careful not to scratch the surface of the sensor window.
- Do not use detergent that might damage the surface of spout. These include:
  - Detergents containing acid, chlorine bleach or alkali.
  - Detergents that are coarse granules in nature, such as polishing powder.
  - Solvents such as paint thinner or benzene.
  - Abrasive aids such as nylon scrubbers/brushes, steel wool, etc.

## Waterpipe Instructions

