

FONTANA MILAN SINGLE LEVER WALL MOUNT WHITE 8.27" (210MM) SINK FAUCET INSTALLATION INSTRUCTIONS



PRIOR TO INSTALLATION

Please read installation instructions below. All plumbing should be installed in accordance with applicable building codes and regulations.

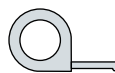
Unpack and inspect the items for any shipping damages. If you find damages, do not install.

All products must be installed by a professional and certified plumber otherwise warranty may be voided.

POSSIBLE TOOLS REQUIRED*



Plumbers Tape



Tape Measure



Level



Adjustable Wrench



Hex Wrench



Thread Sealant



Drill



Pencil or Marker



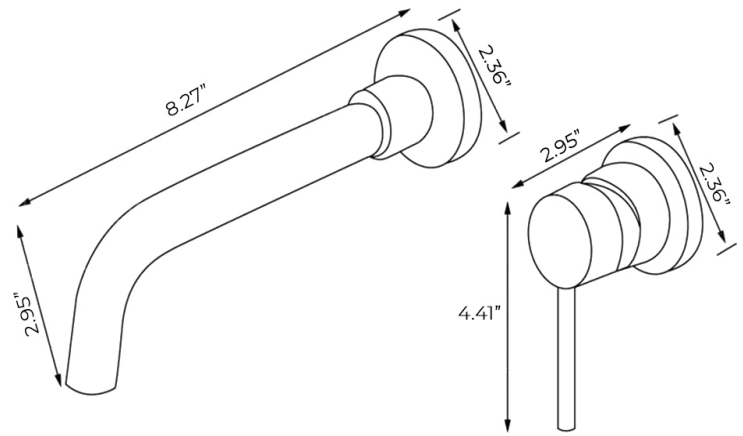
Screwdriver

*not included

Technical Information

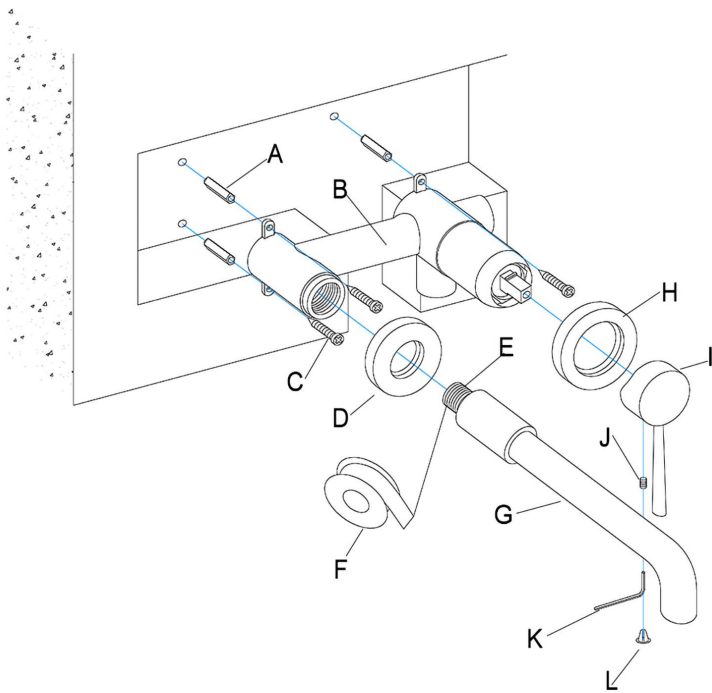
Installation Type: Wall Mounted
 Spout Material: Brass
 Handle Material: Zinc Alloy
 Number Of Holes: 2
 Number Of Handles: 1
 Swivel Spout: Yes
 Valve Included: Yes
 Valve Type: Ceramic Valve
 Spout reach - 8.27"
 Flow Rate - 1.2 GPM / 4.5 LPM
 Minimum required water pressure - 0.05 Mpa
 (0.5 bar)

Faucet Size

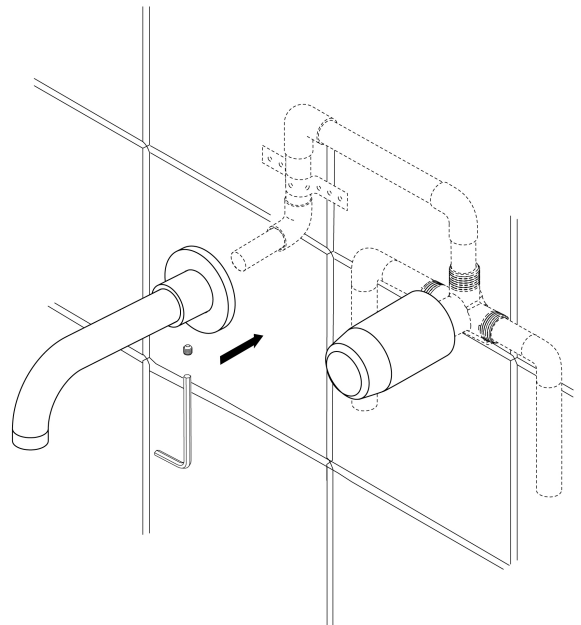


Wall Mount Installation

Step 1:

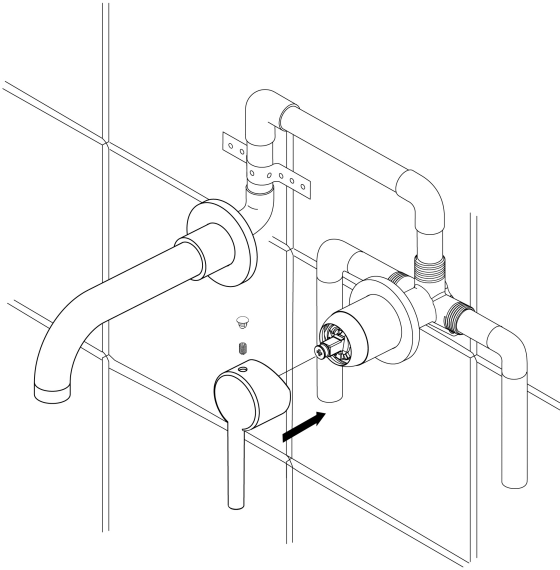


Step 2:

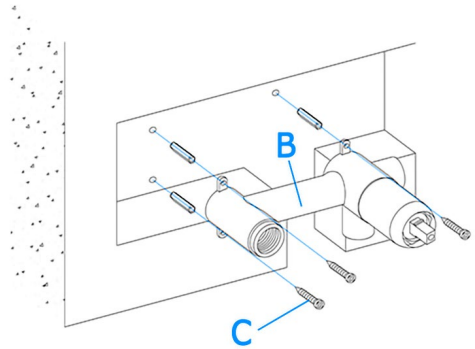


All dimensions and specifications are nominal and may vary. Use actual products for accuracy in critical situations.

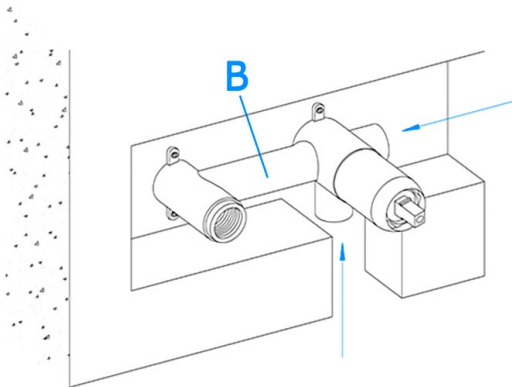
Step 3:



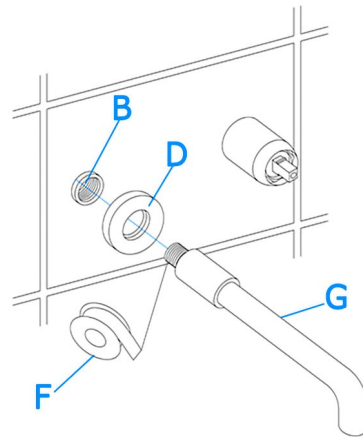
Step 4:



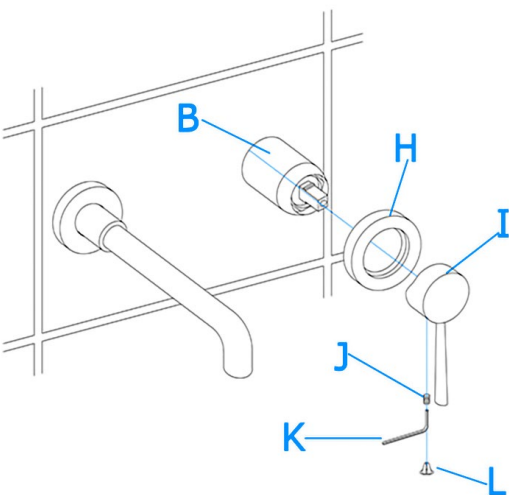
Step 5:



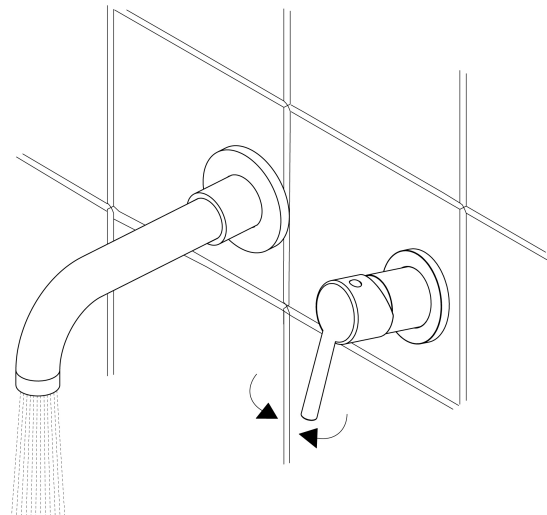
Step 6:



Step 7:

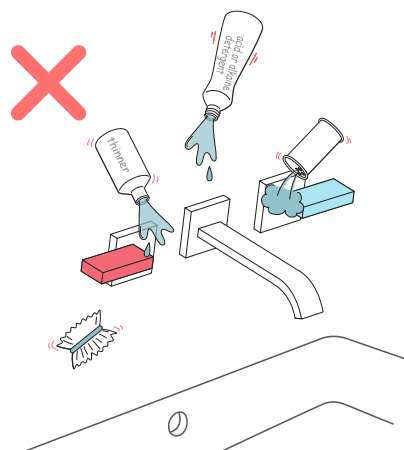
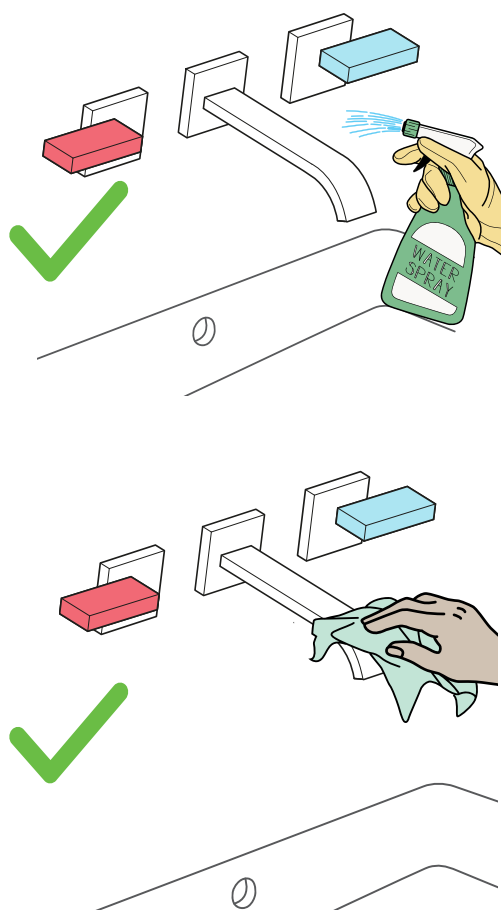


Step 8:



Care & Cleaning

1. The product can be cleaned with warm water, a mild soap and a clean soft cloth.
2. Clean progressively and gently.
3. It is not required to use any abrasive cleaning pads, wire wool or micro-fibre cloths to clean the product.
4. Avoid a vigorous cleaning action, as this could contribute to denaturing and dulling the finish.
5. Abrasive or strong cleaning products containing ammonia, bleaches, alcohol, dyes, acids (hydrochloric, formic, phosphorus, chlorine or acetic) will be detrimental to the product finish.
6. If using a spray cleaner, apply the cleaning agent onto a soft cloth, never directly spray onto the product as the cleaner may enter gaps and openings and cause damage. Do not allow the cleaner to remain on the product for a period of time. After cleaning, rinse thoroughly with clean water.



Flexible Connecting Hose

Care must be taken when connecting the flexible connection hose from the power supply box to the spout to ensure it does not bend sharply and kink or twist. See above for recommended ways to fit the flexible connecting hose.

Important: Failure to follow these guidelines may result in poor performance and damage to the flexible connection hose.

