

# FONTANA VERSILIA GOLD FINISH COLOR CHANGING LED SHOWER HEAD WITH ADJUSTABLE BODY JETS AND MIXER INSTALLATION INSTRUCTIONS



## PRIOR TO INSTALLATION

Please read installation instructions below. All plumbing should be installed in accordance with applicable building codes and regulations.

Unpack and inspect the items for any shipping damages. If you find damages, do not install.

All products must be installed by a professional and certified plumber otherwise warranty may be voided.

## POSSIBLE TOOLS REQUIRED\*



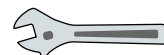
Plumbers Tape



Tape Measure



Level



Adjustable Wrench



Hex Wrench



Thread Sealant



Drill



Pencil or Marker

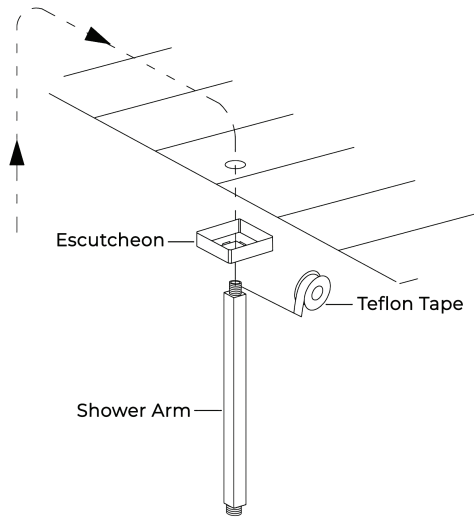


Screwdriver

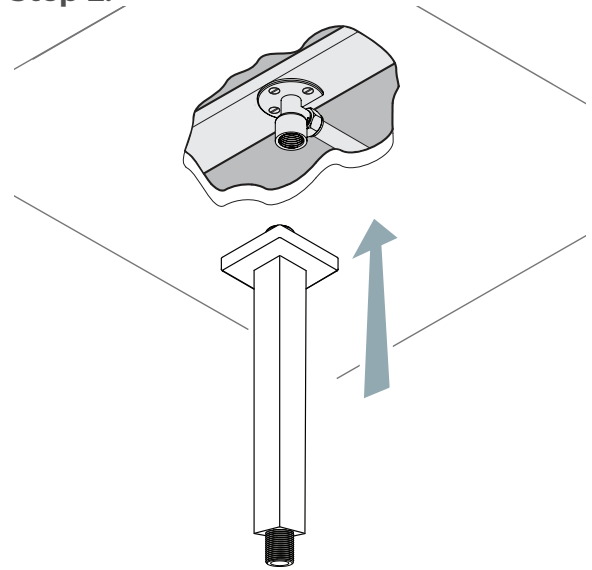
\*not included

## Ceiling Mount Shower Installations Instructions

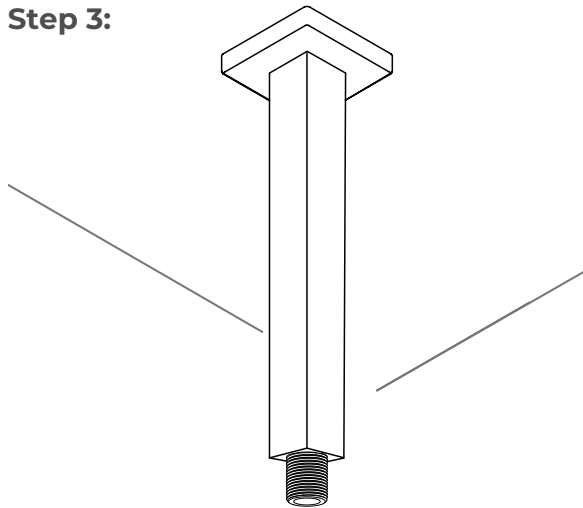
### Step 1:



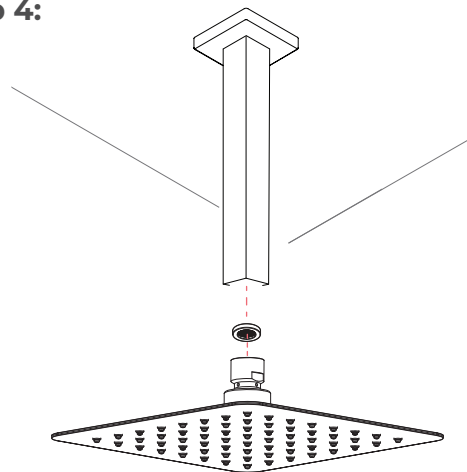
### Step 2:



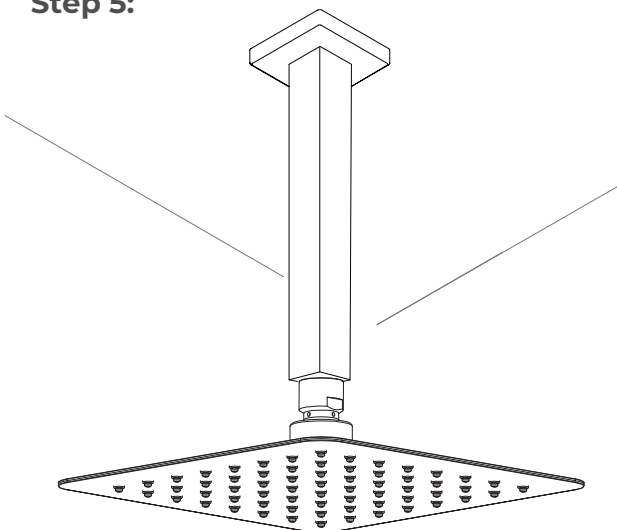
### Step 3:



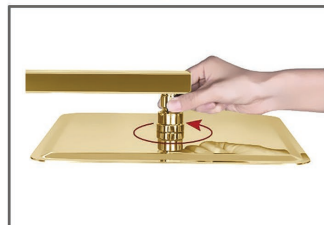
### Step 4:



### Step 5:



No tools required, G1/2" connector fits standard sized shower plumbing.



✓ Use your hands counterclockwise to unscrew the old showerhead and removed it.



✓ Take out the Hiendure Showerhead, make sure the shower filter is placed in the connector.



✓ Ensure the showerhead full horizontal alignment wall mounted shower arm thread



✓ Use your heads clockwise to tighten showerhead.

## Step 1: Take Out the Old Shower Head

You can easily remove it by hand, but depending on how long the rain showerhead has been installed, you might need to use an adjustable wrench. Hence, if you find it difficult to remove, rotate the showerhead with an adjustable wrench in a counter clockwise direction to unscrew it.

## Step 2: Keep the Shower Arm Clean and In Good Shape

After you have removed the head, check the shower arm threads for any debris and old Teflon tape. If you find any, remove it and clean them off thoroughly. It's best to use a microfiber cloth when cleaning the thread because it removes Teflon tape perfectly and works great to pick up tiny grits.

Once you're done cleaning, check if it is corroded or leaking. For damaged threads, it will be best you replace it entirely so you can have a comfortable shower experience any time.

## Step 3: Time to Add New Teflon Tape

Since you have removed the old Teflon tape, you have to replace it with new ones. The reason is that this tape helps to protect the shower from leaking after installing the showerhead. Now apply the new Teflon tape about 3-5 turns on the thread and tear the end part. Use your hands to smooth it out to keep it leveled to the thread. Keep in mind that when applying the tape, you should go in a clockwise motion so that it doesn't come off when you attach the head in the same direction.

## Step 4: Connect the Showerhead

As said earlier in the tools needed, we're using the rubber sealing washer that comes with the showerhead. This tool helps to make the showerhead stay watertight and secured on to the thread. Ensure you place it properly before installing it.

After that, reconnect the shower head and tighten it down with your hands. You can employ a chair or ladder to make things easier for you.

## Step 5: Tighten the Showerhead

On To the Thread You will need to get the adjustable wrench handy to tighten down the shower very well. But make sure you wrap the threads with a terry cloth, so it doesn't damage the finish when tightening the showerhead.

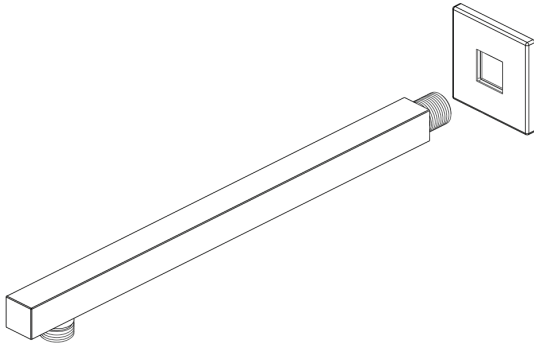
Once you have done that, now use the adjustable wrench to tighten down the showerhead. However, don't over-tight or force it so that it's easier to remove in the future.

The LED light will change its color by detecting water temperature:	40-50° (104-122°): Red LED
	50-100° (122-212°): Flashing Red LED
0-30° (32-86°): Blue LED	
30-40° (86-104°): Green LED	

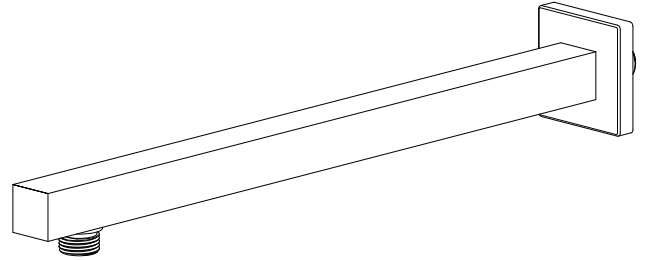
Note: The LED lights are powered by water flow, and will be activated once the water is turned on.

## Wall Mount Shower Installations Instructions

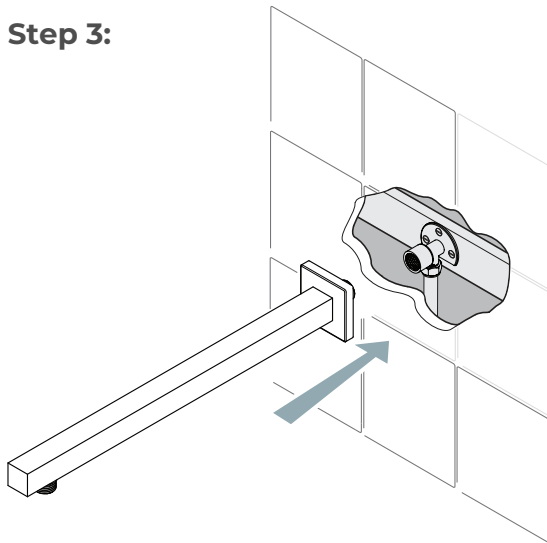
**Step 1:**



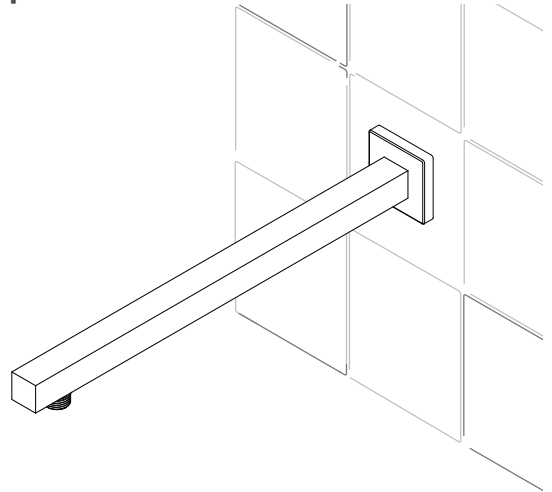
**Step 2:**



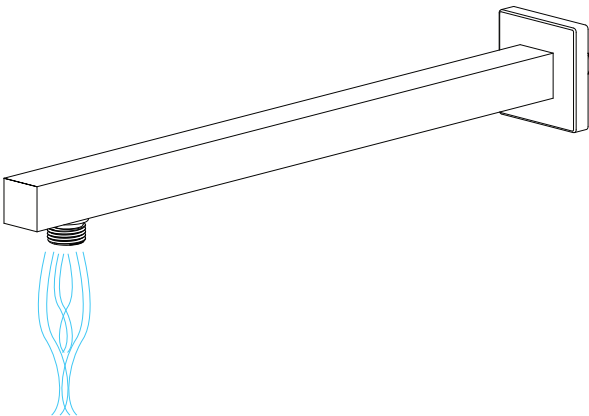
**Step 3:**



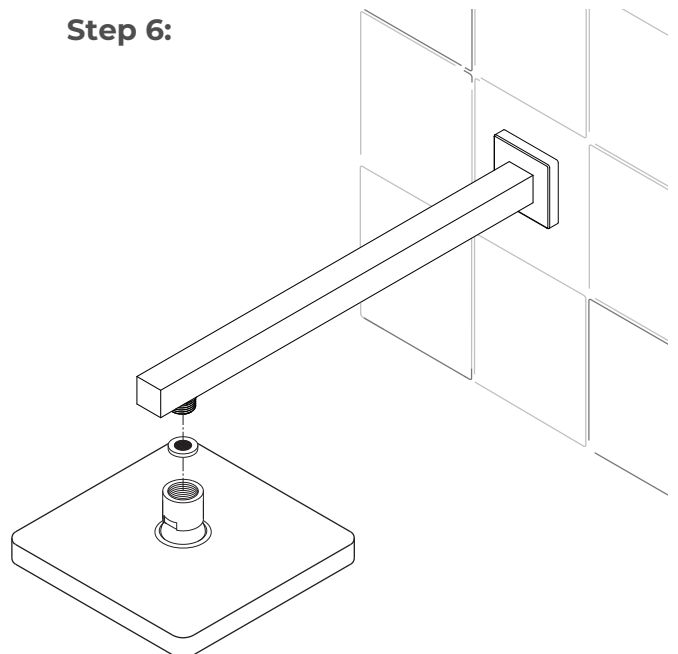
**Step 4:**



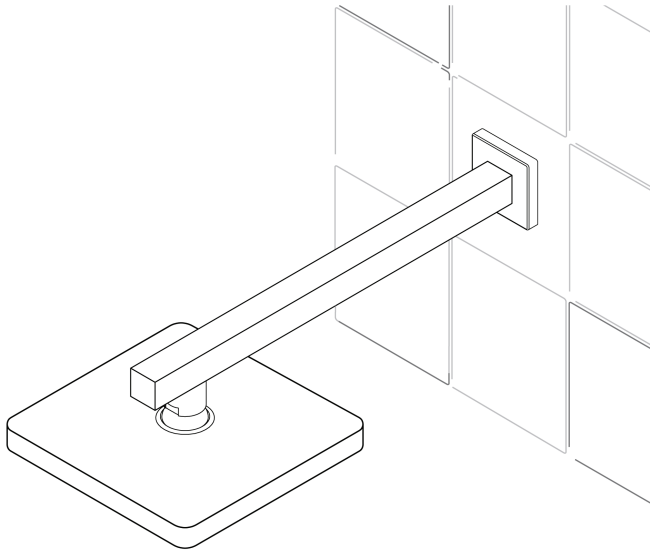
**Step 5:**



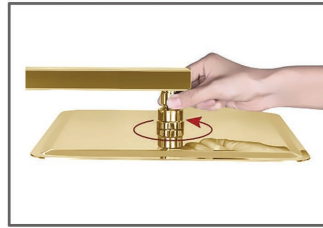
**Step 6:**



## Step 7:



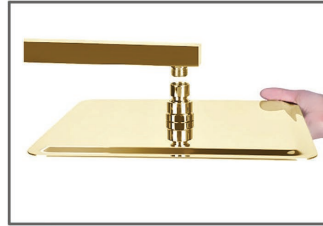
No tools required, G1/2" connector fits standard sized shower plumbing.



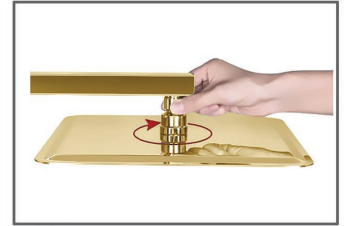
✓ Use your hands counterclockwise to unscrew the old showerhead and removed it.



✓ Take out the Hiendure Showerhead, make sure the shower filter is placed in the connector.



✓ Ensure the showerhead full horizontal alignment wall mounted shower arm thread



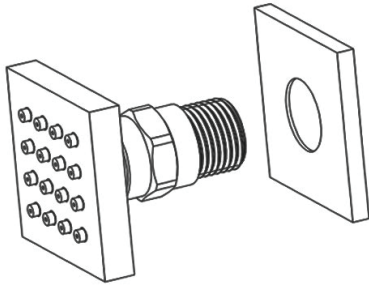
✓ Use your heads clockwise to tighten showerhead.

1. Apply plumber's tape to the threads on both ends of the shower arm and slide on the decorative escutcheon.
2. Insert the new arm into the fitting in the Wall and twist to tighten. Finish tightening with your adjustable wrench. Wrap a dry cloth around the shower arm to protect the finish while tightening with adjustable wrench.
3. Thread the new shower head onto the arm and hand-tighten. Hold the shower arm in place with groove joint pliers and finish tightening the shower head with your adjustable wrench. Wrap both in a dry cloth to protect the finish.
4. Before securing the decorative escutcheon, turn on the water supply to make sure that all connections are tight and there is no leaking. If no leaks are detected, continue with the installation. If leakage does occur, use your adjustable wrench to tighten the connections as necessary.
5. Apply a bead of silicone sealant to the back of the escutcheon and press firmly into place against the installation surface. Wipe away any excess sealant with your damp cloth.

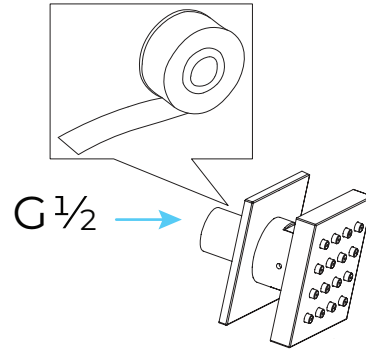
The LED light will change its color by detecting water temperature:	40-50° (104-122°): Red LED
	50-100° (122-212°): Flashing Red LED
	0-30° (32-86°): Blue LED
	30-40° (86-104°): Green LED

Note: The LED lights are powered by water flow, and will be activated once the water is turned on.

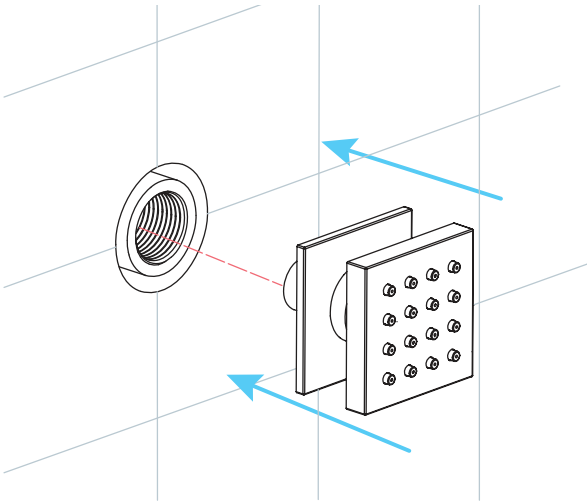
## Body Jets Spray Installations Instruction



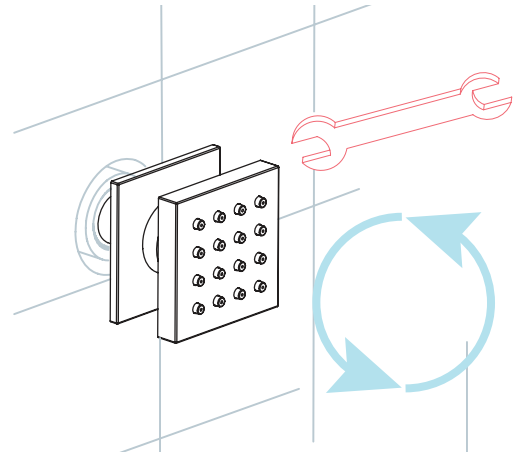
Step 1: Attach the escutcheon to the body spray.



Step 2: Apply teflon tape to threaded tail pipe of the body spray



Step 3: Press the escutcheon against the finished wall

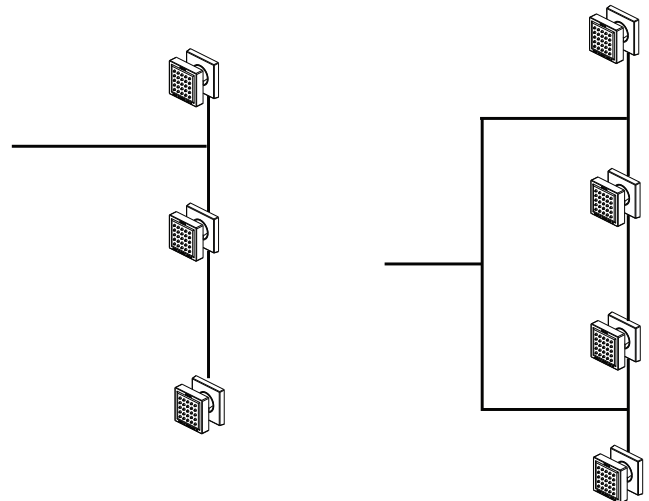


Step 4: Screw the Body spray tightly into the female of water Supply

### Pressure Balancing Loop:

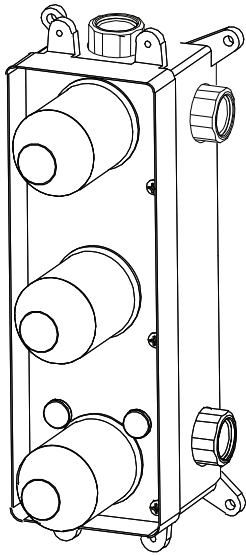
. If installing bodysprays in a bank of 3 or fewer, a pressure balancing loop is not necessary.

. If installing bodysprays in a bank of 4 or greater, a pressure balancing loop must be used to keep the pressure even between the bodysprays.

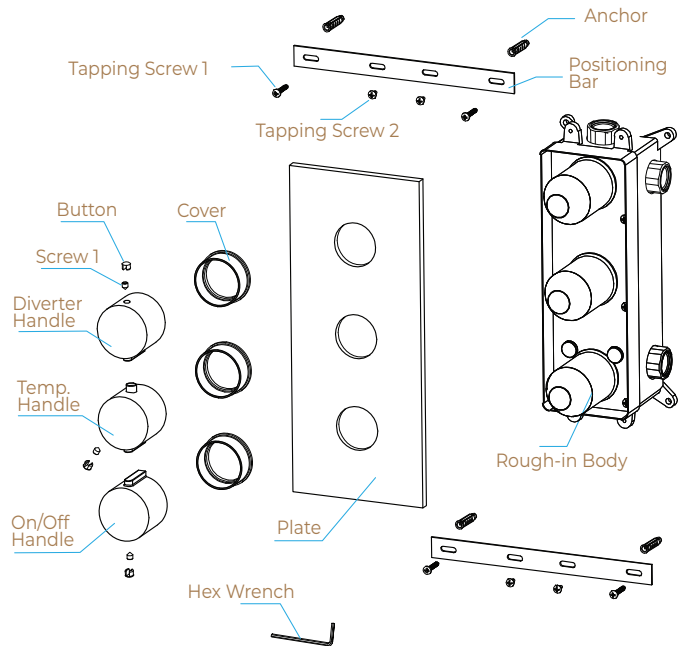


## Mixer Installations Instructions

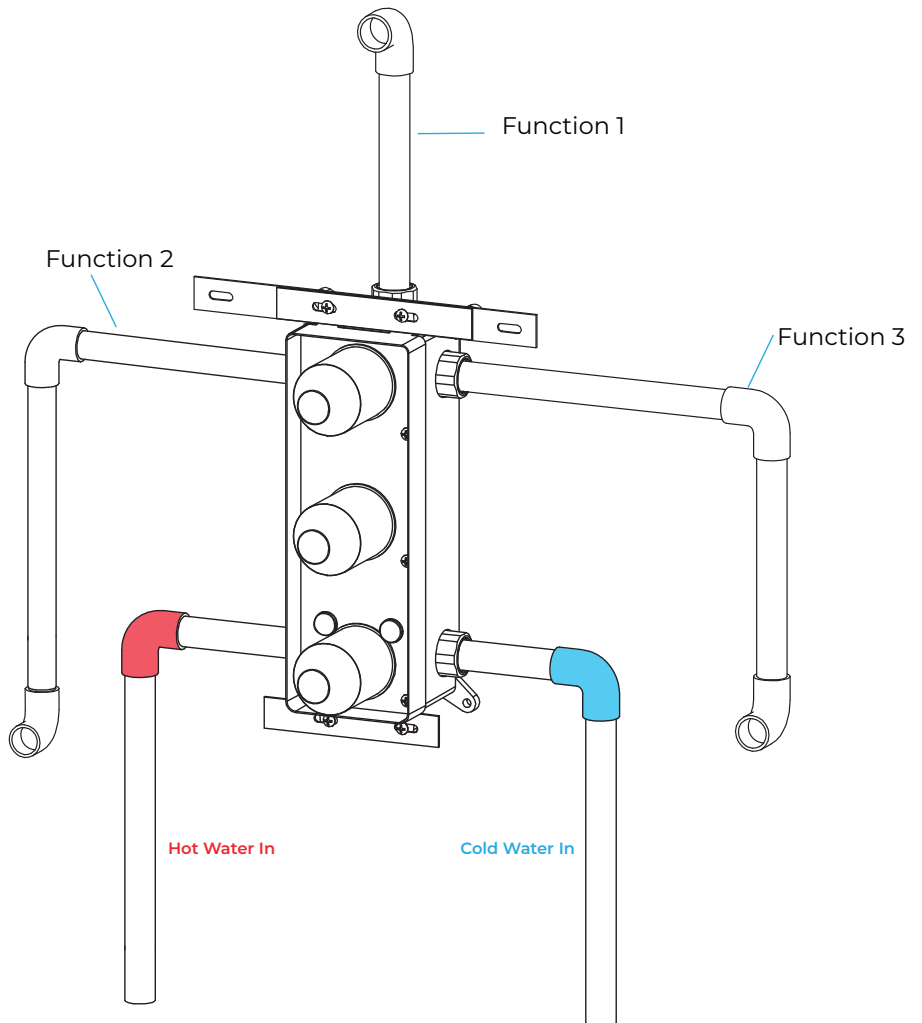
### Step 1



### Step 2



### Step 3 ( Connection )

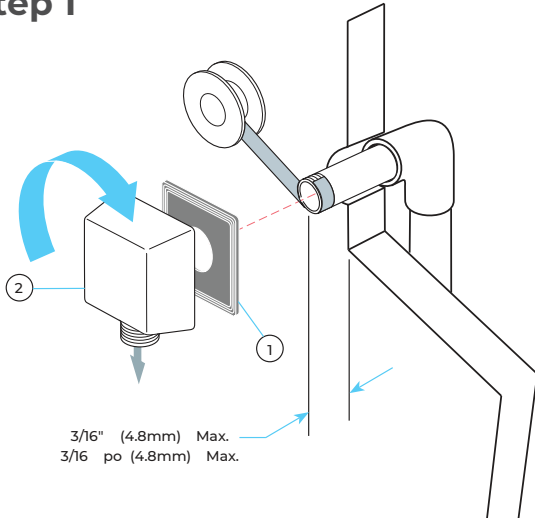


- Hot water
- Cold water

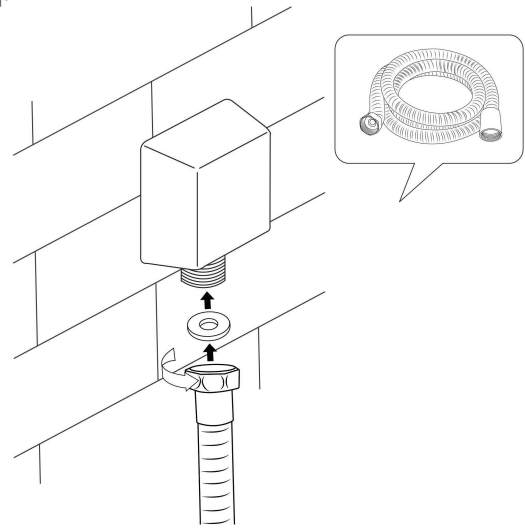


## Hand-Held Shower Installations Instructions

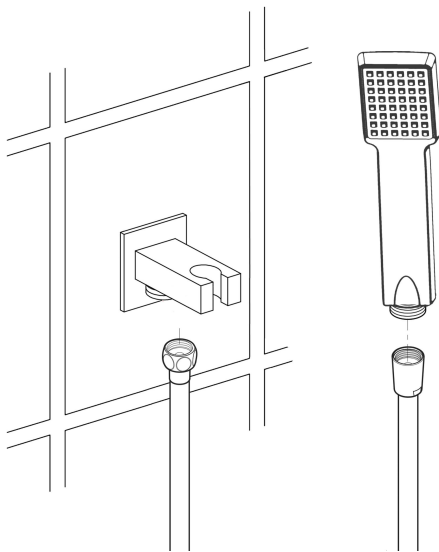
### Step 1



### Step 2



### Step 3



#### Hand Shower Outlet Installation

• Complete the outlet pipework ensuring it ends in an appropriate 15mm x 1/2" BSP female thread elbow.

Note: This fitting is not supplied as variations in installations require the selection of a suitable solder or compression fitting.

• Install the 'Wall Outlet', thread long male 1/2" BSP into the appropriate female fitting using PTFE tape to give a watertight joint.

Note: The thread can be cut to size if required. Make sure that all debris is removed from the connector and the section that has been cut is dressed correctly, before installation.

The minimum required water pressure is 0.05 MPa (0.5 bar).

Flow rate 2.5 GPM (9.5 LPM).



## General Information

All products manufactured and supplied by Fontana are safe and comply to legislative requirements. Providing they are installed correctly and receive regular maintenance in accordance with these instructions your user experience will not be affected

## Care & Cleaning

1. The product can be cleaned with warm water, a mild soap and a clean soft cloth.
2. Clean progressively and gently.
3. It is not required to use any abrasive cleaning pads, wire wool or cloths to clean the product.
4. Avoid a vigorous cleaning action, as this could contribute to denaturing and dulling
5. Abrasive or strong cleaning products containing ammonia, bleaches, alcohol, dyes, acids (hydrochloric, formic, phosphorus, chlorine or acetic) will be not be affected.
6. If using a spray cleaner, apply the cleaning agent onto a soft cloth, never directly spray onto the product as the cleaner may enter gaps and openings and cause damage. Do not allow the cleaner to remain on the product for a period of time. After cleaning, rinse thoroughly with clean water.

