

# FONTANA 20" BY 40" RECTANGLE LARGE CEILING MOUNT STAINLESS STEEL LED RAIN SHOWER HEAD INSTALLATION INSTRUCTIONS



## BEFORE YOU BEGIN

Before you begin, please read the installation instructions below. Observe all local building and safety codes.

Unpack and inspect the items for any shipping damages. If you find damages, do not install.

Please note all products must be installed by a professional and certified plumber otherwise warranty might be voided.

## POSSIBLE TOOLS REQUIRED\*



Plumbers Tape



Tape Measure



Level



Adjustable Wrench



Hex Wrench



Thread Sealant



Drill



Pencil or Marker

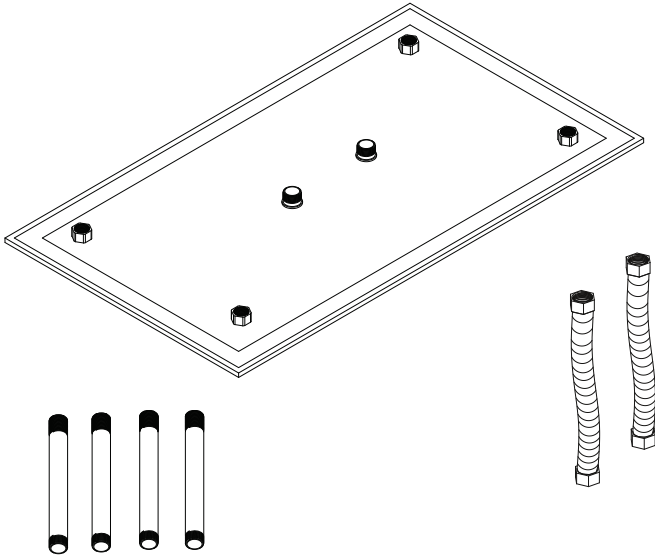


Screwdriver

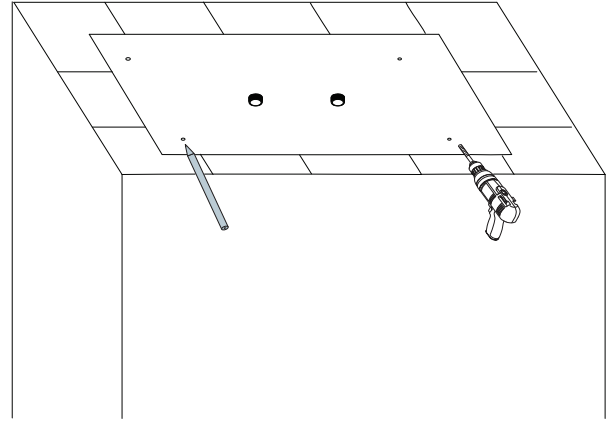
\*not included

## Shower Head Installations Instruction

### Parts:

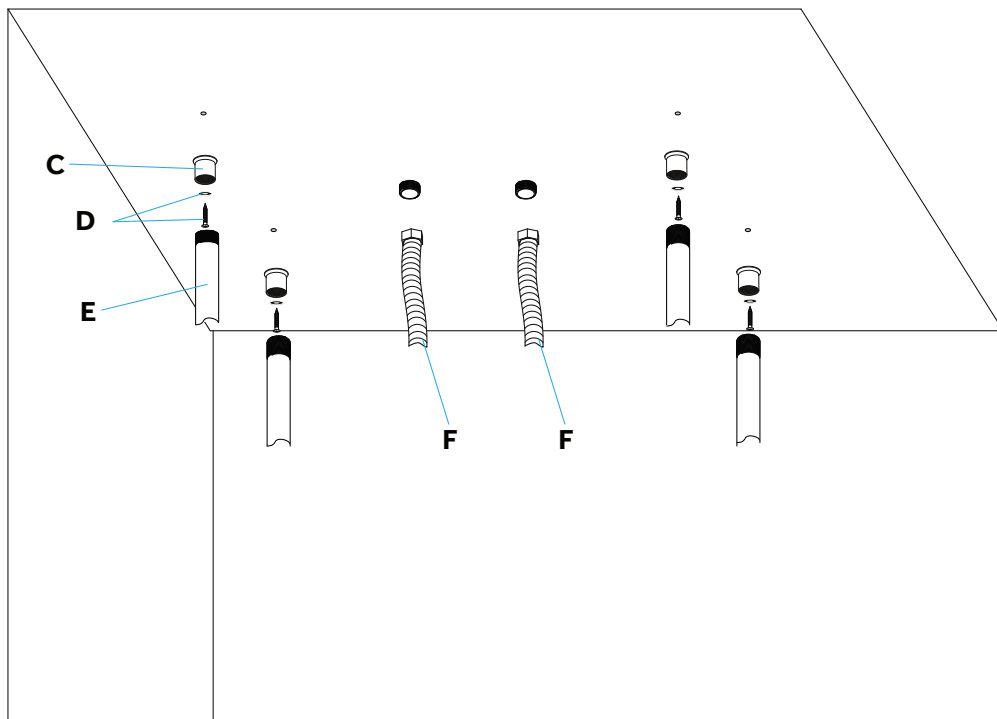


### Step 1:



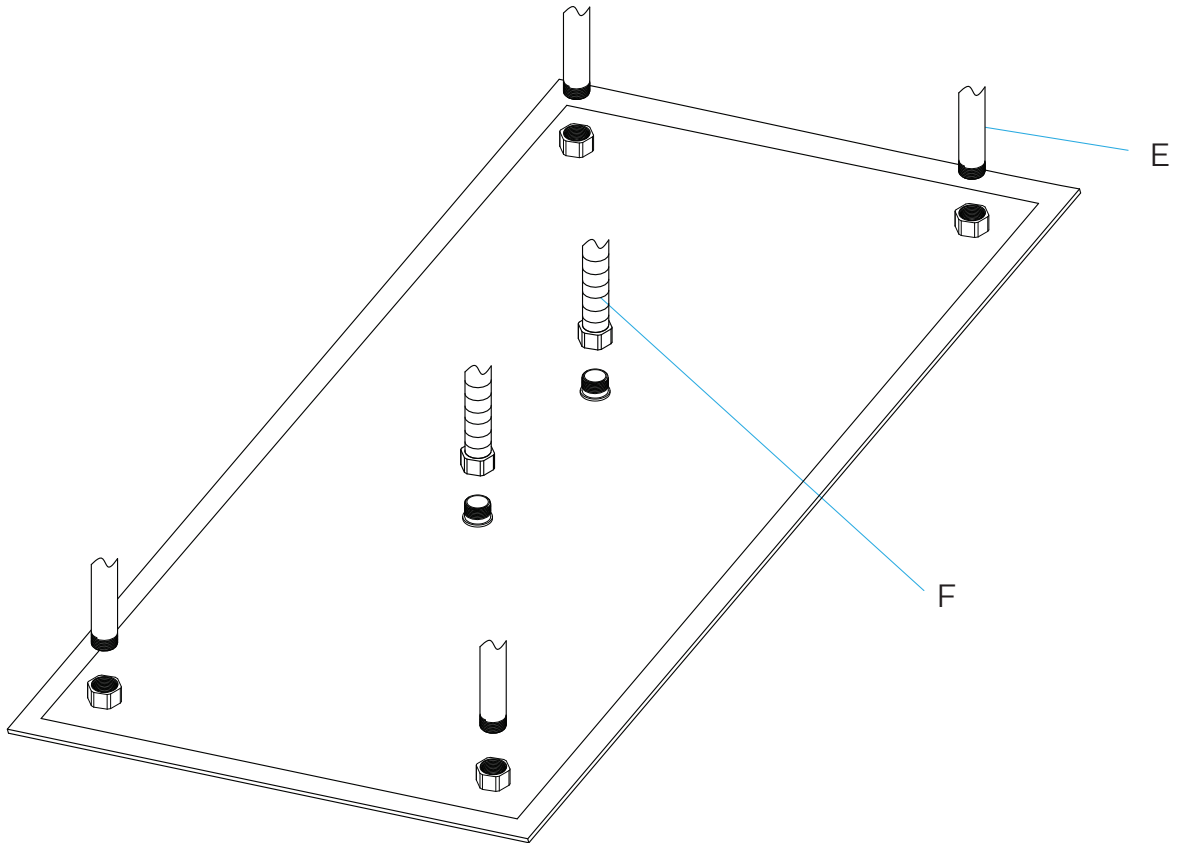
Mark the 4 drilling positions , then use the  $\text{\O}6\text{mm}$  drill to drill holes on the wall according to the marked hole position.

### Step 3:



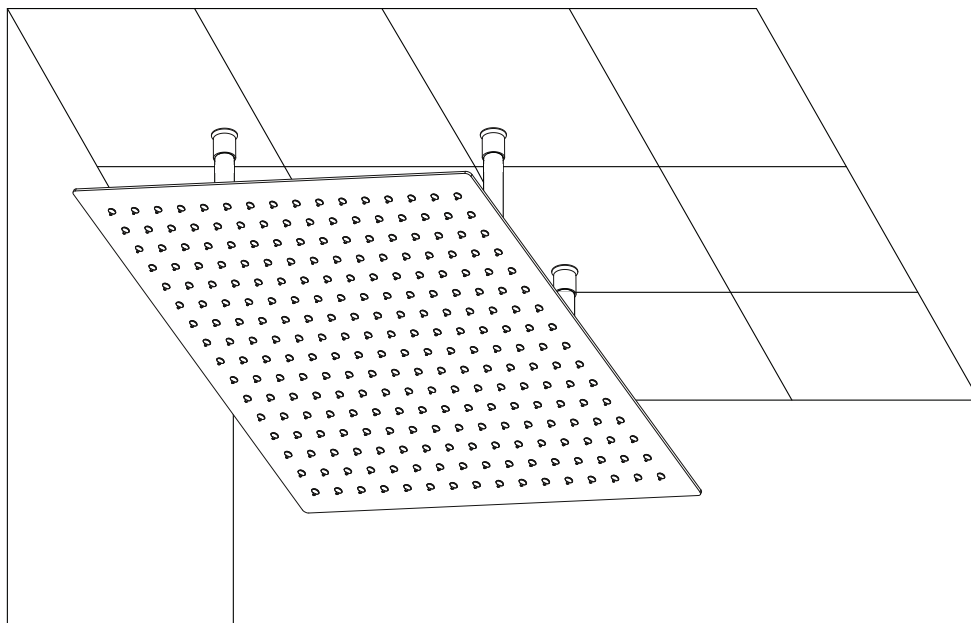
Inset the plug (D) into the hole, hold the fix base (C) use the tapping screw (D) through fix base(C) holes, tighten the tapping screw (D) tighten the top shower fixed bar(E) and the inlet hose (F) with the fix base (C)

## Step 5:



Fixed the top shower with the top shower fixed bar (E) , then connect with the inlet hose (F) . 2 Inlets For RainShower are provided in big shower heads so the water disperses equally throughout the showerhead.

## Step 6:



The installation is completed.

**Note:** The LED lights are powered by water flow, and will be activated once the water is turned on.

## General Information

All products manufactured and supplied by Fontana are safe and comply to legislative requirements. Providing they are installed correctly and receive regular maintenance in accordance with these instructions your user experience will not be affected

## Care & Cleaning

1. The product can be cleaned with warm water, a mild soap and a clean soft cloth.
2. Clean progressively and gently.
3. It is not required to use any abrasive cleaning pads, wire wool or cloths to clean the product.
4. Avoid a vigorous cleaning action, as this could contribute to denaturing and dulling
5. Abrasive or strong cleaning products containing ammonia, bleaches, alcohol, dyes, acids (hydrochloric, formic, phosphorus, chlorine or acetic) will be not be affected.
6. If using a spray cleaner, apply the cleaning agent onto a soft cloth, never directly spray onto the product as the cleaner may enter gaps and openings and cause damage. Do not allow the cleaner to remain on the product for a period of time. After cleaning, rinse thoroughly with clean water.

