

# FONTANA RENO DARK OIL RUBBED BRONZE 3 WAY DIGITAL SHOWER SYSTEM INSTALLATION INSTRUCTIONS



## BEFORE YOU BEGIN

Before you begin, please read the installation instructions below. Observe all local building and safety codes.

Unpack and inspect the items for any shipping damages. If you find damages, do not install.

Please note all products must be installed by a professional and certified plumber otherwise warranty might be voided.

## POSSIBLE TOOLS REQUIRED\*



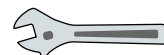
Plumbers Tape



Tape Measure



Level



Adjustable Wrench



Hex Wrench



Thread Sealant



Drill



Pencil or Marker

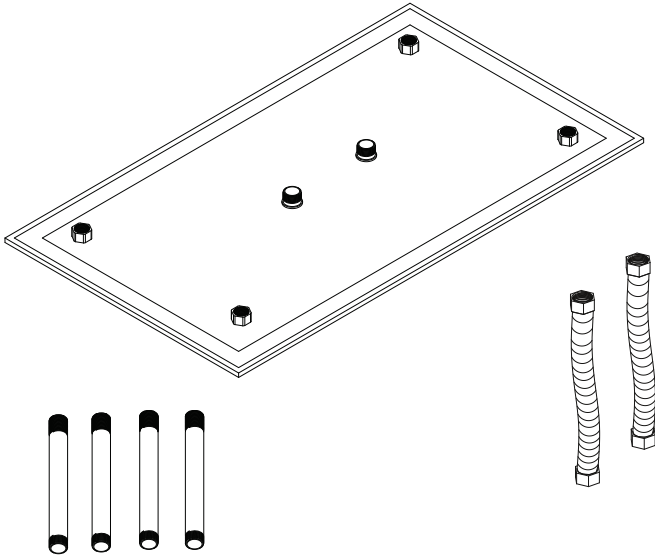


Screwdriver

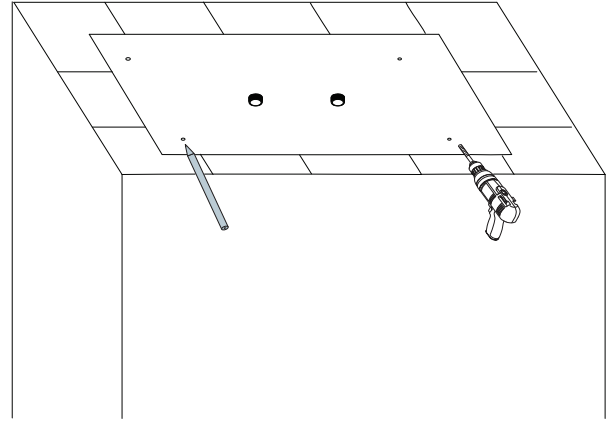
\*not included

## Shower Head Installations Instruction

### Parts:

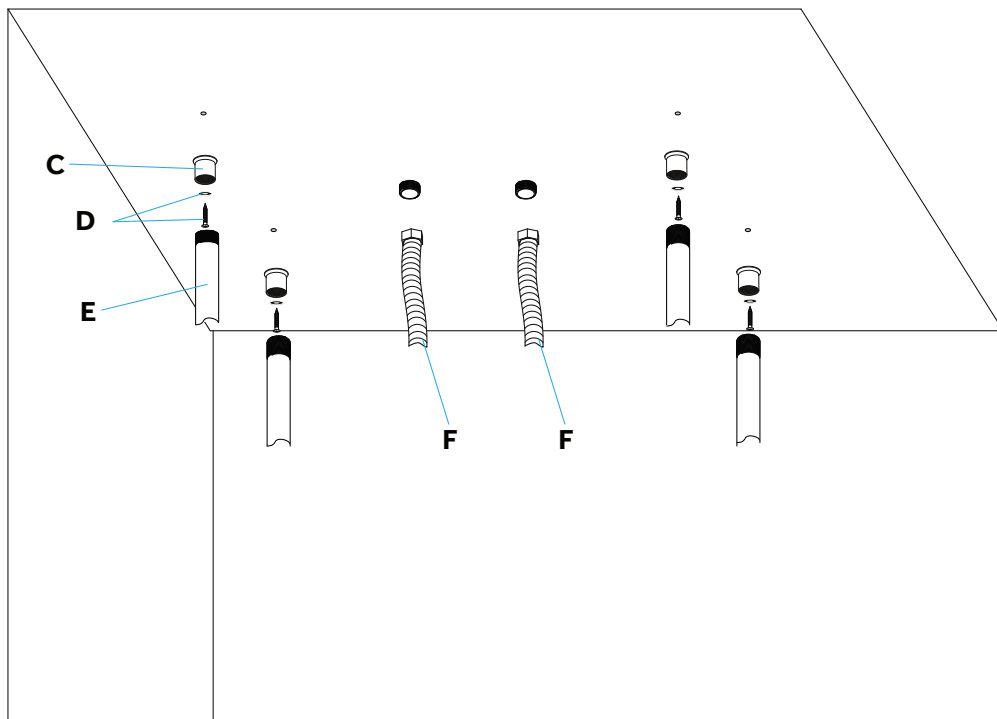


### Step 1:



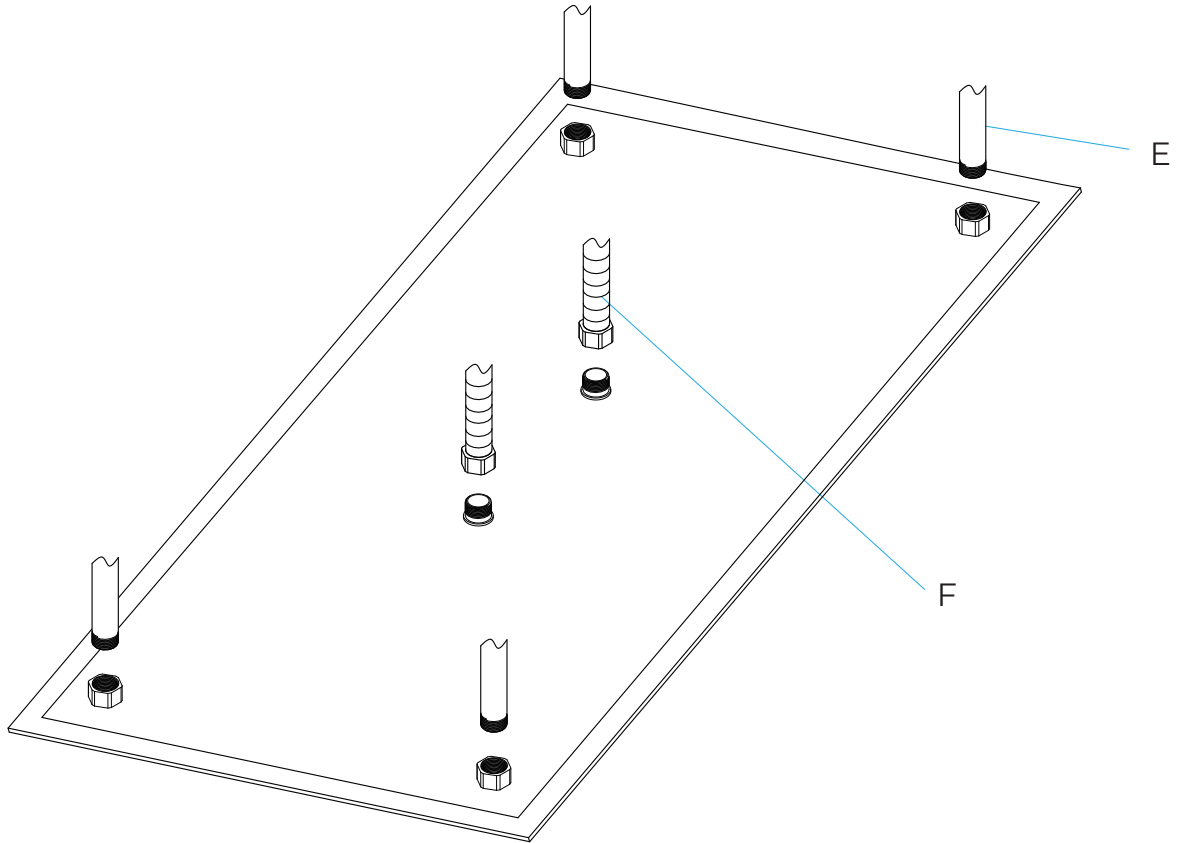
Mark the 4 drilling positions, then use the  $\text{\O}6\text{mm}$  drill to drill holes on the wall according to the marked hole position.

### Step 3:



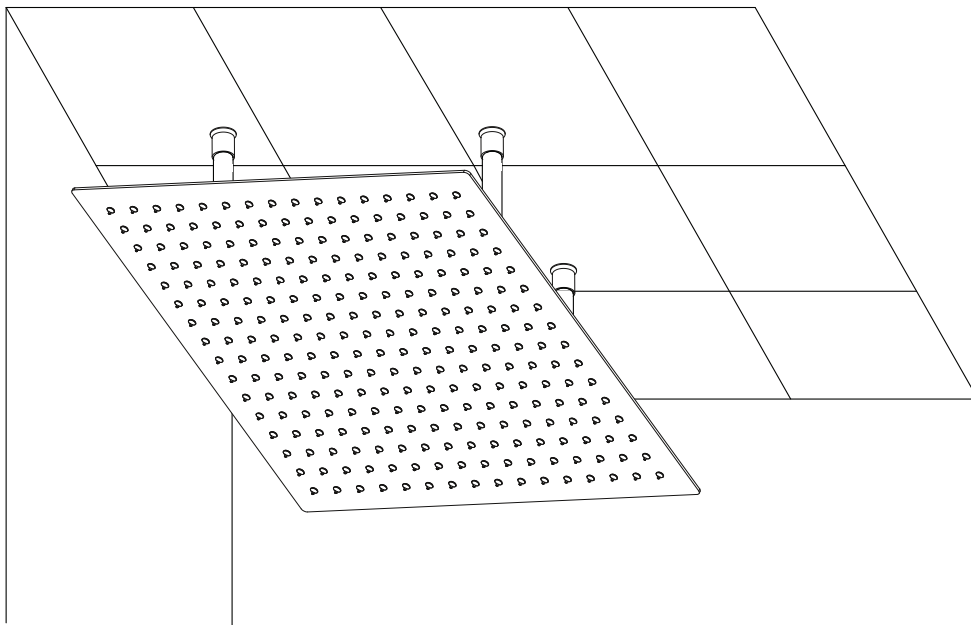
Inset the plug (D) into the hole, hold the fix base (C) use the tapping screw (D) through fix base (C) holes, tighten the tapping screw (D) tighten the top shower fixed bar (E) and the inlet hose (F) with the fix base (C)

## Step 5:



Fixed the top shower with the top shower fixed bar (E) , then connect with the inlet hose (F) . 2 Inlets For RainShower are provided in big shower heads so the water disperses equally throughout the showerhead.

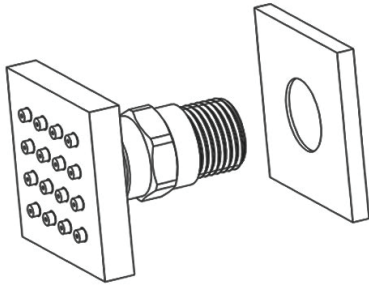
## Step 6:



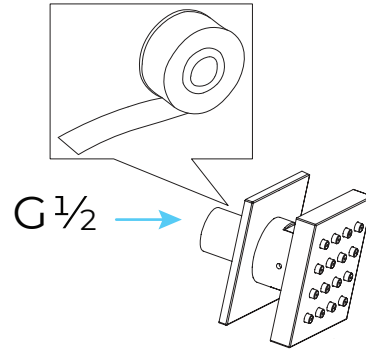
The installation is completed.

**Note:** The LED lights are powered by water flow, and will be activated once the water is turned on.

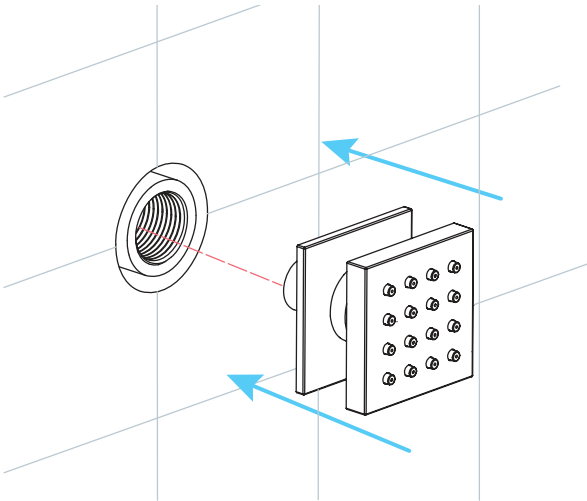
## Body Jets Spray Installations Instruction



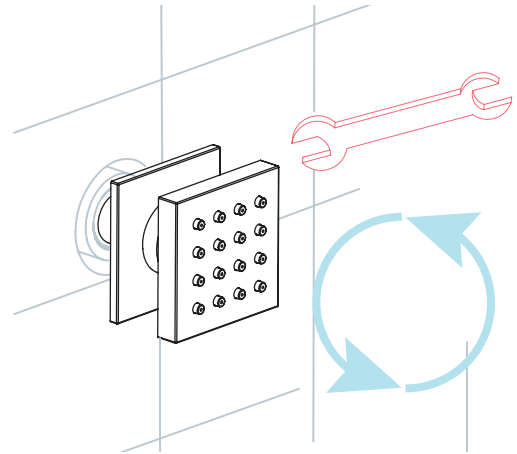
Step 1: Attach the escutcheon to the body spray.



Step 2: Apply teflon tape to threaded tail pipe of the body spray



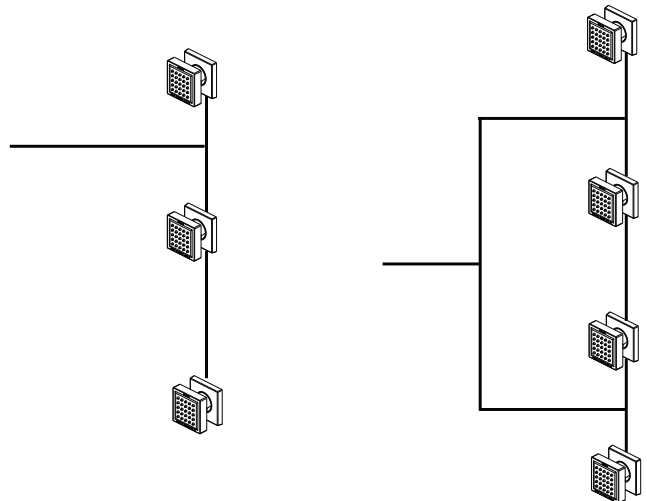
Step 3: Press the escutcheon against the finished wall



Step 4: Screw the Body spray tightly into the female of water Supply

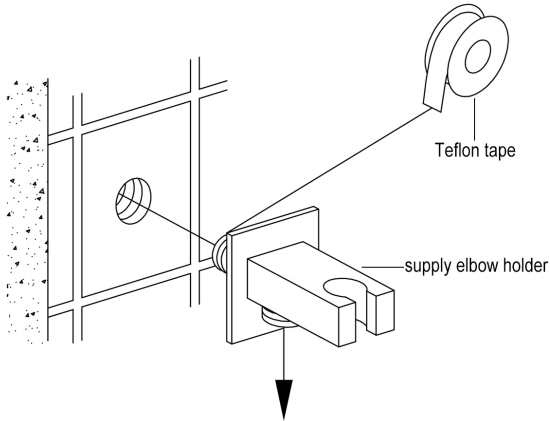
### Pressure Balancing Loop:

- . If installing bodysprays in a bank of 3 or fewer, a pressure balancing loop is not necessary.
- . If installing bodysprays in a bank of 4 or greater, a pressure balancing loop must be used to keep the pressure even between the bodysprays.

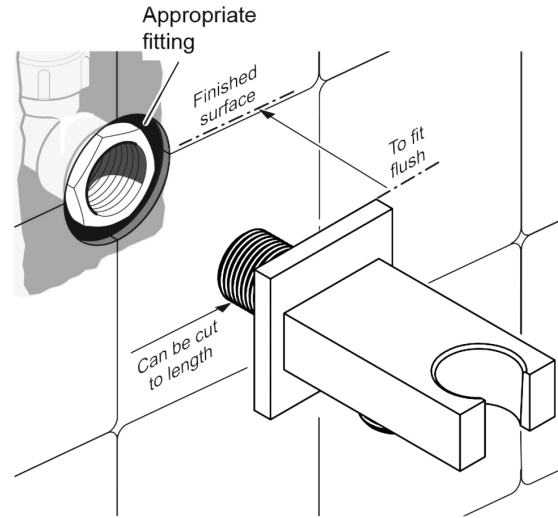


## Hand-Held Shower Installations Instructions

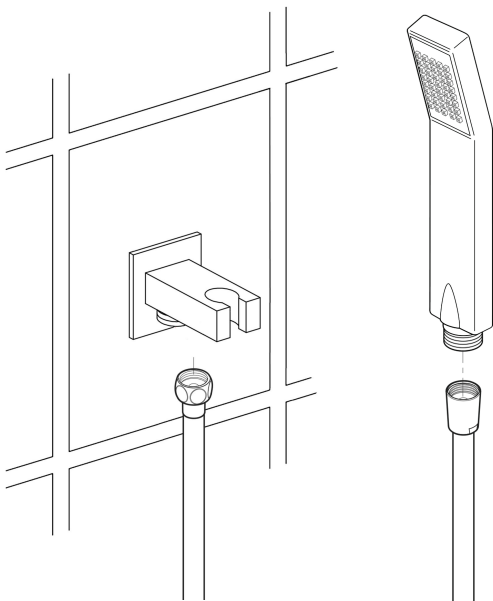
### Step 1



### Step 2



### Step 3



### Hand Shower Outlet Installation

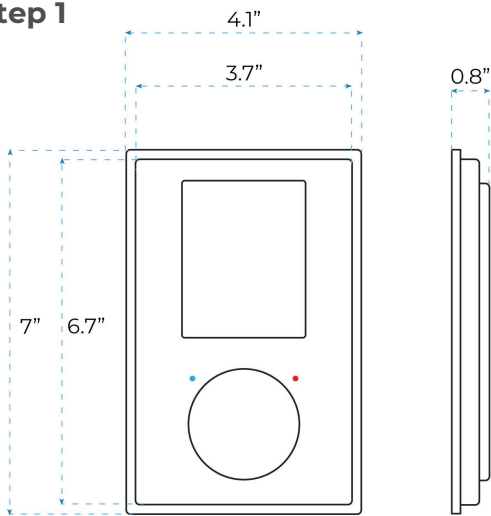
- Complete the outlet pipework ensuring it ends in an appropriate 15mm x 1/2" BSP female thread elbow. Note: This fitting is not supplied as variations in installations require the selection of a suitable solder or compression fitting.
- Install the 'Wall Outlet', thread long male 1/2" BSP into the appropriate female fitting using PTFE tape to give a watertight joint. Note: The thread can be cut to size if required. Make sure that all debris is removed from the connector and the section that has been cut is dressed correctly, before installation.

The minimum required water pressure is 0.05 MPa (0.5 bar).

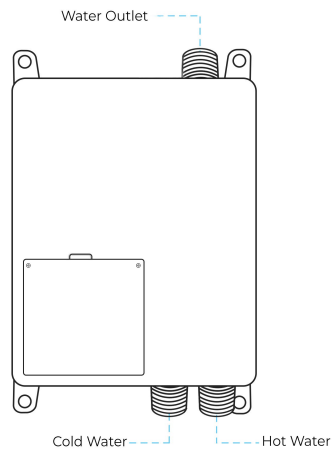
Flow rate 2.5 GPM (9.5 LPM).

## Digital Mixer 3 way Installations Instructions

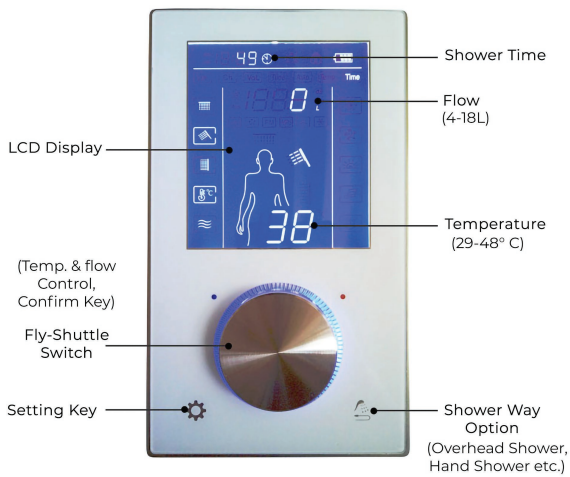
### Step 1



### Step 2



### Step 3



### Step 4



### Step 5

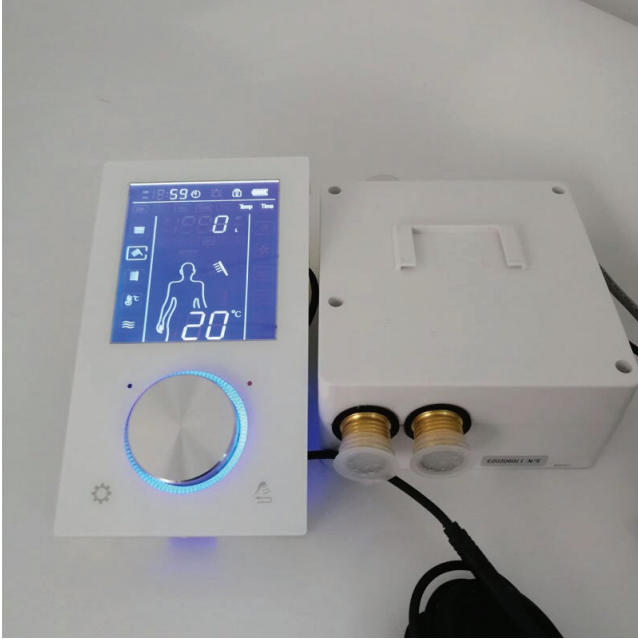


### Step 6





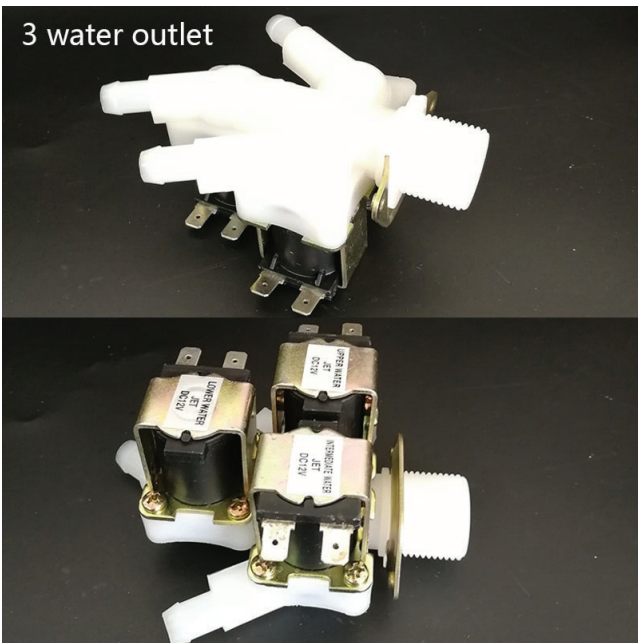
Step 7



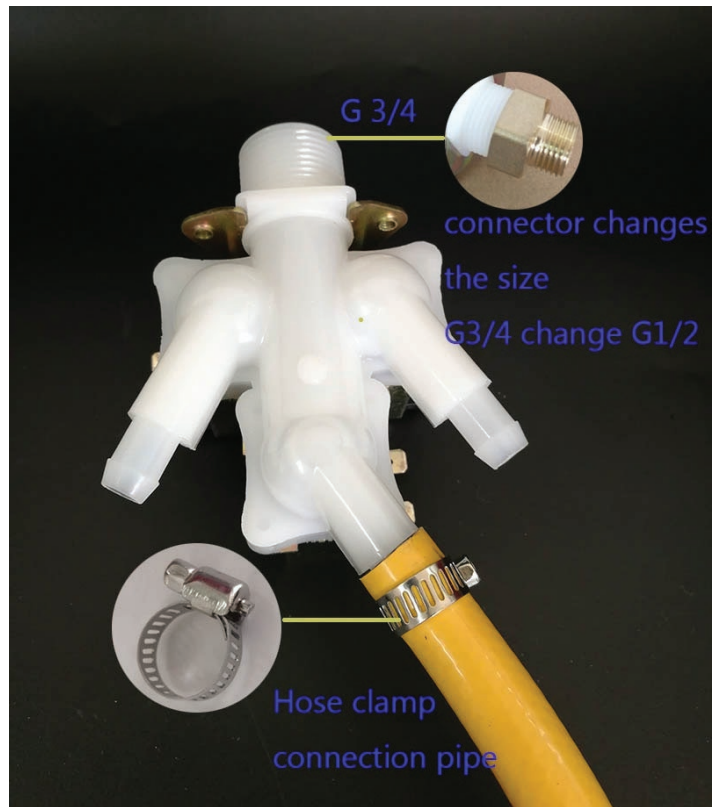
Step 8



Step 9

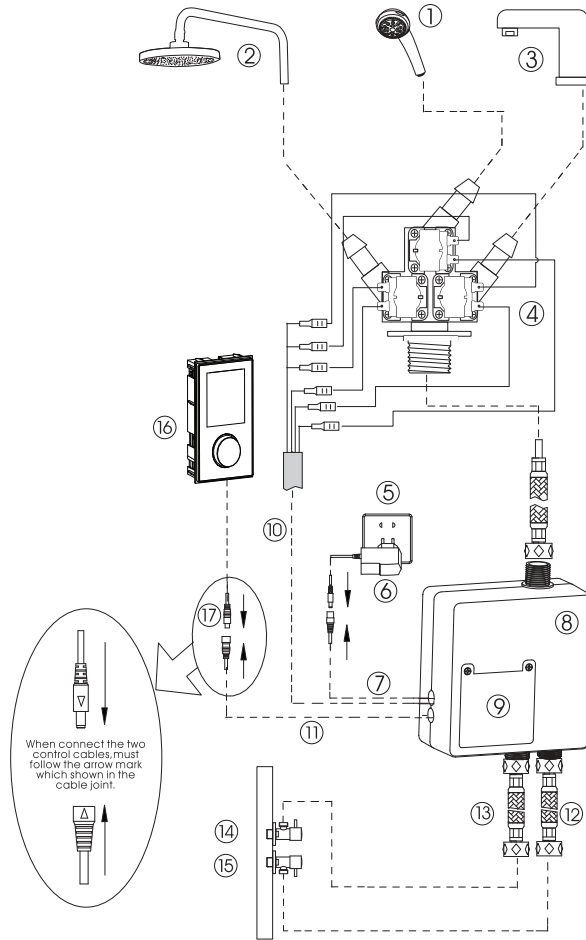


Step 10

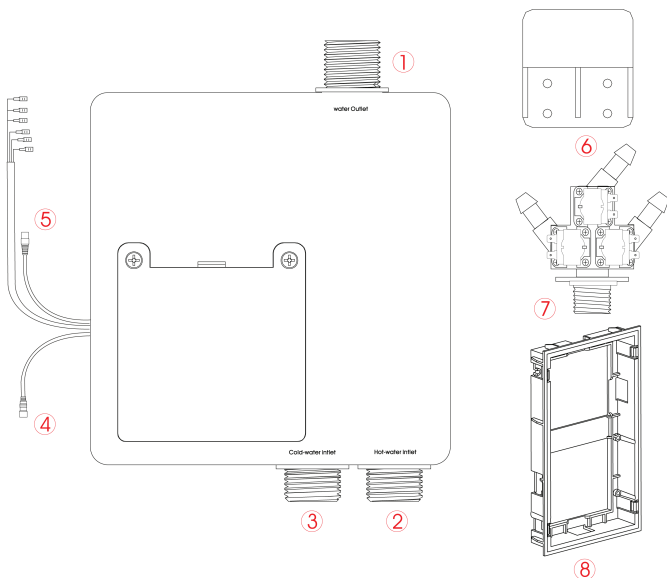


## Step 11

- ① Hand shower
- ② Head shower
- ③ Other water outlet parts
- ④ 3ways water outlet valve
- ⑤ AC220V plug seat
- ⑥ Power adapter
- ⑦ Power supply cable of the host box
- ⑧ Host box
- ⑨ Battery cover
- ⑩ Spray control cable
- ⑪ Control cable of the host box
- ⑫ Hot water inlet
- ⑬ Cold water inlet
- ⑭ Cold water switch
- ⑮ Hot water switch from water heater
- ⑯ Control panel
- ⑰ Control panel's control cable



## Step 12



## Step 13



- ① Fly-shuttle switch
- ② Setting button
- ③ Spray button
- ④ LCD display

- 1. Hand Shower's Mixer Water Outlet
- 2. Hot Water Inlet
- 3. Cold Water Inlet
- 4 & 5. The Control Cable
- 6. The Host Box Installation Bracket
- 7. 3 Way Water Outlet Valve
- 8. The Control Panel Installation Bracket

- 1. Fly-Shuttle Switch
- 2. Setting
- 3. Spray Button
- 4. LCD Display



## Features

Touch Control Panel - With The Touch Control Panel, Easy To Use.

Digital Thermostat - Keep Outlet Water TEMP Stable, The TEMP Accuracy Within  $\pm 1^{\circ}\text{C}$ .

Overheat Protection - When The Cold Water Cut Off And Leads The Water TEMP Over  $49^{\circ}\text{C}$ , The System Will Stop The Water Outlet In 2 Seconds To Protect The User From Hot Water.

Water TEMP Adjust - You Can Set The Water TEMP As You Like With The TEMP Setting Button, And The Control Panel Can Show The Ambient TEMP. The User Can Set The TEMP As Needed, According To The Personal Hobby, Health Situation, Different Season.

Water-Saving - You Can Adjust The Water Flow And Working Time As You Like, The System Will Shut Off Automatically After The Countdown Time Is Up To Save Water.

Double Power Supply, More Safety And Reliable - When The Local Power Supply Is Normal, You Could Use Our Adapter, Which Can Transfer 100-240V To 12V Power Supply. 12V Is A Safe Voltage For The Human Body; When Local Power Cut Off By Accident, The System Still Works By A Battery Inside The Host Box Automatically.

Easy Installation - Our Faucet Is Made Of Brass, Chrome Polished, Equipped With An Installation Base And Standard Pipe Connector, Easy For Installation. It's Compact Structure, Beautiful-Looking, Harmony With The Modern Decoration Of The Bathroom.

## Notice

1. The Control Panel Is Sensitive, When Installing It, Please Avoid To Let It Face Directly To The Water From The Hand Shower And The Head Shower, Because Water Will Get It Misoperation Or Lock The Control Panel.

2. The Touch Button Is The Best Sensitive Area.

3. The Touch Panel Has Water Splash Protection Technology. When The System Detects Misoperation, No Response And Need About 1 Second To Recover.

## Function

1. Water TEMP Adjust 2. Hand Shower 3. Shower Head 4. Water Flow Adjust

## Operation

1. Power On/Off

### Power On

A. After Electrify (The Battery Without Electricity Or Not Install Battery), Press The Fly-Shuttle Switch, Power On And Switch On The Head Shower Automatically, Adjust The Thermostatic Temp Function. When You Hear Buzzer Sound, The Fly-Shuttle Switch And LCD Display Would Be Lighting.

B. After Electrify (The Battery With Electricity), Press The Fly-Shuttle Switch In 20 Minutes From Last Time Turn It Off. When Power On, Open The Last Time Spray Mode And TEMP Adjustable Function (Cold Water Or Thermostatic Function); If Press The Fly-Shuttle Switch From More Than 20 Minutes From Last Time Turn It Off, Power On And Open The Head Spray And TEMP Adjustable Function At The Same Time. You Could Hear Buzzer Sound, The Fly-Shuttle Switch And LCD Display Would Be Lighting.

C. When System Is On, Water TEMP And Water Flow Will Be Same As That You Set Last Time. Head Shower (Or Hand Shower) Shows Cursor And Icon.

D. If You Didn't Set Working Time, Default Working Time Is 60 Minutes.

### Power Off

A. When System Is On, Press The Fly-Shuttle Switch To Power Off System, You Can Hear Buzzer Sound.

B. The System Will Switch Off Automatically When Working Time Comes Up.




## Hand Shower And Head Shower Switch

When The System Is On, Press Spray Button On The Panel To Switch The Water Outlet Way Between The Shower Head, Hand Shower And Body Jet, Connections Are Optional, Can Connect To The Desired Shower Function. When Cursor And Frame Move To The Shower Head Icon, The Water Flows For Hand Shower Head. When Cursor And Frame Move To The Hand Shower Icon, Hand Shower Comes Water.

## Setting

When The System Is On, Rotate The Fly-Shuttle Switch To Adjust The Water Flow, Press The Setting Button To Adjust Water TEMP And Water Flow. Press The Setting Button And Keep For 3 Seconds To Set Working Time. System Will Restore To Adjust Water Flow If No Press Any Button For 5 Seconds.

## Water TEMP Adjust And Cold Water Mode



When System Is On, Touch Setting Button  To Enter Into TEMP Adjusting, Cursor And Frame Will Move To TEMP Cold Icon.  The  Icon On The LCD Panel Flash, At This Time You Could Set Water TEMP From 29-48 . Rotate The Fly-Shuttle To Adjust Water TEMP And You Can Hear Buzzer Sound For Each Step.

When The TEMP Is Lowest, Rotating The Fly-Shuttle Switch One Round Counter-Clockwise To Enter Into Cold Water Mode, Cursor And Frame Will Move To The Cold Water Icon. You Can Hear Buzzer Sound When System Enter Into Cold Water Mode. If You Rotate The Fly-Shuttle Switch One Round Clockwise, System Will Enter Into The Water TEMP Adjusting Again.

If There's No Touch On The Panel For 5 Seconds, Water TEMP Will Be Memory And Exit The Water TEMP Adjusting. Touch  Setting Button Again To Enter Into Water Flow Adjusting.  Icon On The LCD Panel Will Stop Flashing. The Fly-Shuttle Switch Backlight Color Will Change According To The Water TEMP As Below:



Blue Color: Water TEMP  $\leq 33$  °C Blue;  
Orange Color: Water TEMP  $< 41$  °C;  
Red Color:  $\geq 41$  °C.

## Setting System On Time

When System Is On, Touch Setting  Panel Switch To System On Setting, Show **Time**  Icon. Rotating The Fly-Shuttle To Setting System On Time, Counterclockwise Rotation Is To Reduce And Clockwise Rotation Is To Increase, Setting Range Is 15-60 Minutes. You Can Hear A Buzzer Sound For Each Adjustment.

Stop Setting For 5 Seconds Or Touch Setting  Button, System On Setting Time TEMP Will Be Memory And Exit System On-Time Setting, Switch To Water Flow Setting, Close Icon. **Time** .

## Water Flow

When System Is On, Rotating The Fly-Shuttle Switch To Adjust Water Flow By Default, If System On Other Setting State, Touching Setting Button  Can Switch To Water Flow Setting. Cursor And Frame Will Move To The Water Flow Icon  Icon On LCD Panel Flash, Setting Range Is 4-18L. Rotating The Fly-Shuttle Switch To Adjust Water Flow, Counter-Clockwise Rotating Is To Reduce Flow And Clockwise Rotating Is To Increase Flow. You Can Hear A Buzzer Sound For Each Adjustment. When Water Flow Reaches The Lowest And Highest, No Buzzer Sound.

No Touch On Any Button For 5 Seconds, The Water Flow Value Will Be Saved. Or When You Touch Setting Button, Water Flow Value Will Be Saved And Switch To TEMP Adjusting.

## **Working Time Setting**

When System Is On, Keep Pressing Setting Button For 3 Seconds, System Will Enter Into The Working Time Setting Icon Time Will Be Shown On The LCD Panel. Rotating The Fly Shuttle Switch To Adjust The Working Time. The Time Range Is 15-60 Minutes. You Can Hear A Buzzer Sound For Each Adjusting. No Touch On Any Button For 5 Seconds Or Press Setting Button, Working Time Value Will Be Saved And Switch To TEMP Adjusting.

## **Count Down Display**

When System Is On, The LCD Panel Shows Count Down For 60 Minutes If The Head Shower Or Hand Shower Is Open.

## **Abnormal Alarm**

When Water TEMP Is Over 49 Celsius Degree, System Will Stop Working And No Water Outlet Automatically. You Could Hear 3 Times Of Buzzer Sound. And The LCD Panel Shows Error Code "EE".

## **Back Up Battery**

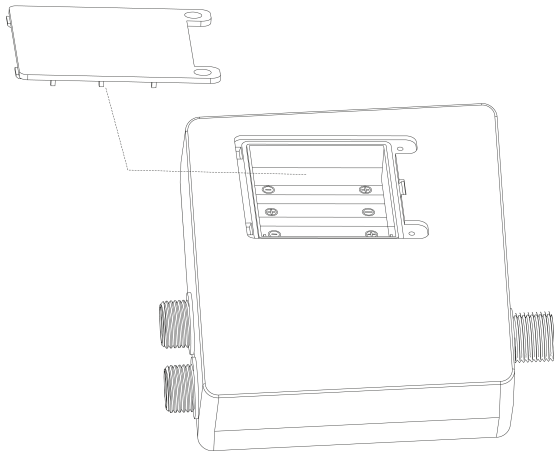
1) When System Working Based On Battery, LCD Panel Shows The Current Battery Status. When System Working By The Local Power Supply, And Battery Is Not Full, LCD Panel Shows Charging Status, Until The Battery Is Full.

2) When System Working Based On Battery, The Back-Light Of Fly-Shuttle Button And LCD Panel Would Become Dark To Save Energy.

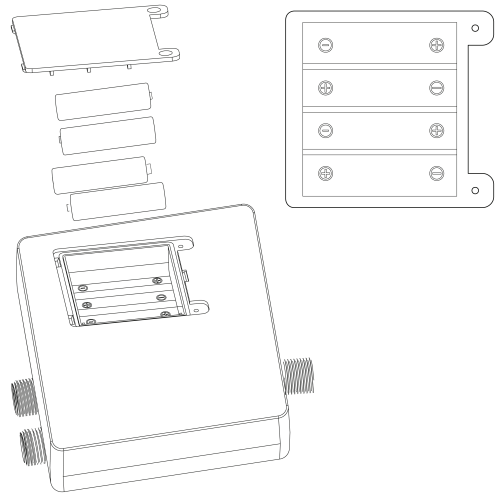
3) When System Working Based On Battery And Battery Almost Use Out, If System Is In Working State, System Will Shut Off Automatically.

There Are Two Kinds Of Installation Ways For The Shower Controller According To The Installation Site, One Way Is To Recess Mount Into The Wall. Another Way Is To Build Into The Shower Panel.

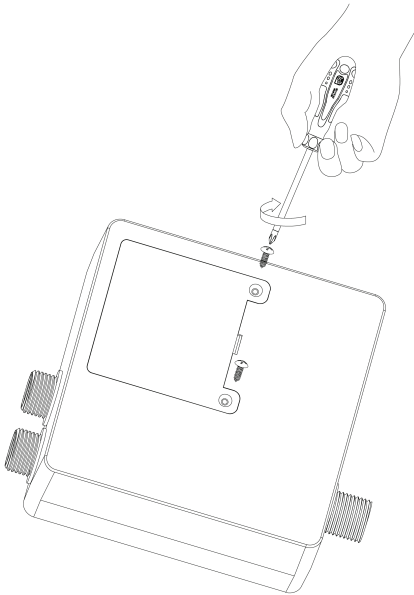
## Step 14 (Battery Installation)



## Step 15



## Step 16



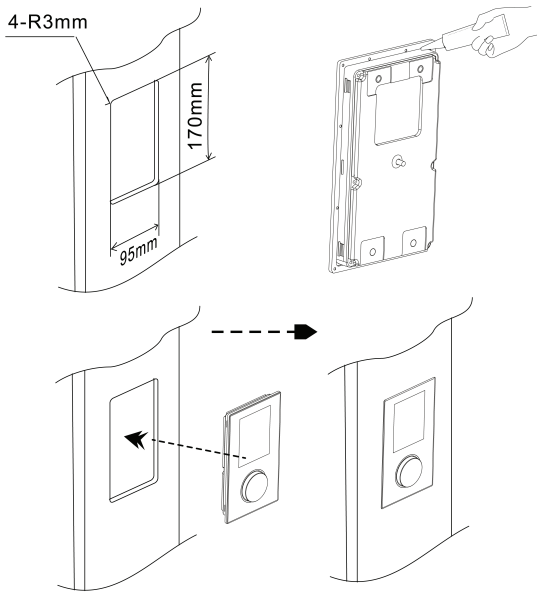
### Battery Installation

1. Loosen the screws on the battery cover and take it off.
2. Put 4 pcs rechargeable batteries into the battery slot of the host box.  
Attention: When putting the battery into the host box, you need to identify the anode and the cathode.
3. Insert the battery cover into the host box, and lock it with the screws.

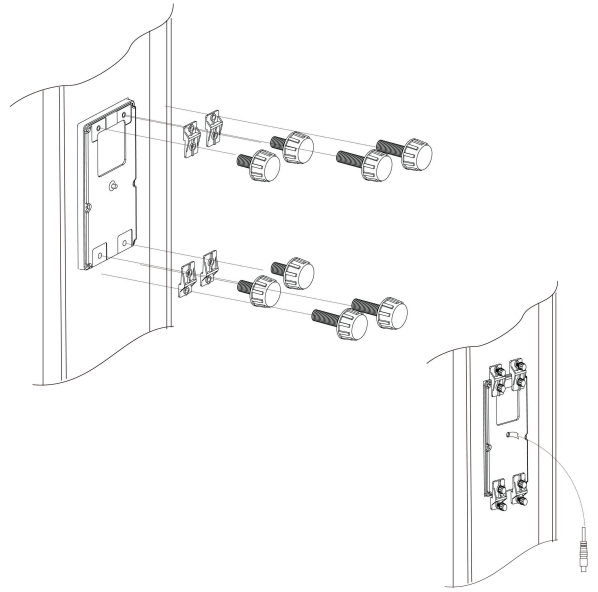
### Caution:

- Using rechargeable NI-MH battery (the 5#(AA) and the capacity is more than 1000mAh).
- After electrify, forbid using the normal 5#(AA) battery. Otherwise, would cause the battery explosion.
- When the power cuts, you can use the high quality normal 5#(AA) dry battery as the emergency measure. But you must unplug the adapter.
- When you install the host box, please put the battery into it. If the product hasn't connected with the power in a long time, please take out the battery from the host box. This way can avoid affecting the battery working life.
- If you want the battery with longer working life, you can charge the battery every some month.

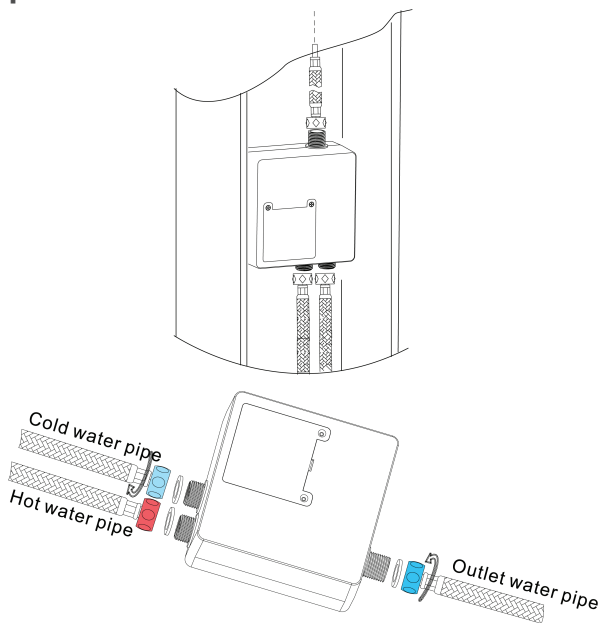
## Step 17 (Installation Of Control Panel)



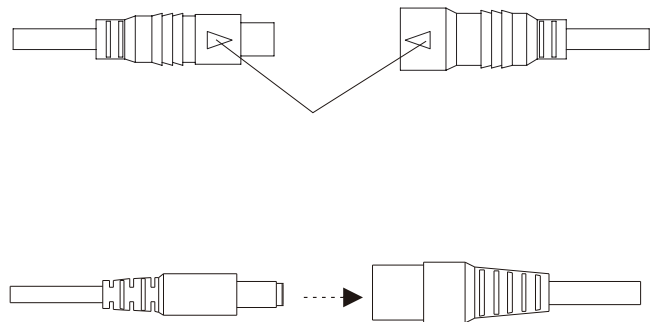
## Step 18



## Step 19



## Step 20



## Installation Of The Control Panel

### 1. Build The Control Panel Into The Shower Panel

Step 1: Open A Hole (6.7" X 3.7") On The Shower Panel, Putting Some Glass Cement Around The Back Of The Control Panel And Fit It In The Hole Of The Shower Panel As The Picture Shows.

Step 2: Fasten The Mounting Bracket Onto The Back Of The Control Panel By Screws.

Step 3: Install The Host Box On The Back Of The Shower Panel, Connect The Cold Water And Hot Water Pipe, Hand Shower, And Head Shower's Pipes.

1. Connect The G1/2" Hot And Cold Water Inlet Pipes To The Host Box, Tighten It And Make Sure Connection Is Well Sealed (As The Picture Showed).
2. Connect The G1/2" Water Inlet Pipe Of The Faucet To The Water Outlet Pipe Of The Host Box, Tighten It And Make Sure Connection Is Well Seated (As The Picture Is Shown).

**Caution:**

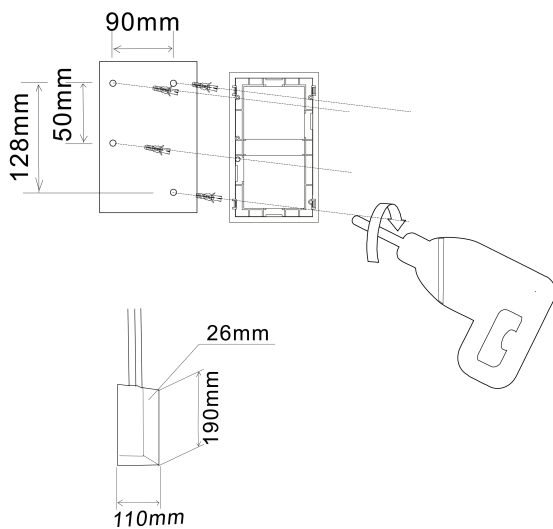
- When Installation, The Hot Water Pipe, And The Cold Water Pipe Cannot Mix Up. Otherwise, The System Cannot Work.
- When You Tighten The Connector Nut, Torque Should Not Exceed 8NM, GB 2.5NM Is OK, Otherwise, It Will Damage The Connector Of The Mixing Valve And Lead To Water Leaking.

Step 4: Connect The Host Box Control Cable With The Control Cable Of Shower Faucet As An Arrow Mark On The Picture.

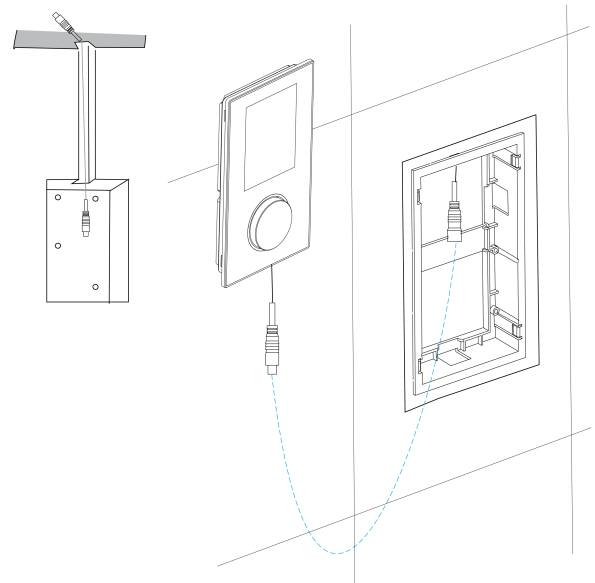
Caution: When Connecting The Two Control Cables, You Must Follow The Arrow Mark Which Is Shown In The Cable Joint. If Not, It Will Damage The Cable Joint.

Step 5: Connect The Power Supply Cable Of The Host Box With The Adapter.

**Step 21 (Recess Mounted Into The Wall)**



**Step 22**



**Recess Mounted Into The Wall**

A: The Installation Of Control Panel

Step 1: Open A Slot In The Wall For The Host Box, And Prepare The Cable Pipe For The Control Cable Of The Host Box.

Step 2: Drill Four Holes By 6mm Diameter On The Upside Hole For Install The Wall Bracket (As The Picture) And Put The Plastic Screw Into The Hole.

Step 3: Drill Four Holes By 8mm Diameter On The Downside Hole For The Host Box Installation And Put The Expansion Screws Into The Hole.

Step 4: Leading The Control Cable Plus From The Cable Slot And Fix It Before Mounting The Control Panel.



Step 5: Make Sure The Control Panel Bracket Is Concave The Wall Surface With 0.5-1mm Difference.

Step 6: Connect The Control Cable Between The Host Box And The Control Panel, Put Some Silicon On The Back Case Of The Control Panel And Put It On The Bracket Inside The Wall To Fasten It.

## B: The Installation Of The Host Box

1. Choose A Suitable Place As Mentioned Before, Fasten The Host Box On The Wall By 4pcs Holes Of The Host Box.

2. Shut Off The Cold Water And Hot Water Supply, Lead Cold And Hot Water Pipe From The Cold, Hot Water Supply To The Cold And Hot Water Inlet Of The Host Box.

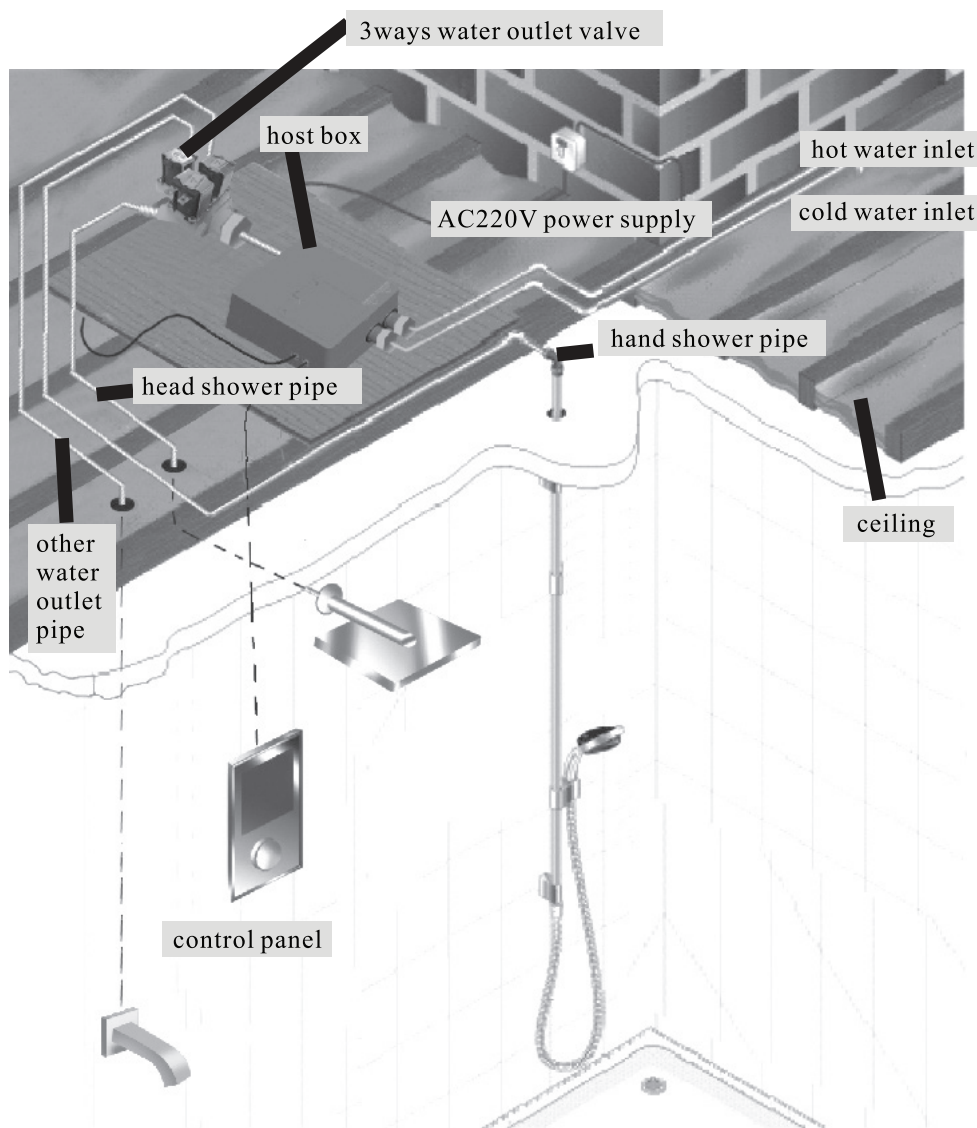
3. Connect The Head Shower And Hand Shower Pipe To The Marked Water Outlet Of The Host Box.

4. Connect The Power Adapter To The Power Cable Of The Host Box.

5. Connect The Control Cable Between The Control Panel And The Host Box.

6. Get AC220V Power Supply To The Power Adapter.

7. Switch On The Hot And Cold Water Supply, Make Sure All Water Pipe Connection Is Tighthen Before Using.



## General Information

All products manufactured and supplied by Fontana are safe and comply to legislative requirements. Providing they are installed correctly and receive regular maintenance in accordance with these instructions your user experience will not be affected

## Care & Cleaning

1. The product can be cleaned with warm water, a mild soap and a clean soft cloth.
2. Clean progressively and gently.
3. It is not required to use any abrasive cleaning pads, wire wool or cloths to clean the product.
4. Avoid a vigorous cleaning action, as this could contribute to denaturing and dulling
5. Abrasive or strong cleaning products containing ammonia, bleaches, alcohol, dyes, acids (hydrochloric, formic, phosphorus, chlorine or acetic) will be not be affected.
6. If using a spray cleaner, apply the cleaning agent onto a soft cloth, never directly spray onto the product as the cleaner may enter gaps and openings and cause damage. Do not allow the cleaner to remain on the product for a period of time. After cleaning, rinse thoroughly with clean water.

