

BRAVAT THERMOSTATIC DARK OIL RUBBED BRONZE WATERFALL & RAINFALL SHOWER SET INSTALLATION INSTRUCTIONS



PRIOR TO INSTALLATION

Please read installation instructions below. All plumbing should be installed in accordance with applicable building codes and regulations.

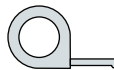
Unpack and inspect the items for any shipping damages. If you find damages, do not install.

All products must be installed by a professional and certified plumber otherwise warranty may be voided.

POSSIBLE TOOLS REQUIRED*



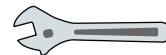
Plumbers Tape



Tape Measure



Level



Adjustable Wrench



Hex Wrench



Thread Sealant



Drill



Pencil or Marker

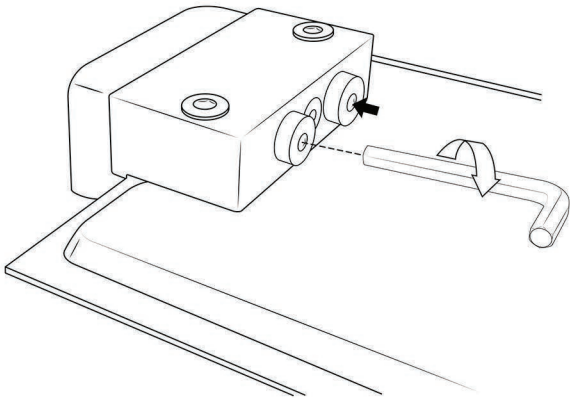


Screwdriver

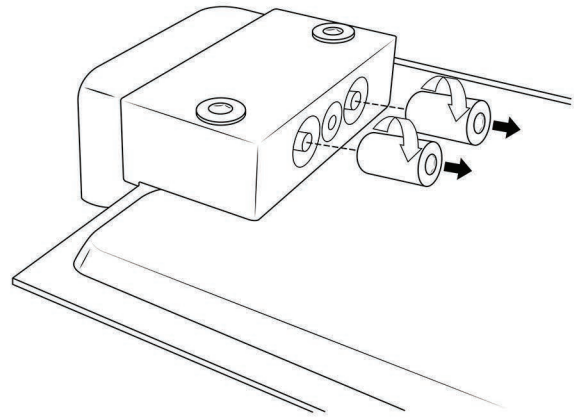
*not included

Shower Head Installations Instruction

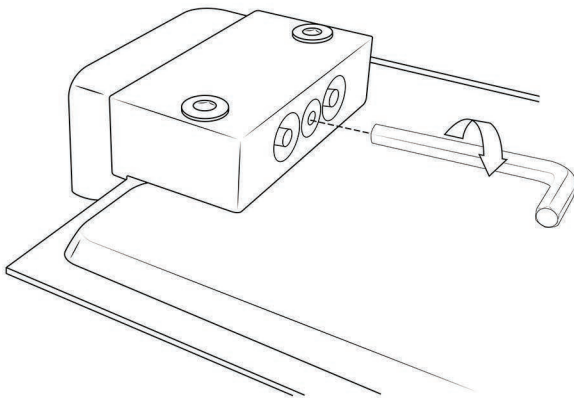
Step: 1



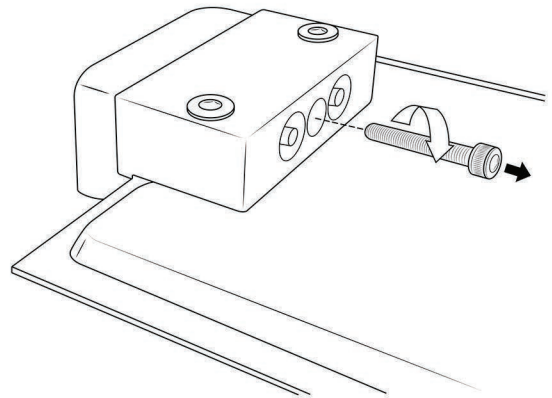
Step: 2



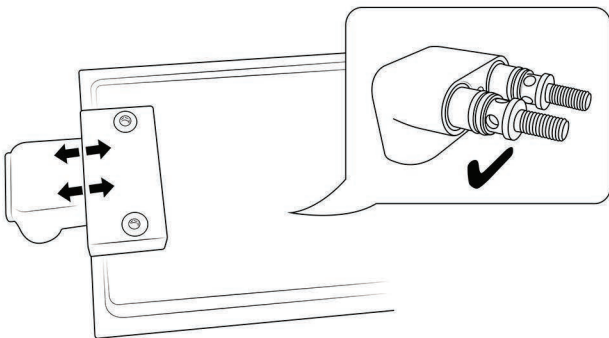
Step: 3



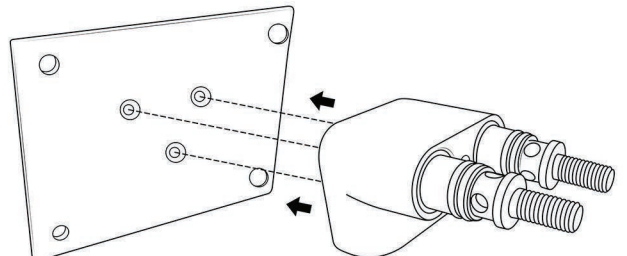
Step: 4



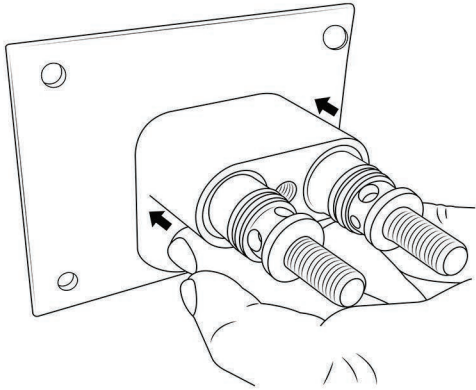
Step: 5



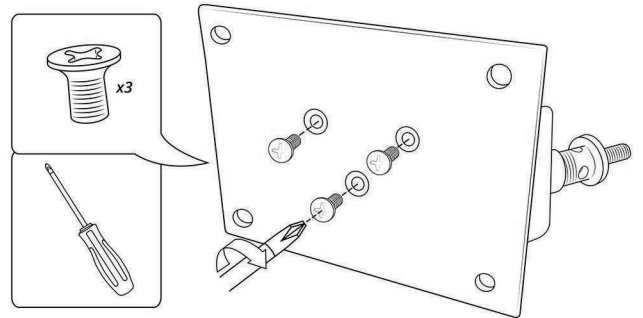
Step: 6



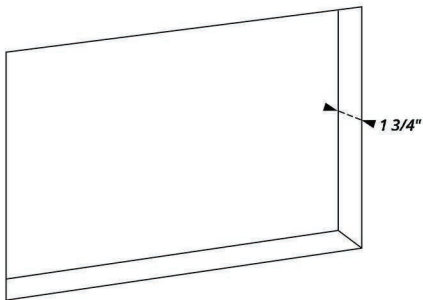
Step: 7



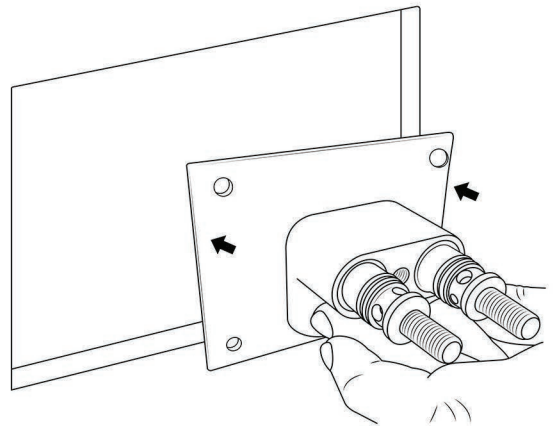
Step: 8



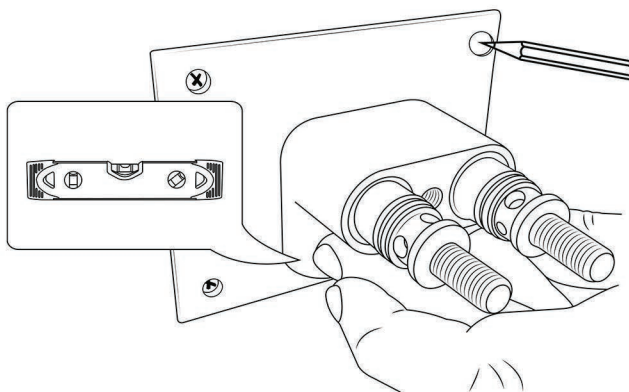
Step: 9



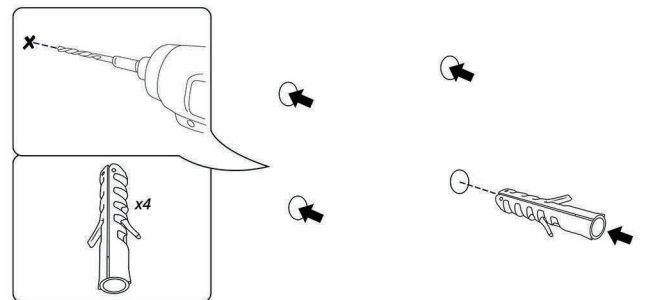
Step: 10



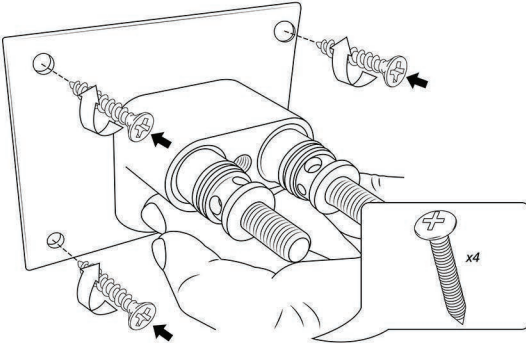
Step: 11



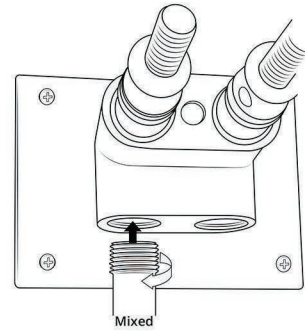
Step: 12



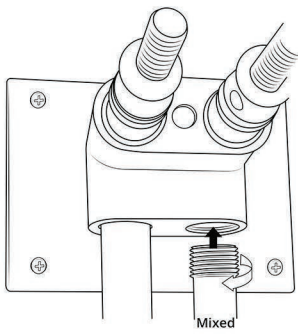
Step: 13



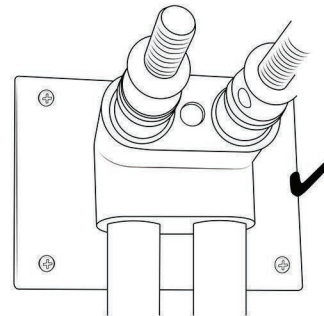
Step: 14



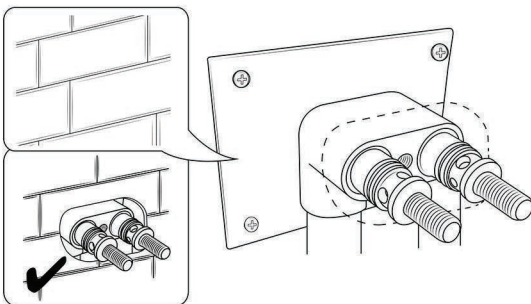
Step: 15



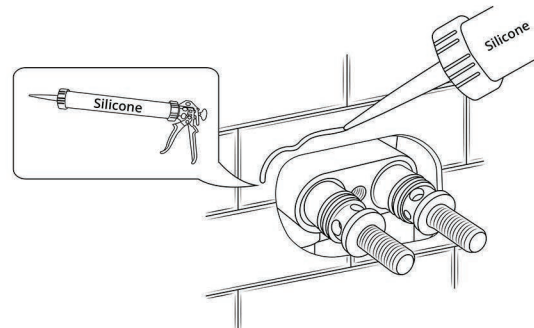
Step: 16



Step: 17

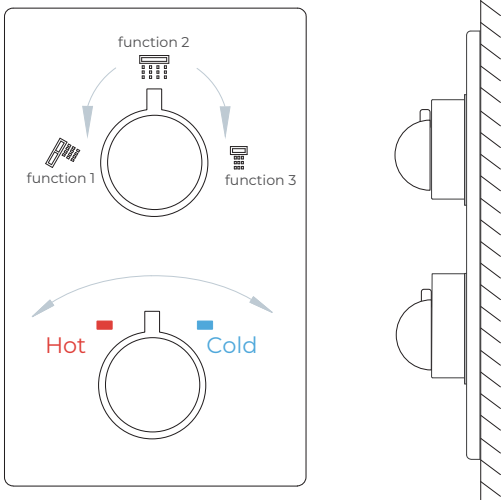


Step: 18

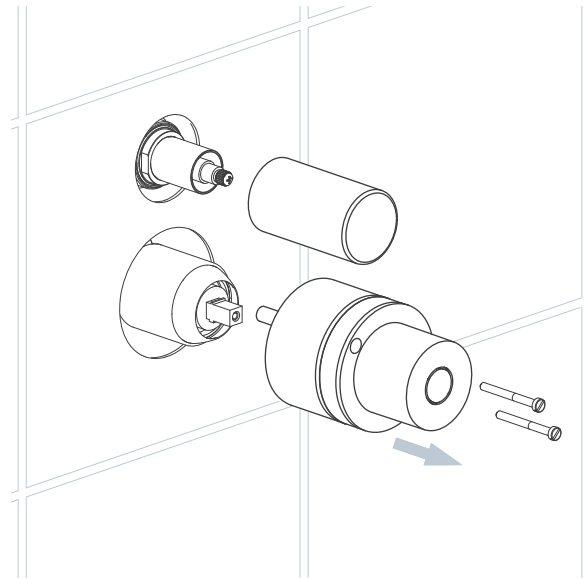


Mixer Installations Instructions

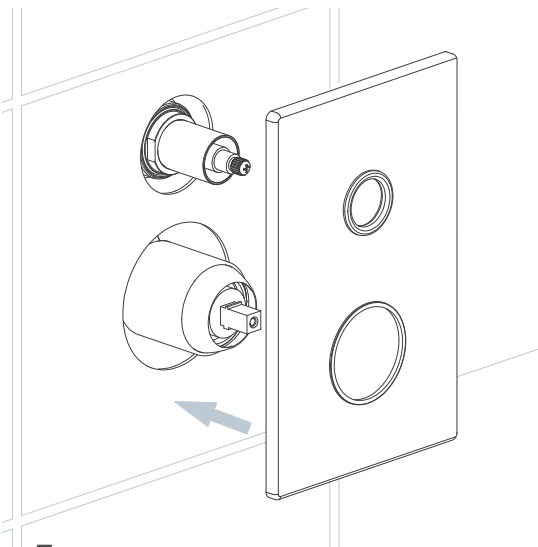
Step 1



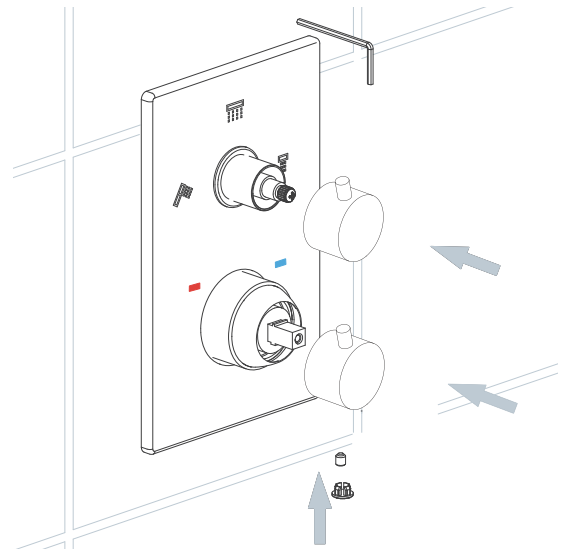
Step 2



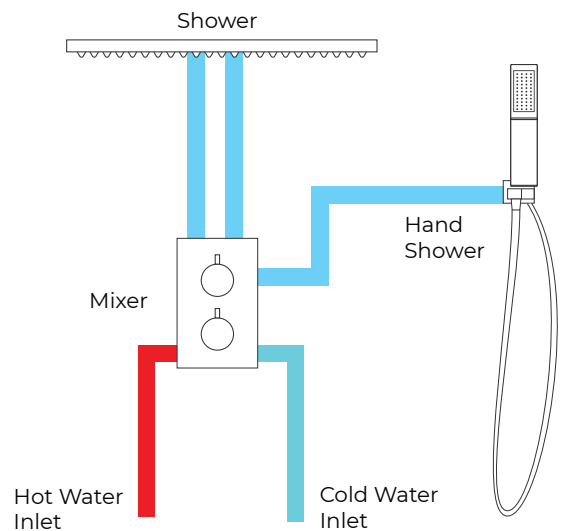
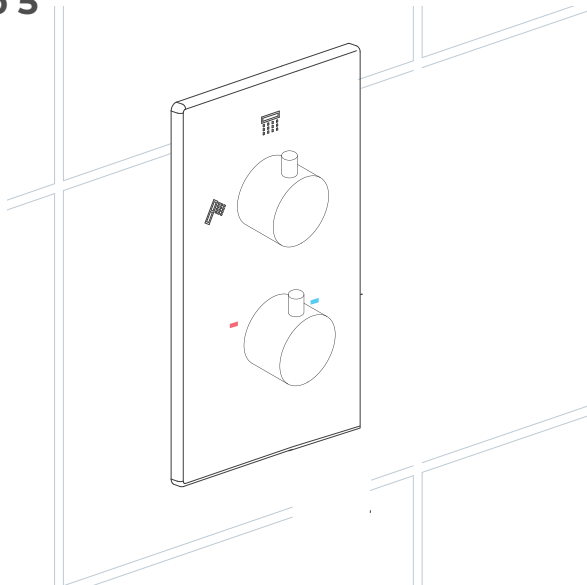
Step 3



Step 4

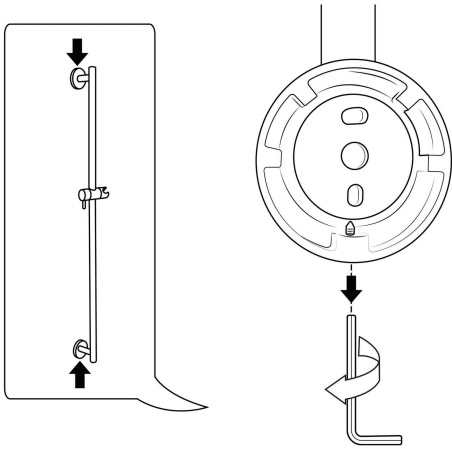


Step 5

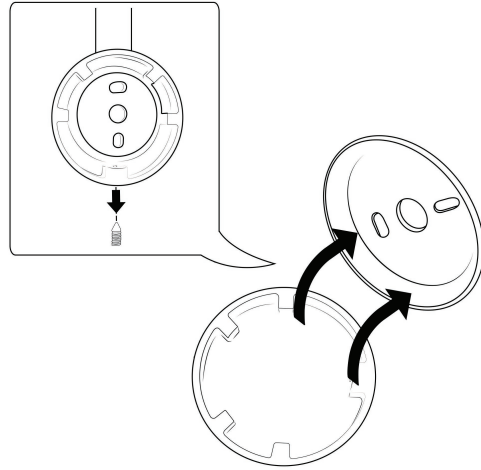


Hand-Held Shower Installations Instructions

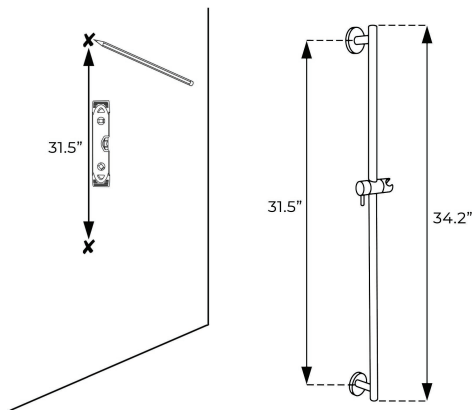
Step 1



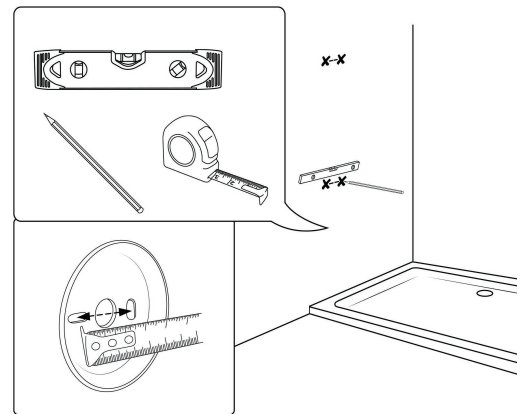
Step 2



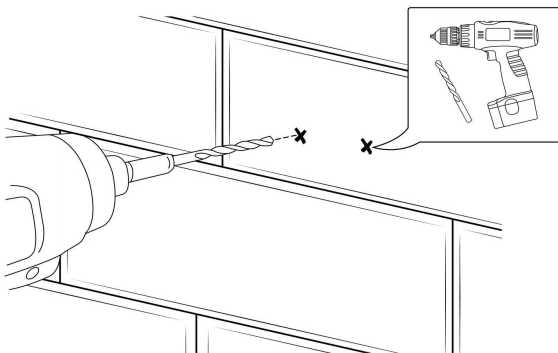
Step 3



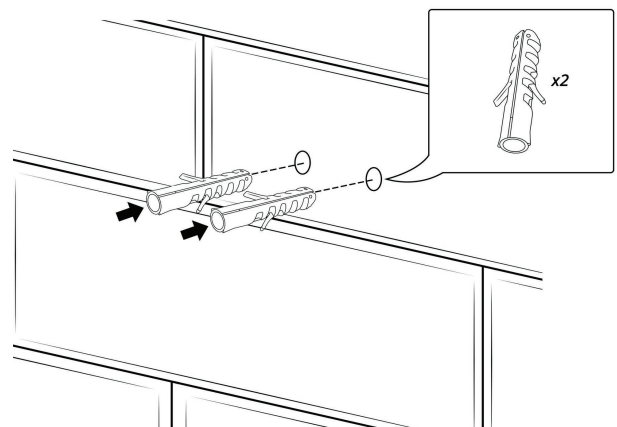
Step 4



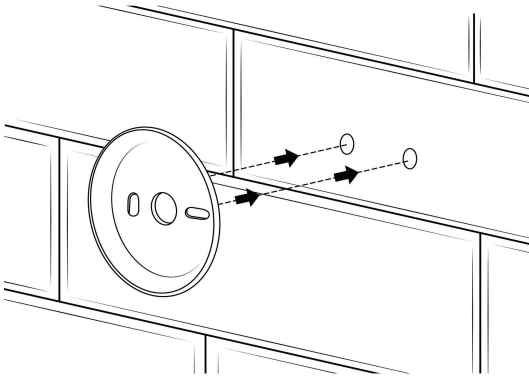
Step 5



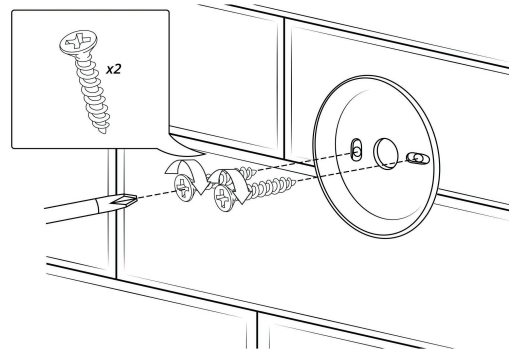
Step 6



Step 7

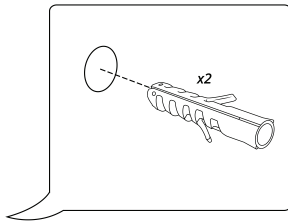


Step 8



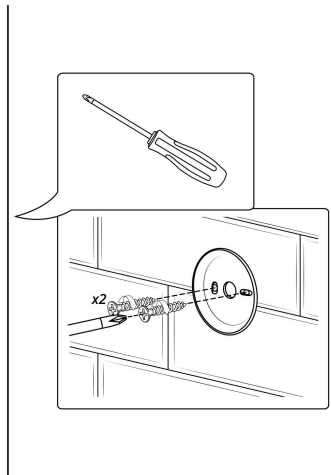
Step 9

⑩

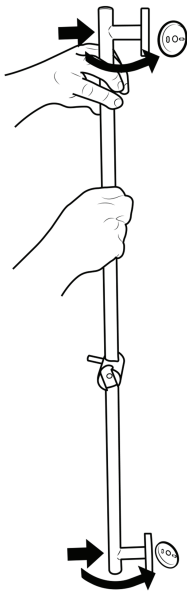


Step 10

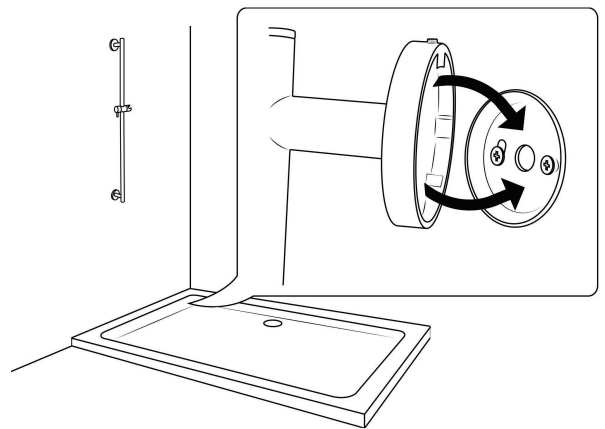
⑪



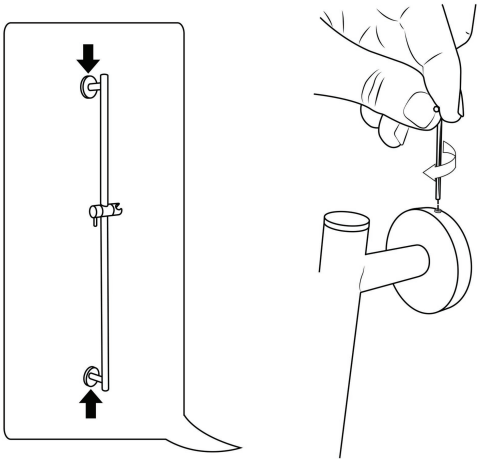
Step 11



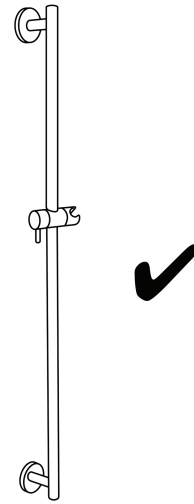
Step 12



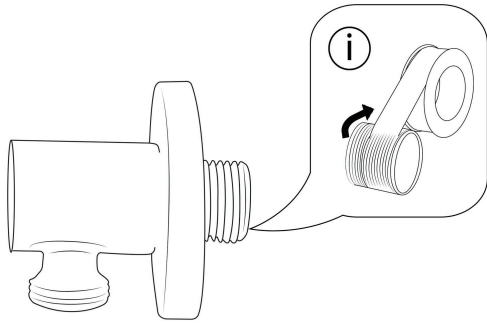
Step 13



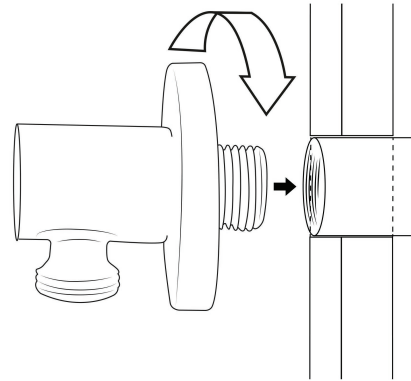
Step 14



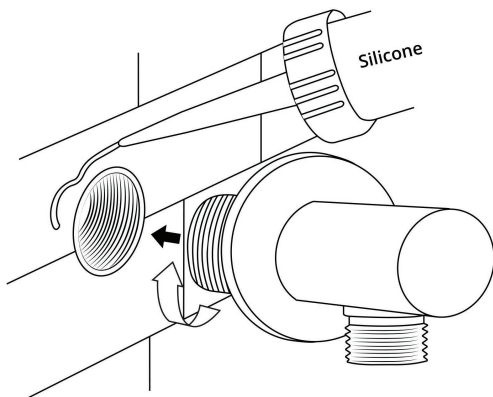
Step 15: (Hand Shower Elbow Installation)



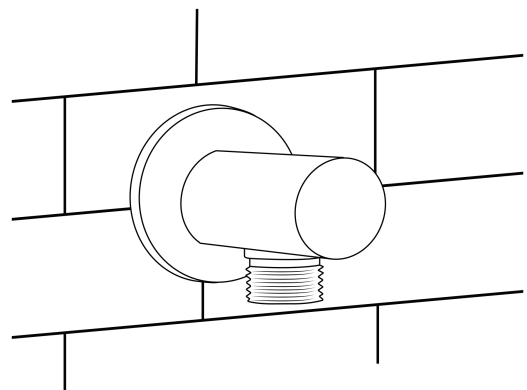
Step 16



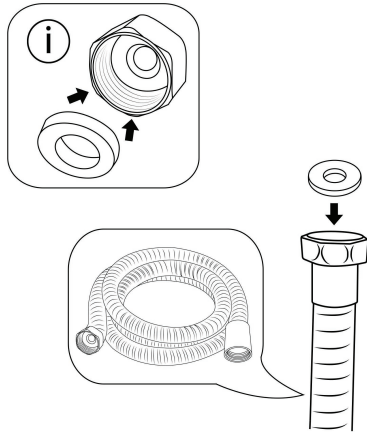
Step 17



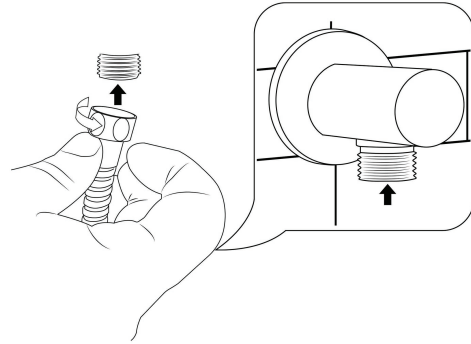
Step 18



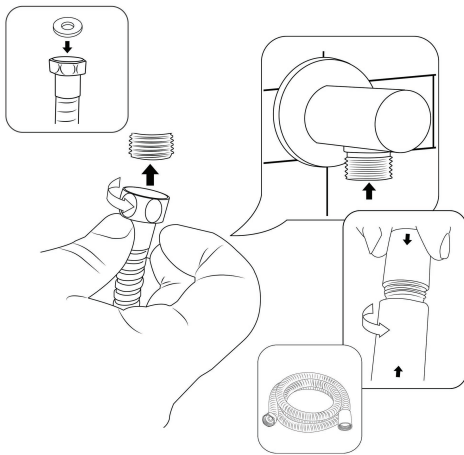
Step 19



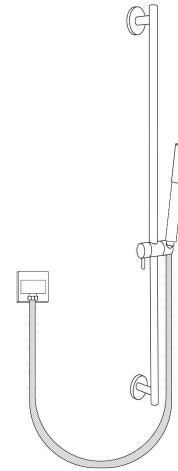
Step 20



Step 21



Step 22



Open The Closed Cover Of The Shower Holder And Take Out The Screws.

Drill Two Holes Size 0.2" (6mm) On The Wall According To The Hole Position Of The Shower Holder

Use A Hammer To Break 2 Plastic Wall Plug Into Two Holes. Tighten The Screws With The Plastic Wall Plug And Locking With The Shower Holder.

Then Install The Closed Cover

Connect The Shower Hose With The Water Outlet Connection Part And Hand Shower. Plug The Hand Shower In The Shower Holder.

General Information

All products manufactured and supplied by Fontana are safe and comply to legislative requirements. Providing they are installed correctly and receive regular maintenance in accordance with these instructions your user experience will not be affected

Care & Cleaning

1. The product can be cleaned with warm water, a mild soap and a clean soft cloth.
2. Clean progressively and gently.
3. It is not required to use any abrasive cleaning pads, wire wool or cloths to clean the product.
4. Avoid a vigorous cleaning action, as this could contribute to denaturing and dulling
5. Abrasive or strong cleaning products containing ammonia, bleaches, alcohol, dyes, acids (hydrochloric, formic, phosphorus, chlorine or acetic) will be not be affected.
6. If using a spray cleaner, apply the cleaning agent onto a soft cloth, never directly spray onto the product as the cleaner may enter gaps and openings and cause damage. Do not allow the cleaner to remain on the product for a period of time. After cleaning, rinse thoroughly with clean water.

