

**BRAVAT WALL MOUNTED SHOWER SET WITH VALVE MIXER  
2-WAY CONCEALED IN DARK OIL RUBBED BRONZE  
INSTALLATION INSTRUCTIONS**



**PRIOR TO INSTALLATION**

Please read installation instructions below. All plumbing should be installed in accordance with applicable building codes and regulations.

Unpack and inspect the items for any shipping damages. If you find damages, do not install.

All products must be installed by a professional and certified plumber otherwise warranty may be voided.

**POSSIBLE TOOLS REQUIRED\***



Plumbers Tape



Tape Measure



Level



Adjustable Wrench



Hex Wrench



Thread Sealant



Drill



Pencil or Marker

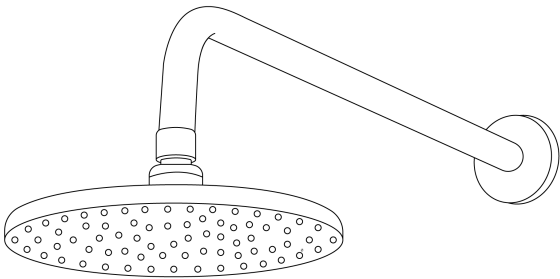


Screwdriver

\*not included

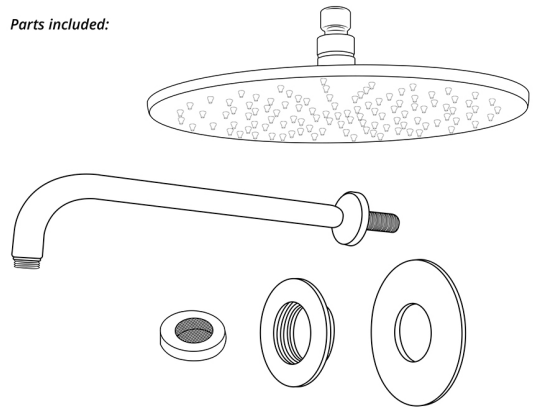
## Wall Mount Shower Installation Instructions

### Step 1:

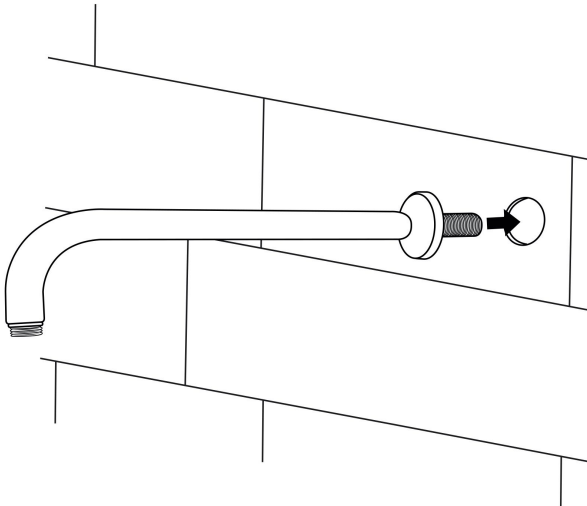


### Step 2:

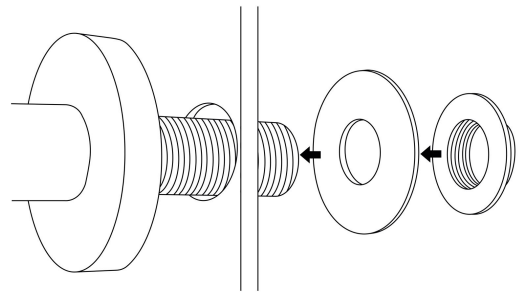
Parts included:



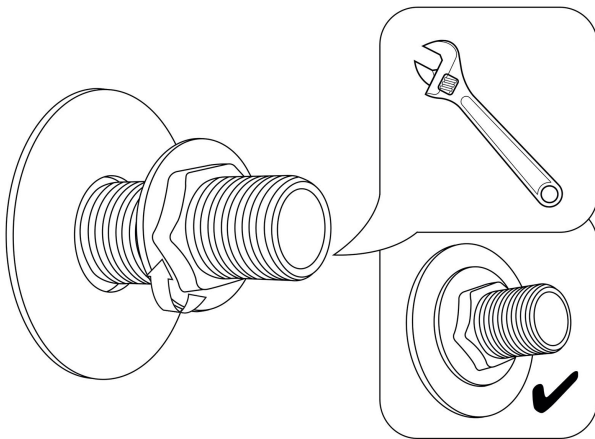
### Step 3:



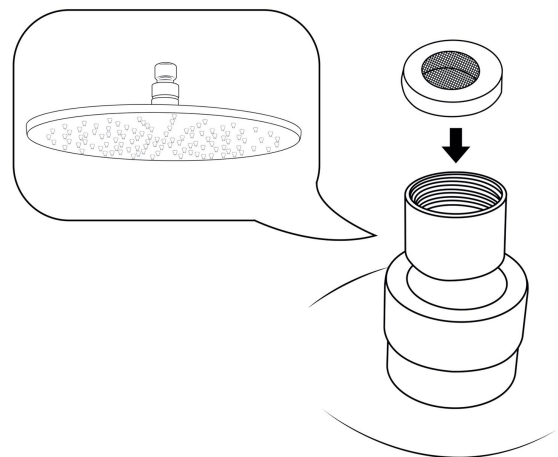
### Step 4:



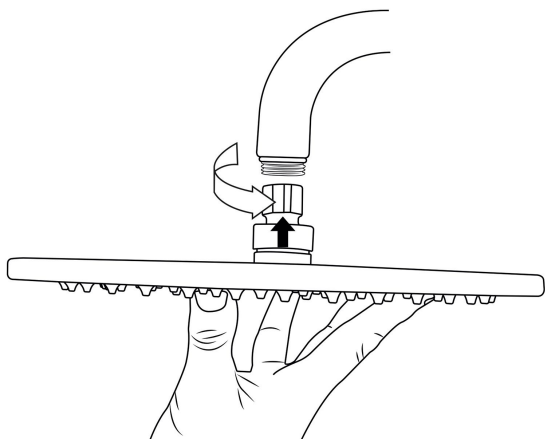
### Step 5:



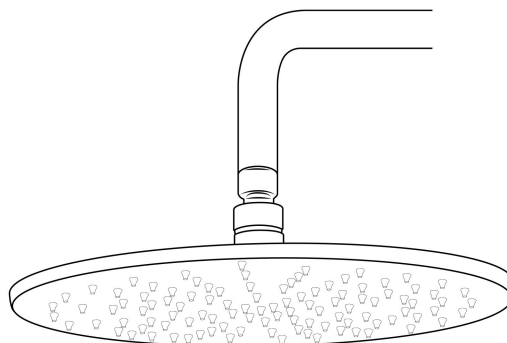
### Step 6:



## Step 7:

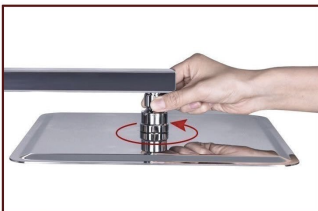


## Step 8:



## Step 9 (Note):

No tools required, G1/2" connector fits standard sized shower plumbing.



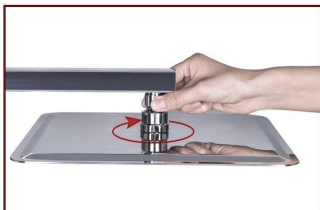
Use your hands counterclockwise to unscrew the old showerhead and removed it.



Take out the Hiendure Showerhead, make sure the shower filter is placed in the connector.



Ensure the showerhead full horizontal alignment wall mounted shower arm thread



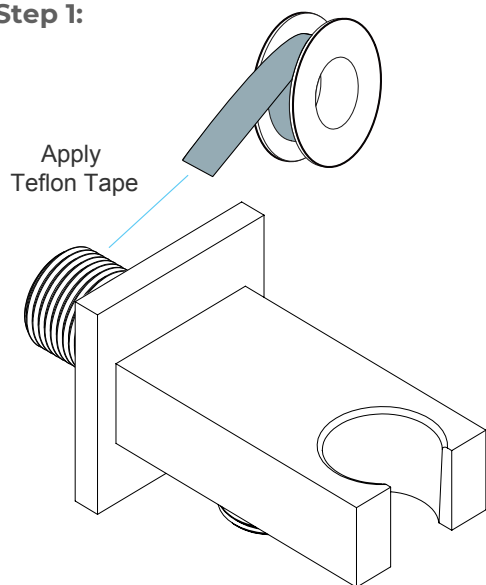
Use your heads clockwise to tighten showerhead.

Product shown is only for installation display purpose

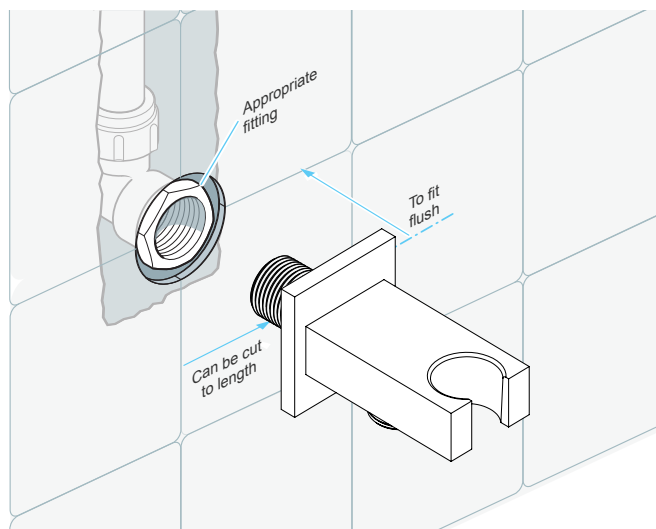
1. Remove the old shower head by using the channel lock pliers or monkey wrench. Be sure to turn the pliers counter-clockwise to loosen the old shower head. (tip: right is tight, left is loose.)
2. Remove the shower arm by turning it by hand counter-clockwise. Make sure you remember to apply putty or tape to the new arm. (tip: using teflon tape is less messy)
3. Apply teflon tape to the threading of the shower arm by wrapping it around the threads, go all the way around 3 or 4 times depending on the quality of the teflon tape.
4. Install the new shower arm by going clockwise by hand until it is tight, then put painters tape around the arm and tighten the arm with the channel lock or monkey wrench.
5. Place teflon tape around the threads on the shower head and then place the shower head onto the shower arm by turning the shower head clockwise after the shower arm is already in the wall.

## Hand Shower Installation Instruction

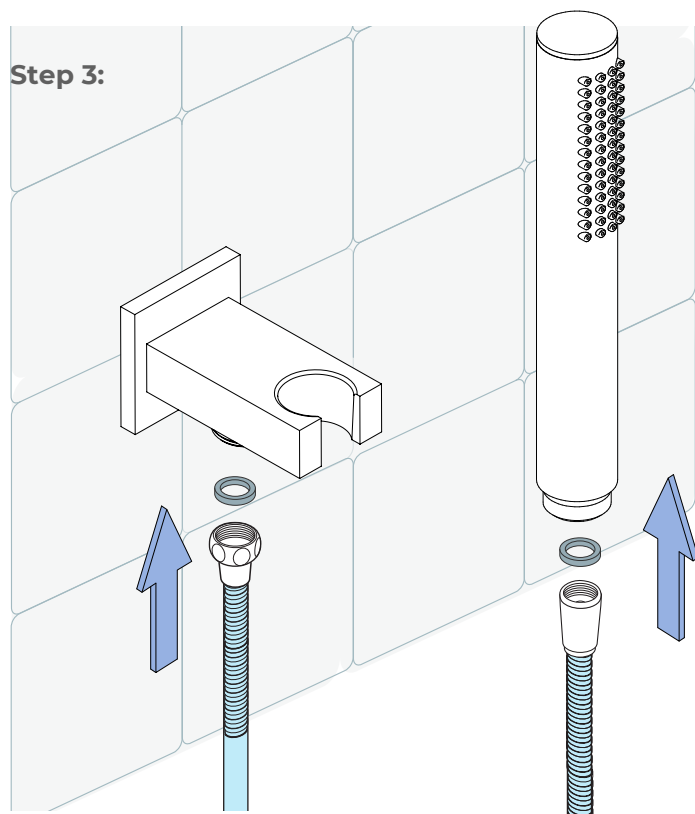
### Step 1:



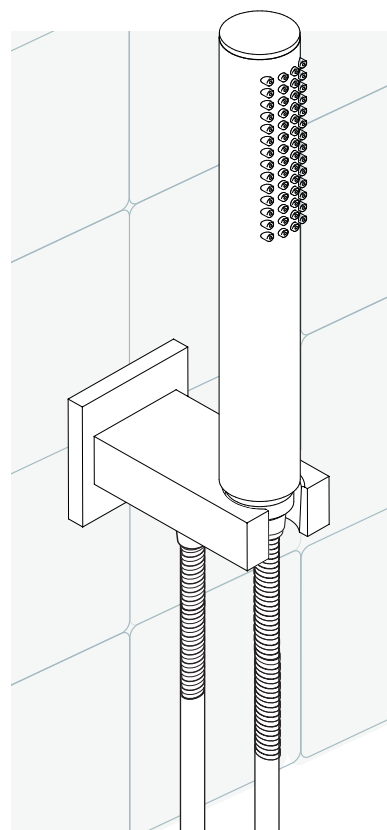
### Step 2:



### Step 3:



### Step 4:



### Hand Shower Outlet Installation

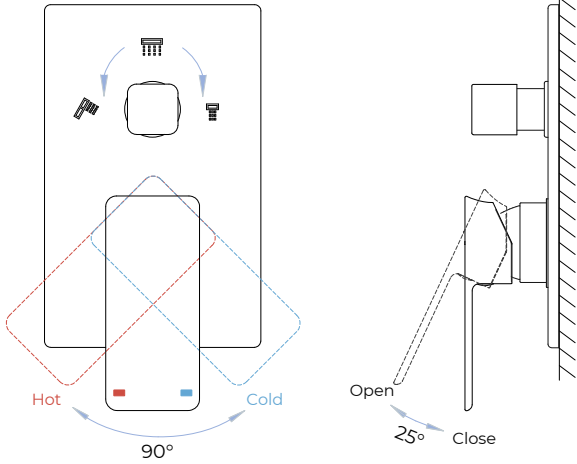
• Complete the outlet pipework ensuring it ends in an appropriate 15mm x 1/2" BSP female thread elbow.  
**Note:** This fitting is not supplied as variations in installations require the selection of a suitable solder or compression fitting.

• Install the 'Wall Outlet', thread long male 1/2" BSP into the appropriate female fitting using PTFE tape to give a watertight joint.

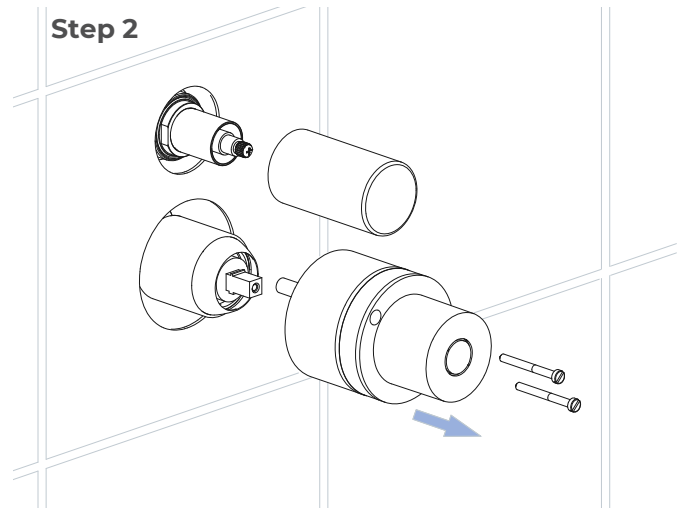
**Note:** The thread can be cut to size if required. Make sure that all debris is removed from the connector and the section that has been cut is dressed correctly, before installation.

## Mixer Installations Instructions

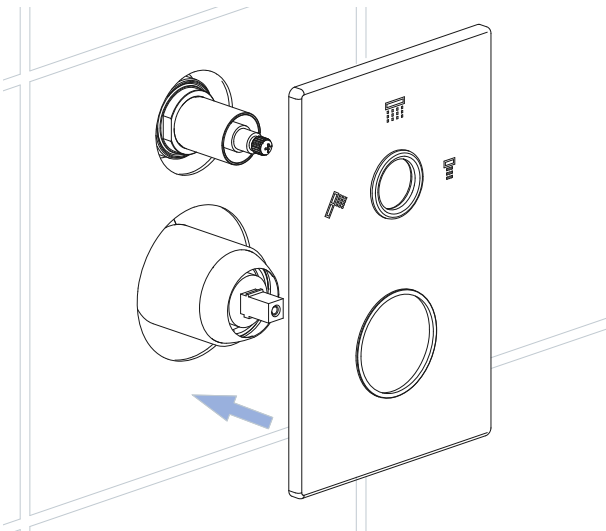
### Step 1



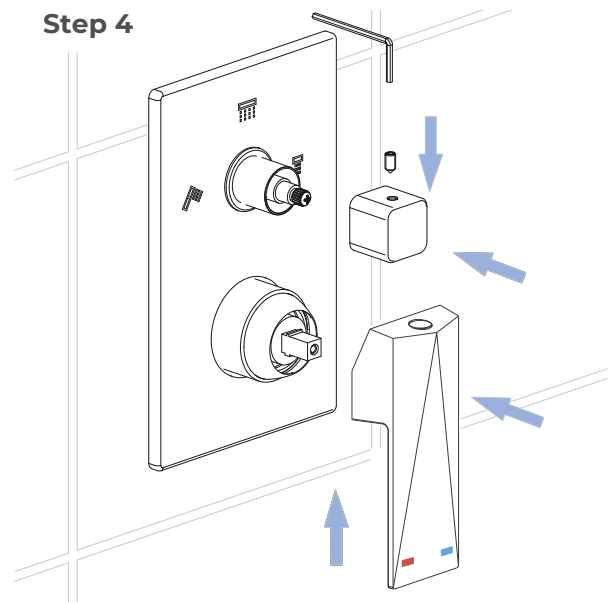
### Step 2



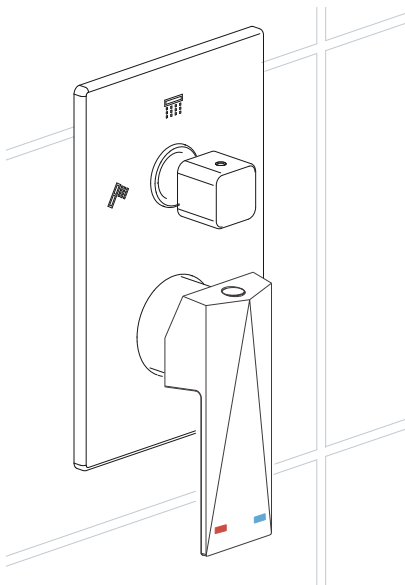
### Step 3



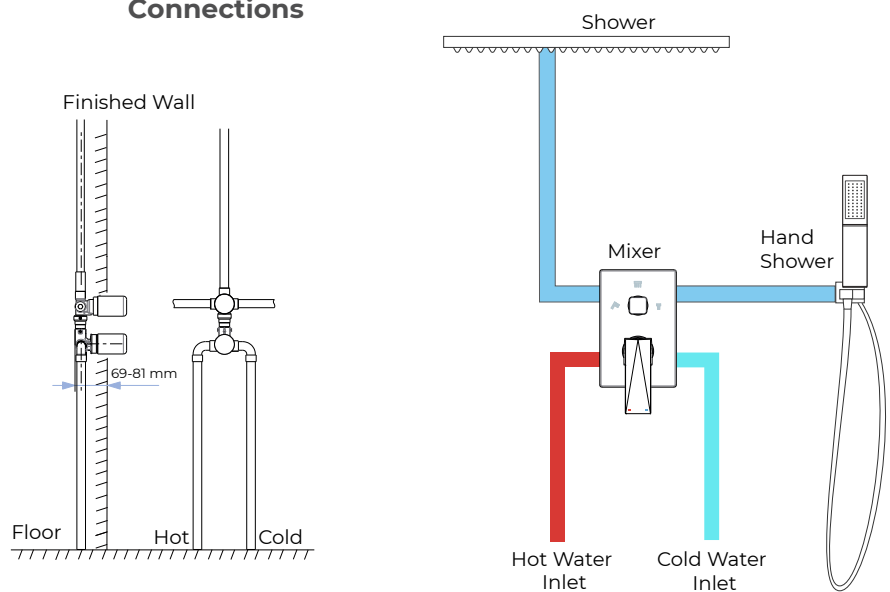
### Step 4



### Step 5



### Connections



## General Information

All products manufactured and supplied by Fontana are safe and comply to legislative requirements. Providing they are installed correctly and receive regular maintenance in accordance with these instructions your user experience will not be affected.

## Care & Cleaning

1. The product can be cleaned with warm water, a mild soap and a clean soft cloth.
2. Clean progressively and gently.
3. It is not required to use any abrasive cleaning pads, wire wool or cloths to clean the product.
4. Avoid a vigorous cleaning action, as this could contribute to denaturing and dulling
5. Abrasive or strong cleaning products containing ammonia, bleaches, alcohol, dyes, acids (hydrochloric, formic, phosphorus, chlorine or acetic) will be not be affected.
6. If using a spray cleaner, apply the cleaning agent onto a soft cloth, never directly spray onto the product as the cleaner may enter gaps and openings and cause damage. Do not allow the cleaner to remain on the product for a period of time. After cleaning, rinse thoroughly with clean water.

