

**WATERFALL RAINFALL MIST THERMOSTATIC LED REMOTE CONTROLLED RECESSED CEILING GOLD MOUNT GOLD SHOWER SYSTEM WITH JETTED BODY SPRAYS AND HANDHELD SHOWER INSTALLATION INSTRUCTIONS**



**PRIOR TO INSTALLATION**

Please read installation instructions below. All plumbing should be installed in accordance with applicable building codes and regulations.

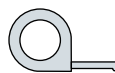
Unpack and inspect the items for any shipping damages. If you find damages, do not install.

All products must be installed by a professional and certified plumber otherwise warranty may be voided.

**POSSIBLE TOOLS REQUIRED\***



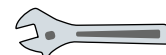
Plumbers Tape



Tape Measure



Level



Adjustable Wrench



Hex Wrench



Thread Sealant



Drill



Pencil or Marker

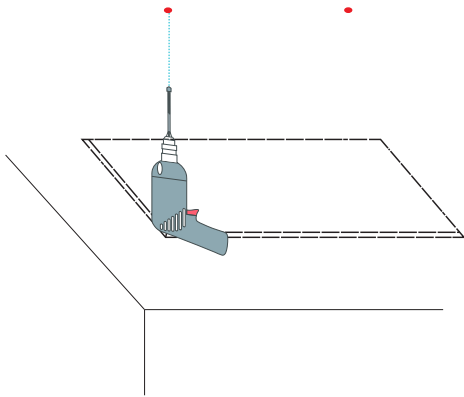


Screwdriver

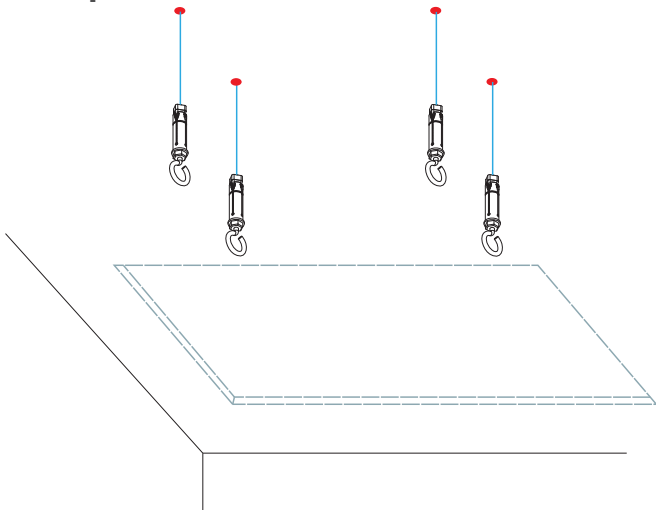
\*not included

## Shower Head Installation Instructions

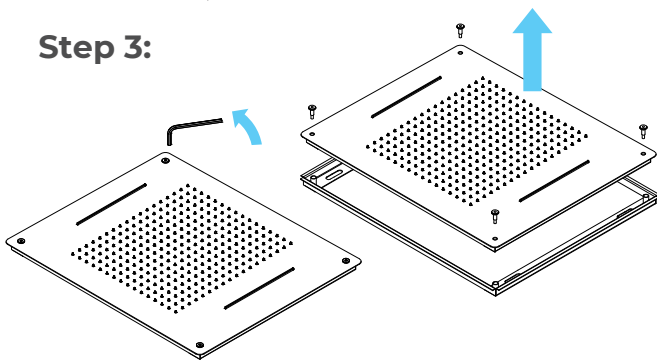
Step 1:



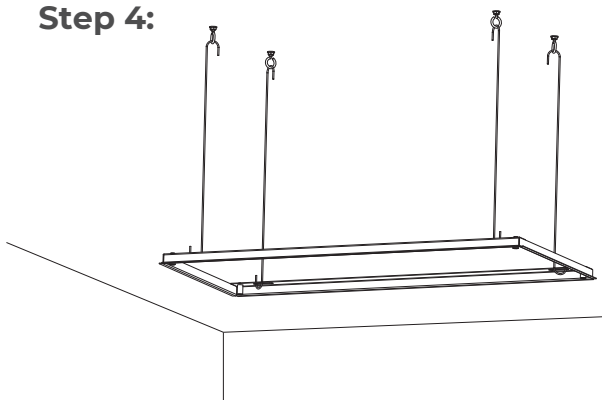
Step 2:



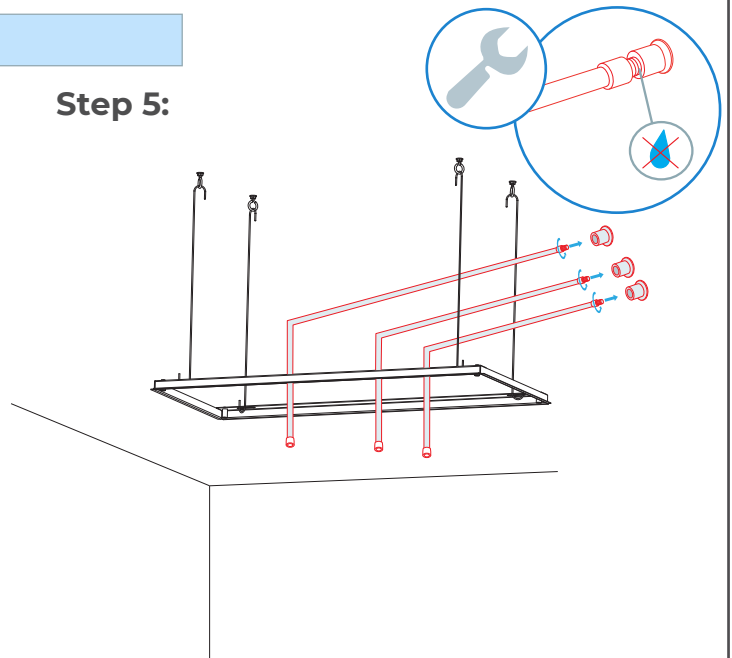
Step 3:



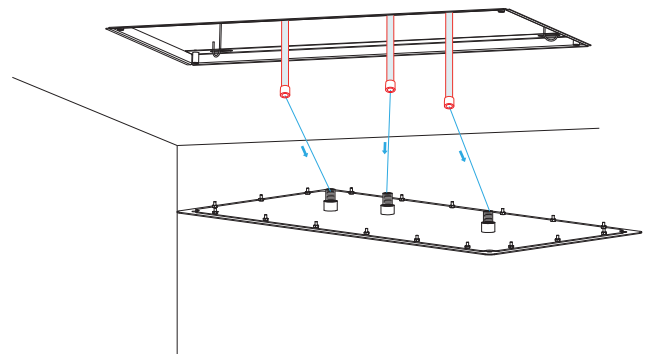
Step 4:



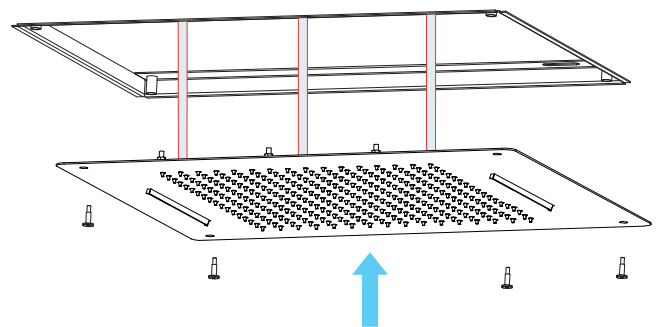
Step 5:



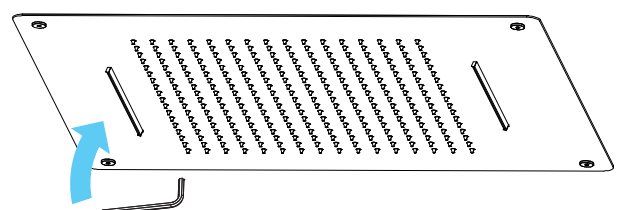
Step 6:



Step 7:

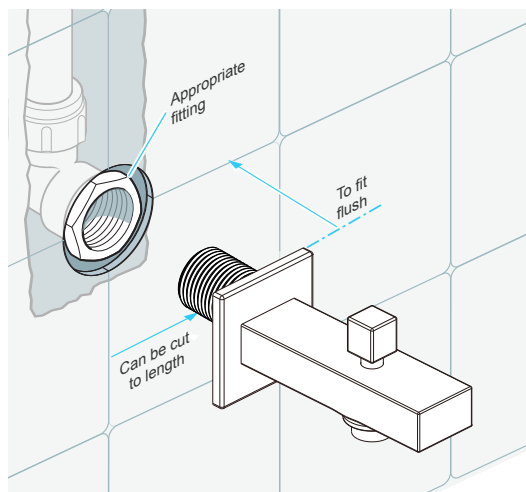


Step 8:

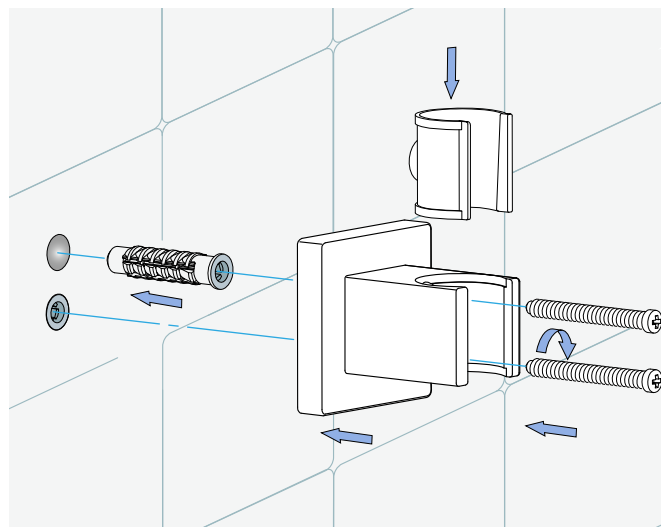


## Hand Shower Installation Instructions

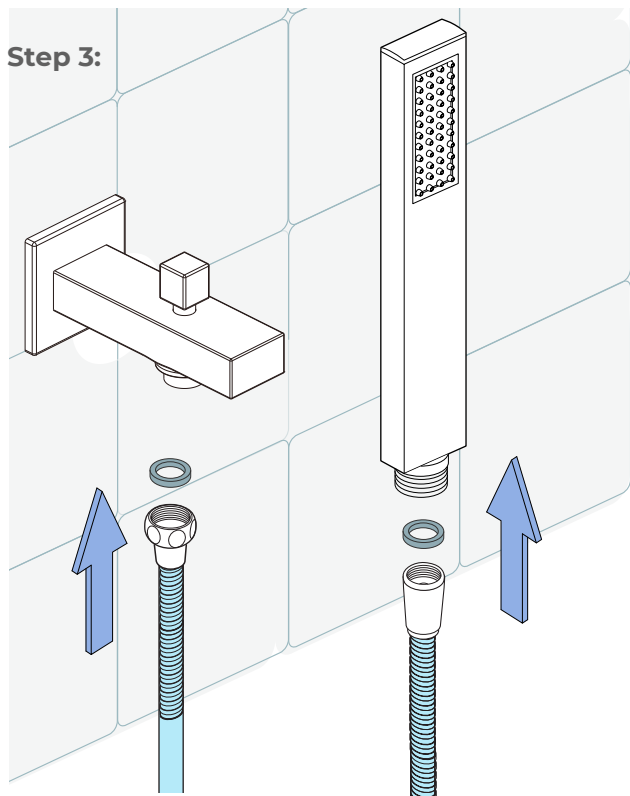
### Step 1: Wall Elbow



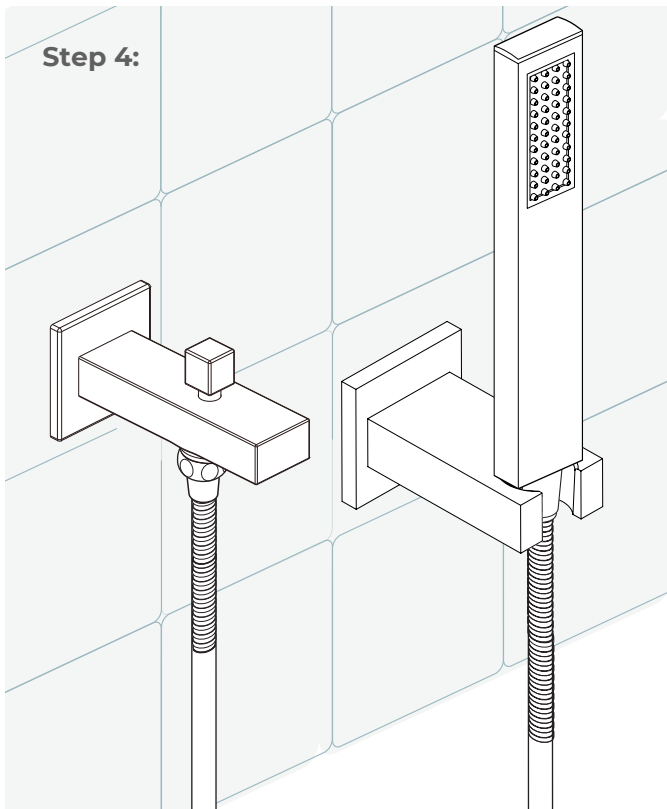
### Step 2: Wall Bracket



### Step 3:



### Step 4:



### Hand Shower Outlet Installation

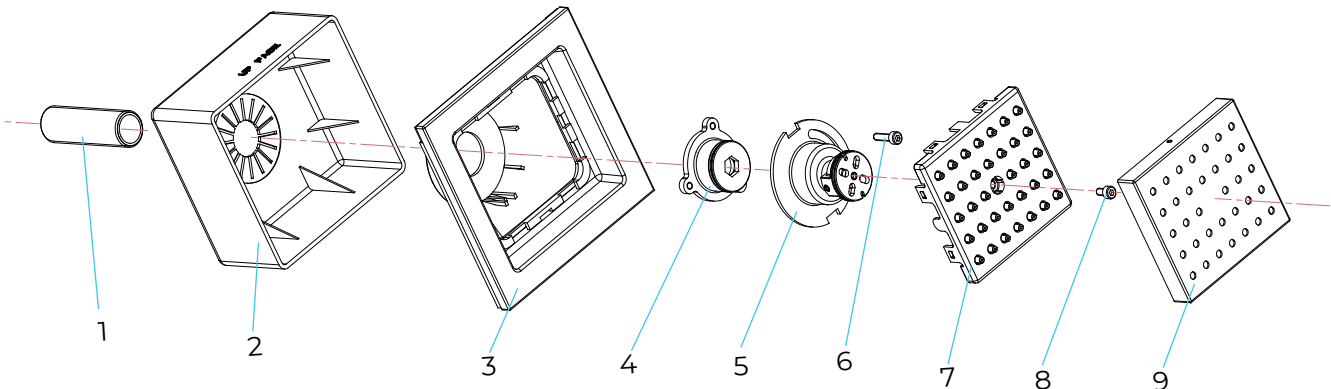
• Complete the outlet pipework ensuring it ends in an appropriate 15mm x 1/2" BSP female thread elbow.

**Note:** This fitting is not supplied as variations in installations require the selection of a suitable solder or compression fitting.

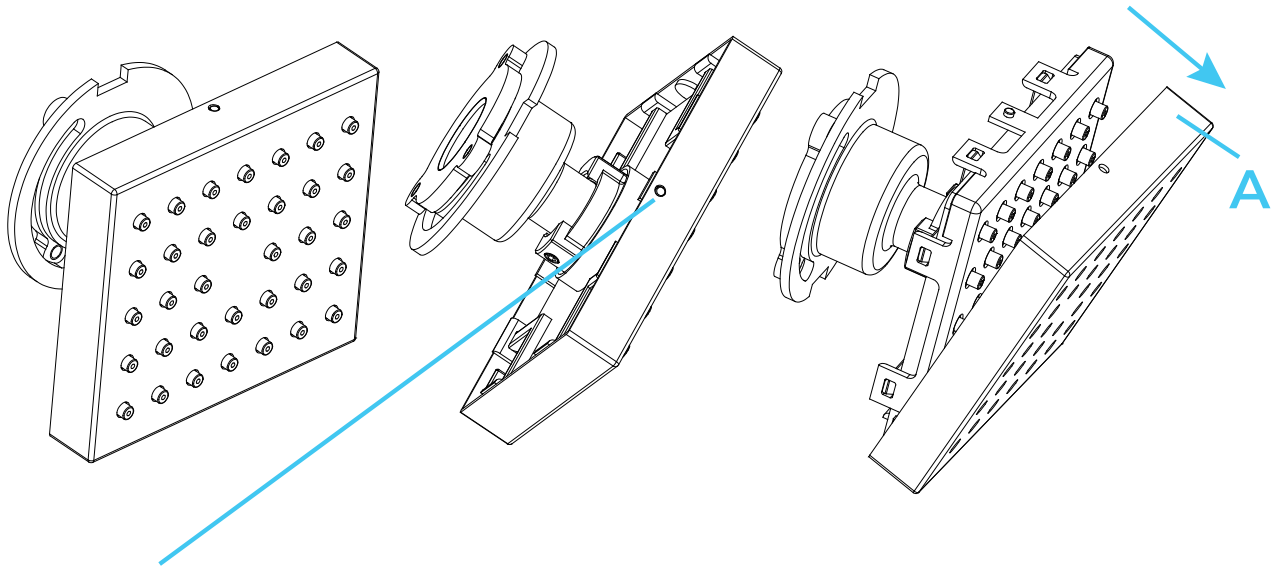
• Install the 'Wall Outlet', thread long male 1/2" BSP into the appropriate female fitting using PTFE tape to give a watertight joint.

**Note:** The thread can be cut to size if required. Make sure that all debris is removed from the connector and the section that has been cut is dressed correctly, before installation.

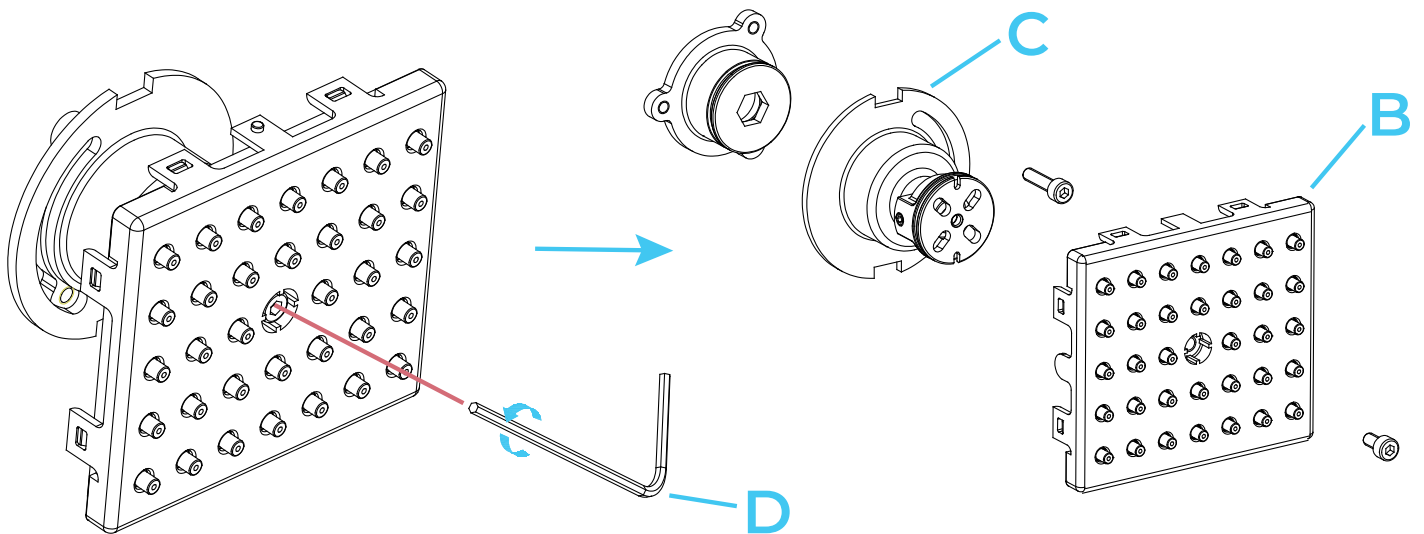
## Square Body Jets Spray Installations Instruction



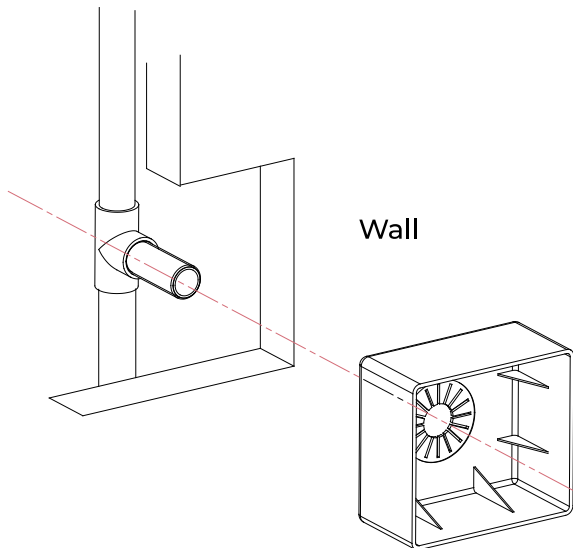
**Parts :** 1.Pipe, 2.Plastic box, 3.Decorative plate, 4.Connector, 5.Body, 6.Bolt #6, 7.Outlet face, 8.Bolt #8, 9.Outlet face



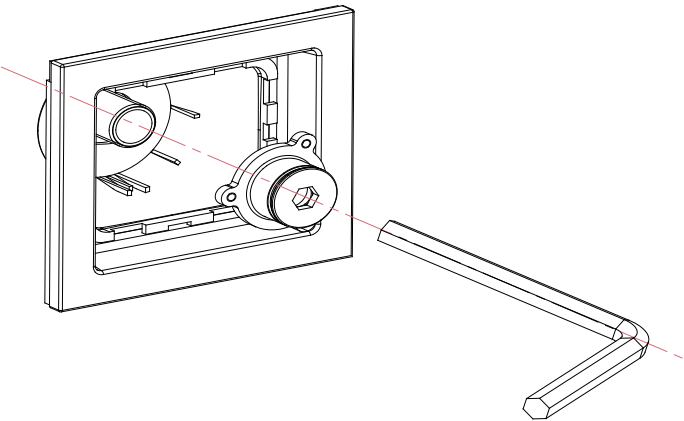
**Step 1:** Push the hole. Remove the decorative plate (A) out of the body



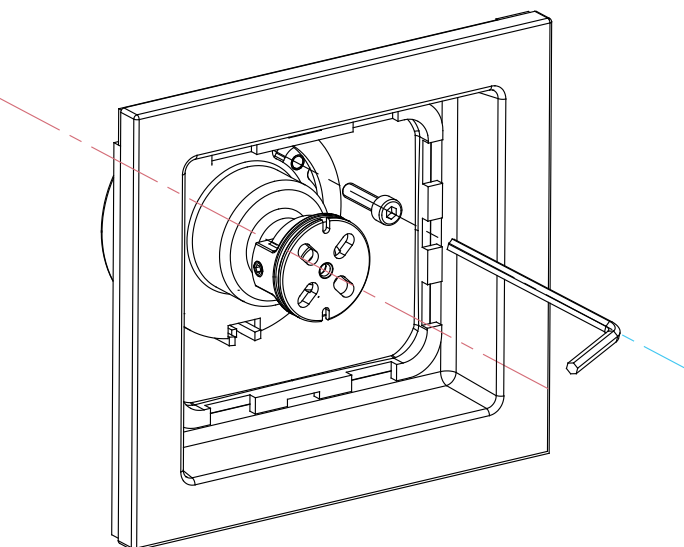
**Step 2:** Remove the screws from the outlet face (B) and connector body (C) with the Allen key (D).



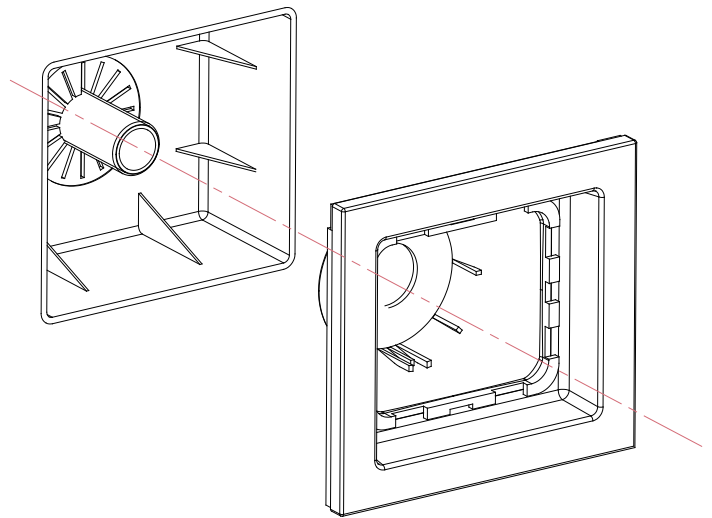
**Step 3:** Push the plastic box into the wall  
**IMPORTANT:** Please make sure the UP FACE marking is in the top position



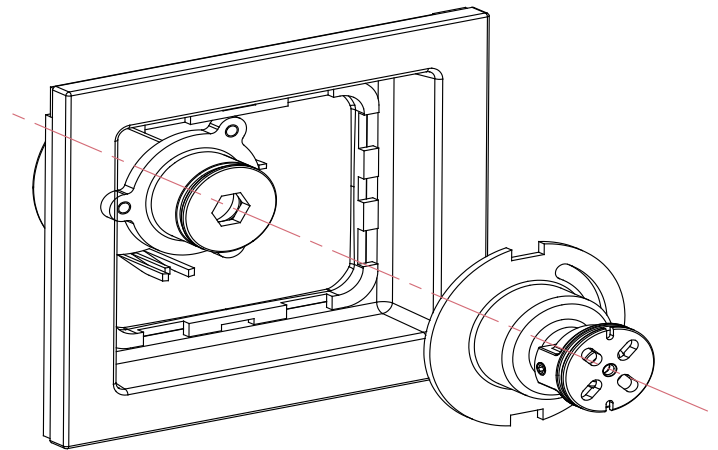
**Step 5:** Screw the connector into the pipe with H10 wrench



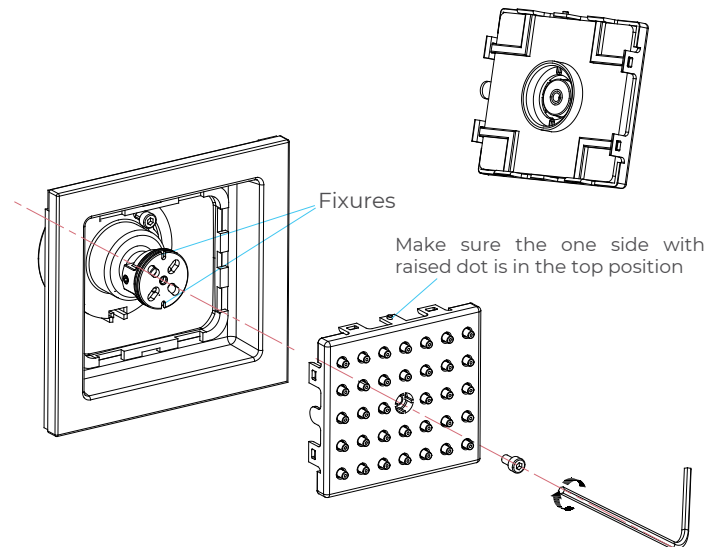
**Step 7:** Screw the bolt #6 into the body. Make sure the body and the connector are tight. The decorative plate should now be secure and will not move



**Step 4:** Install the decorative plate assembly into the plastic box. Make sure the position is correct



**Step 6:** Install the body assembly to the connector

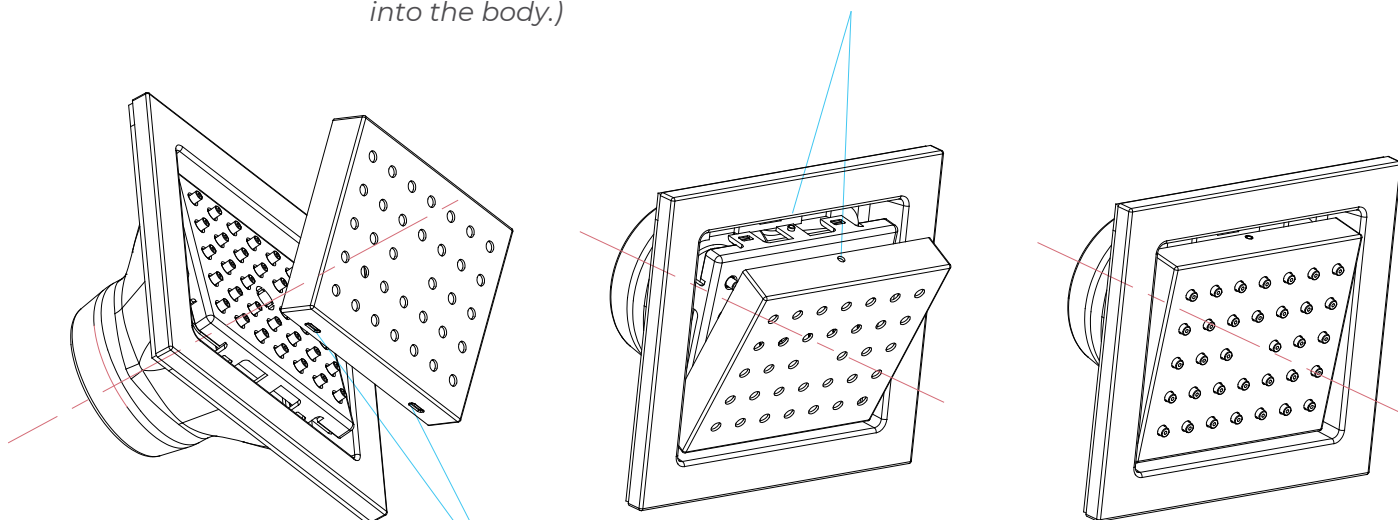


**Step 8:** Install the outlet face assembly to the body. Make sure the outlet face is fully seated onto the body. Screw the bolt #8 through the outlet face into the body (*Do not over tighten*)



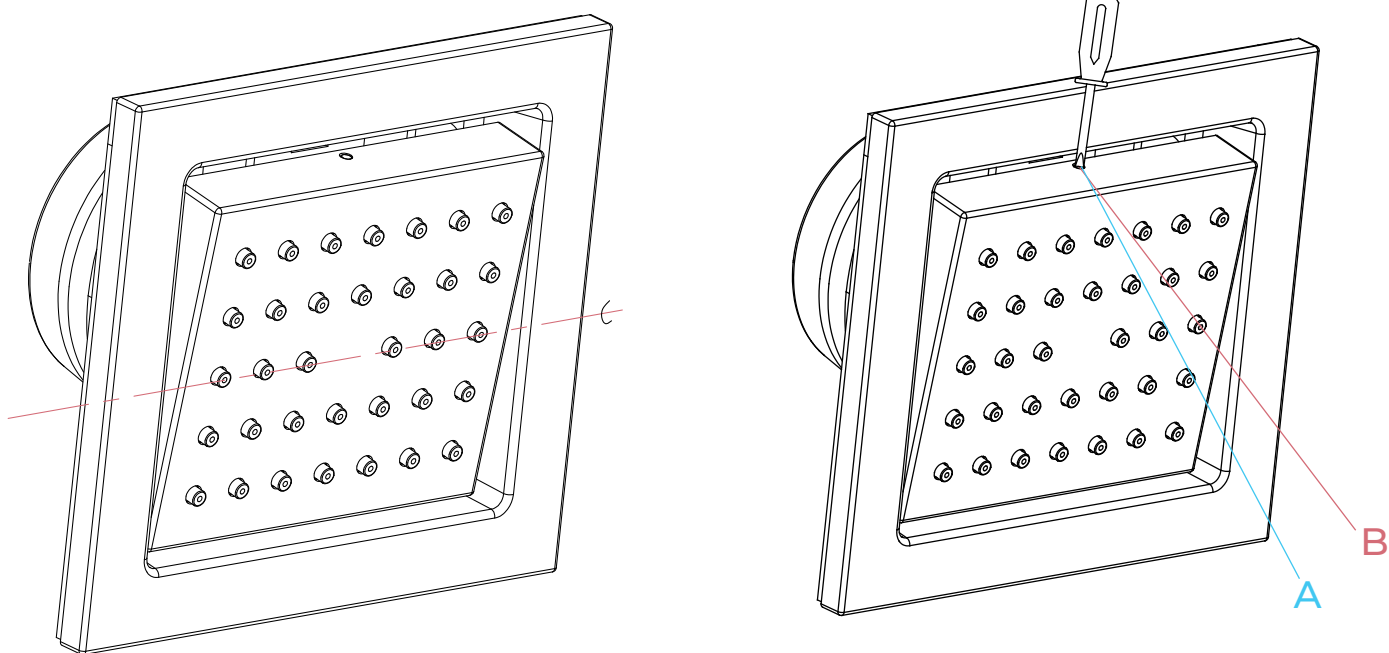
# Fontana Showers®

(Make sure the hole and the raised dot are in the correct position when you push the decorative plate into the body.)



(This side is in the bottom position when push the decorative plate into the body first.)

**Step 9:** Screw the outlet face a little angled. Make the decorative plate have a little angle too when push it into the body. Adjust the outlet face when push the decorative plate in order to put it out of the decorative plate



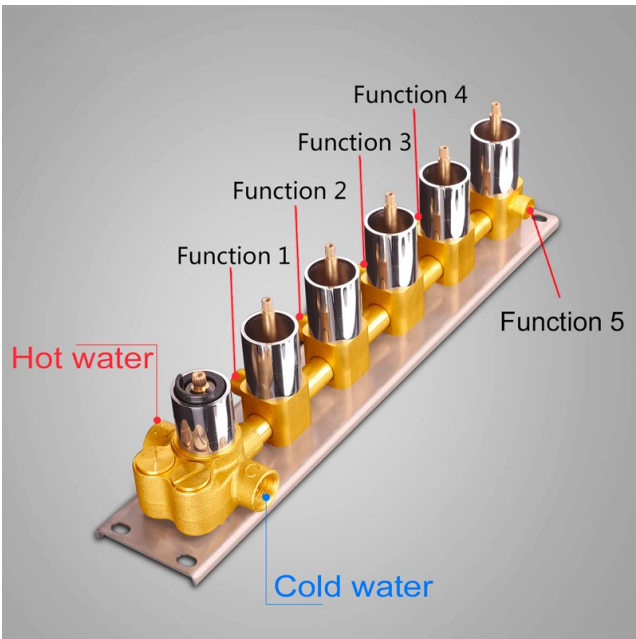
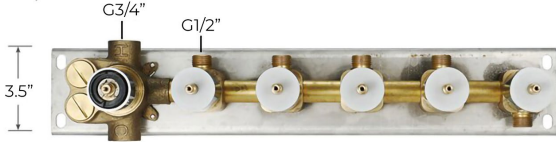
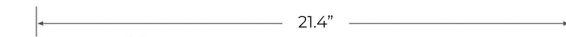
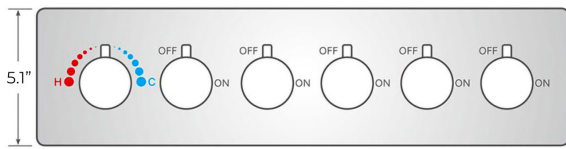
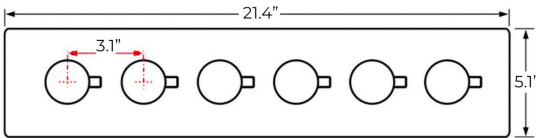
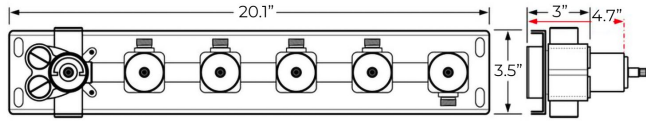
**Step 10:** Products can adjust to the angle positions as shown below: face when push the decorative plate in order to put it out of the decorative plate

**Step 11:** Do not use abrasive sponges or microfiber cloths, corrosive cleansers, solvents or acids. We recommend that you do not use any anti-lime scale products or cleaners containing vinegar and acetic acid. Chemical cleaning agents may damage the product. Clean products using only mild soap or a wet cloth

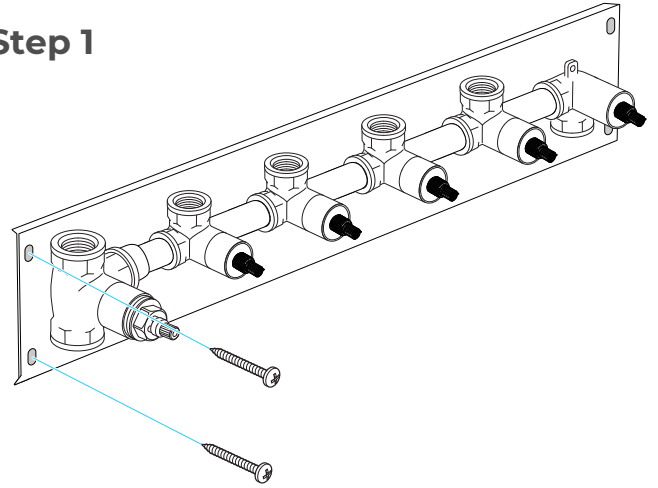
A> Protect the decorative plate coating when removing it.

B> Use screwdriver to remove

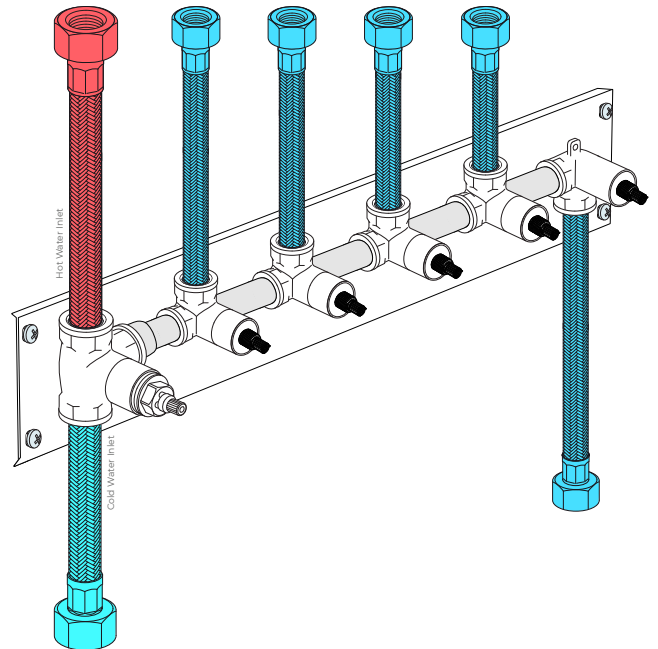
## Mixer Installations Instructions



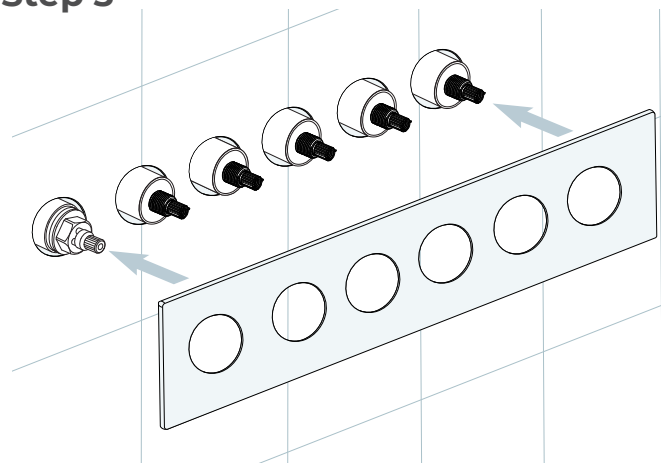
### Step 1



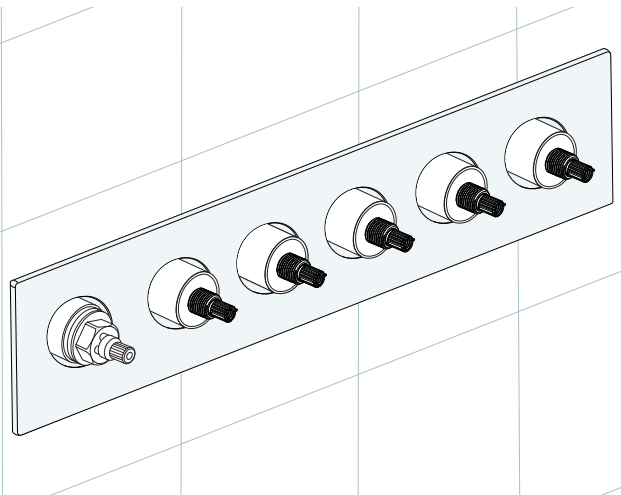
### Step 2



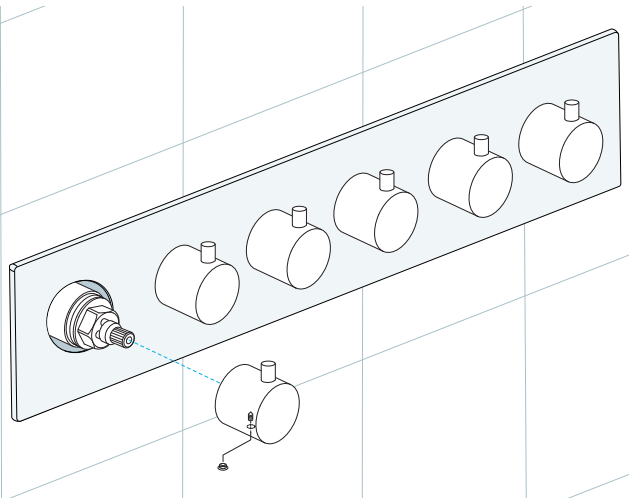
### Step 3



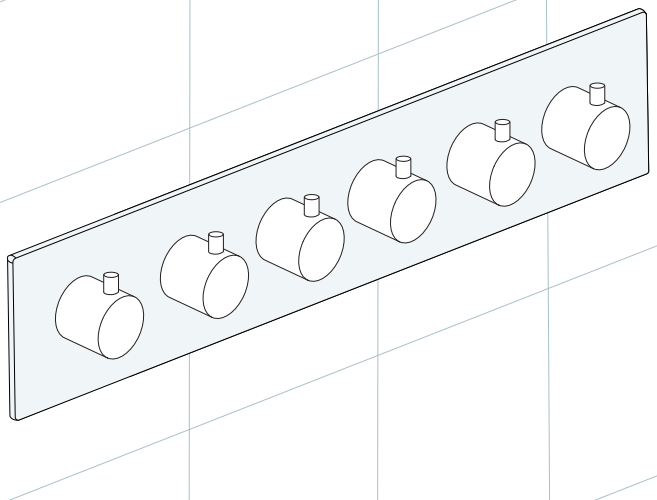
## Step 4



## Step 5



## Step 6



- Release handwheel levers according to the directions.
- Take apart the embed valve, panel, and handwheel.
- Dig the embed space for the pipe on the wall according to the valve.
- Dig holes according to the position of the screws.
- Use a hammer to thwack the screws into holes.
- Fix the valve body with screws.
- Find out the expansion screw heads with washer and spring washer. Use copper sleeve wrench to lock the screw heads with the embed valve body.
- After connecting all the pipes and before sealing the wall with grout, a leaking problem occurs when you turn on the water.
- Fix the decorative panel on the embedded valve body.
- Screw the handwheel arms with the handwheels.





## General Information

All products manufactured and supplied by Fontana are safe and comply to legislative requirements. Providing they are installed correctly and receive regular maintenance in accordance with these instructions your user experience will not be affected.

## Care & Cleaning

1. The product can be cleaned with warm water, a mild soap and a clean soft cloth.
2. Clean progressively and gently.
3. It is not required to use any abrasive cleaning pads, wire wool or cloths to clean the product.
4. Avoid a vigorous cleaning action, as this could contribute to denaturing and dulling
5. Abrasive or strong cleaning products containing ammonia, bleaches, alcohol, dyes, acids (hydrochloric, formic, phosphorus, chlorine or acetic) will be not be affected.
6. If using a spray cleaner, apply the cleaning agent onto a soft cloth, never directly spray onto the product as the cleaner may enter gaps and openings and cause damage. Do not allow the cleaner to remain on the product for a period of time. After cleaning, rinse thoroughly with clean water.

