

FONTANA TOULOUSE 15X28" THERMOSTATIC LED CEILING SHOWER HEAD WITH HAND SHOWER, BODY JETS AND SPOUT INSTALLATION INSTRUCTIONS



BEFORE YOU BEGIN

Before you begin, please read the installation instructions below. Observe all local building and safety codes.

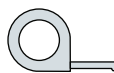
Unpack and inspect the items for any shipping damages. If you find damages, do not install.

Please note all products must be installed by a professional and certified plumber otherwise warranty might be voided.

POSSIBLE TOOLS REQUIRED*



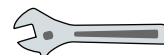
Plumbers Tape



Tape Measure



Level



Adjustable Wrench



Hex Wrench



Thread Sealant



Drill



Pencil or Marker

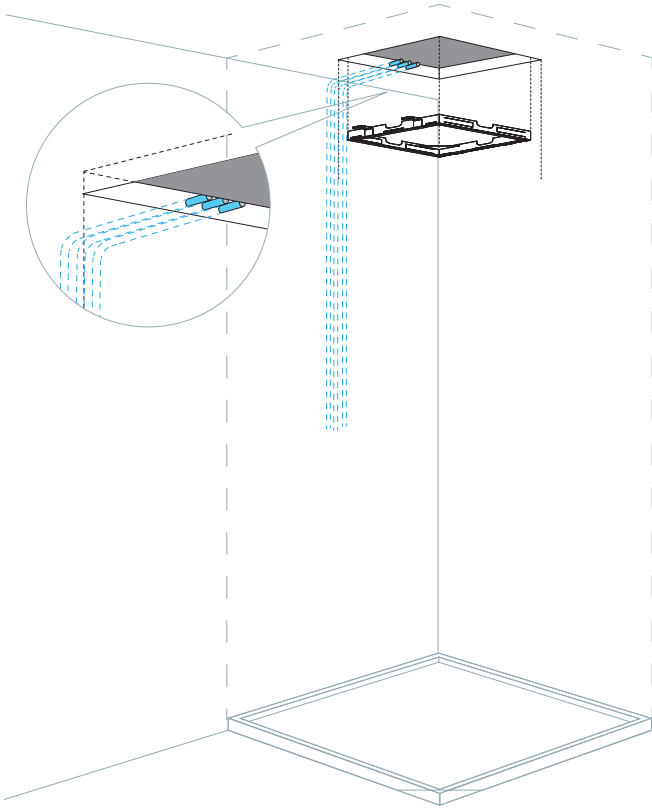


Screwdriver

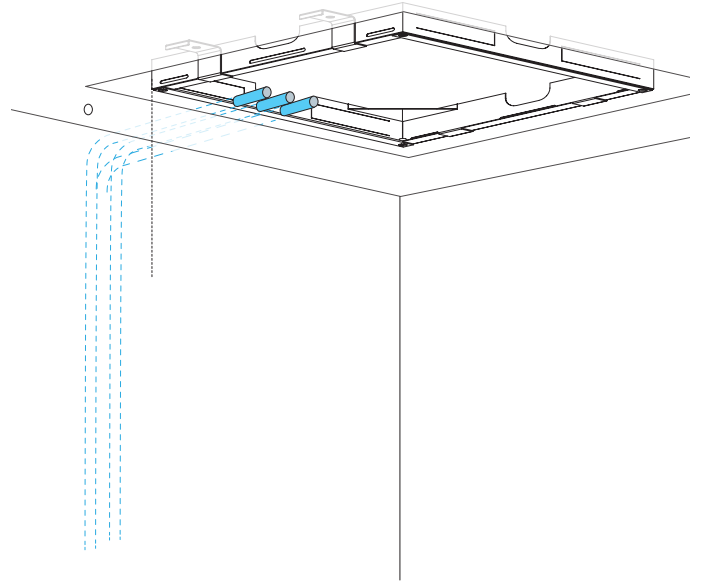
*not included

Shower Head Installations Instruction

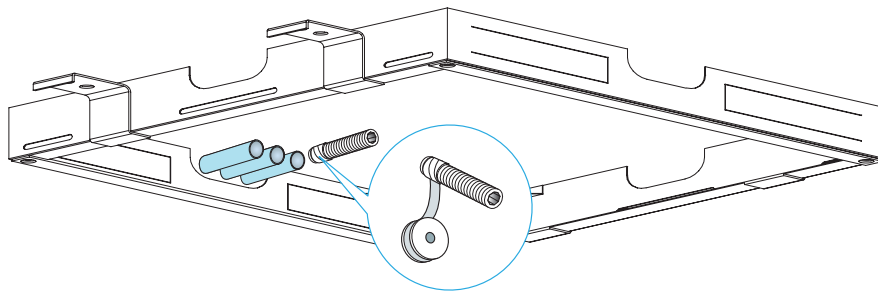
Step 1:



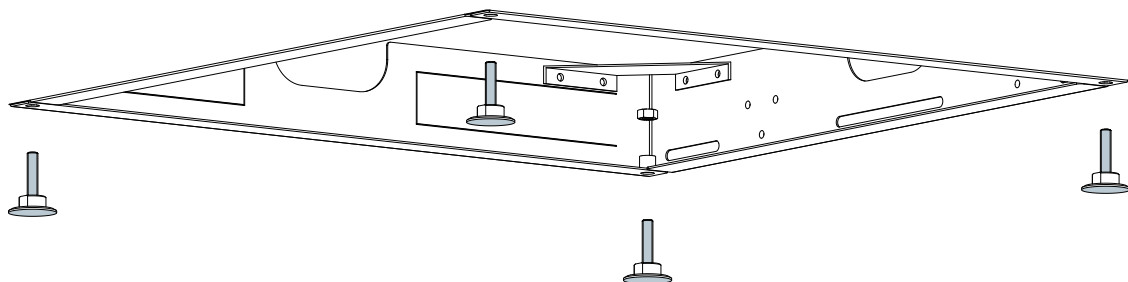
Step 2:



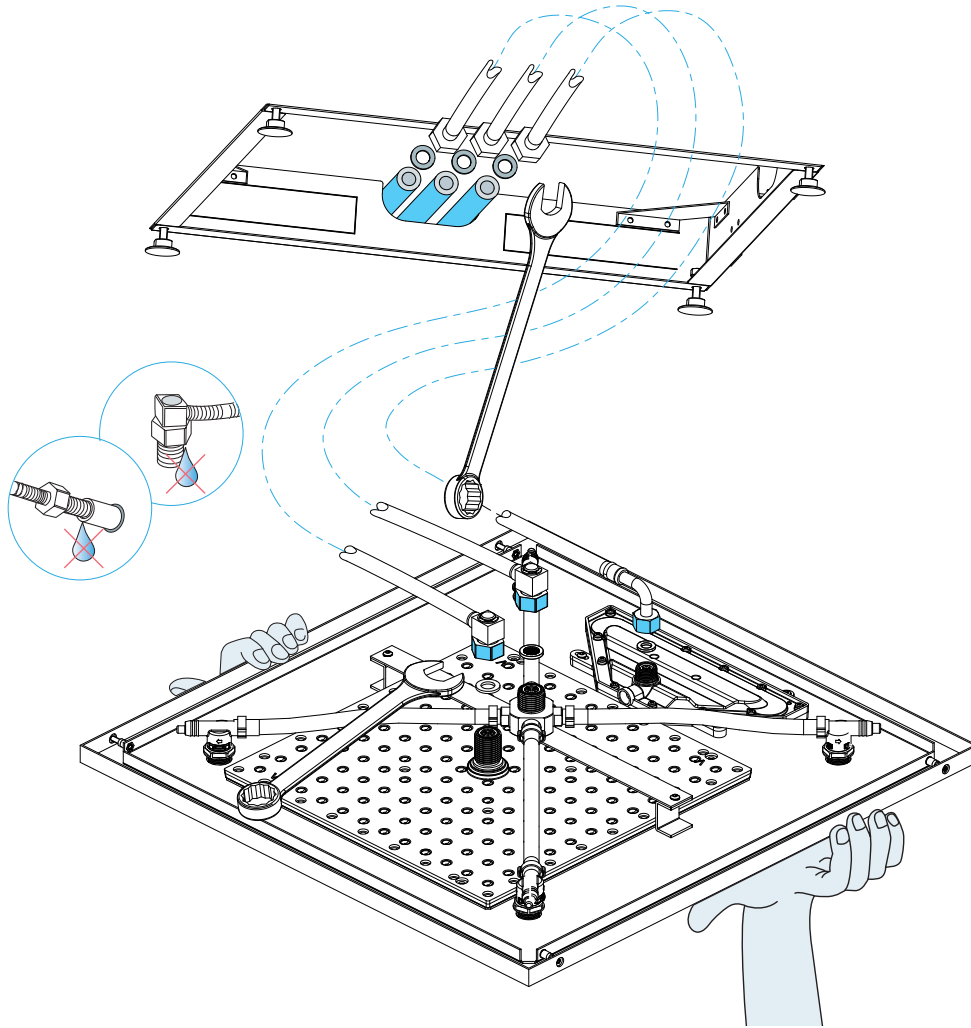
Step 3:



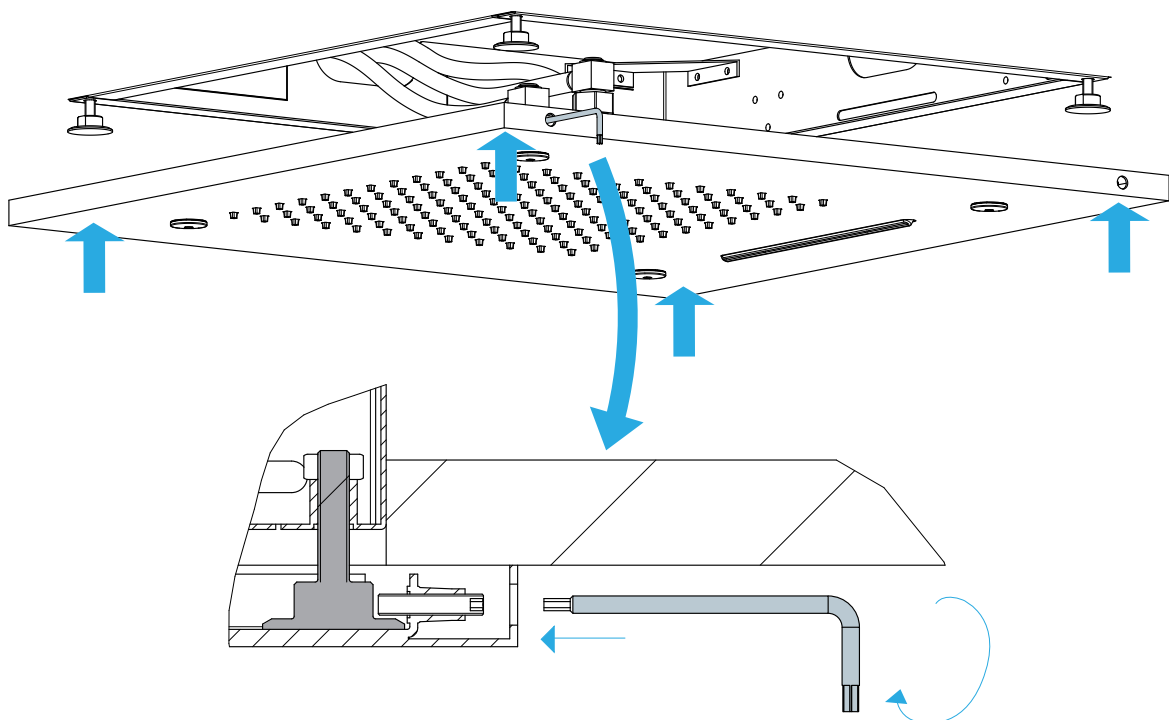
Step 4:



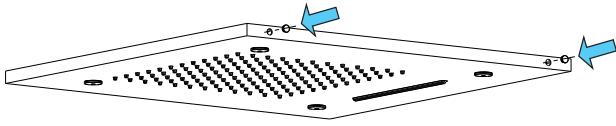
Step 5:



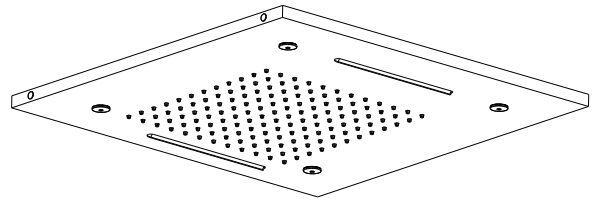
Step 6:



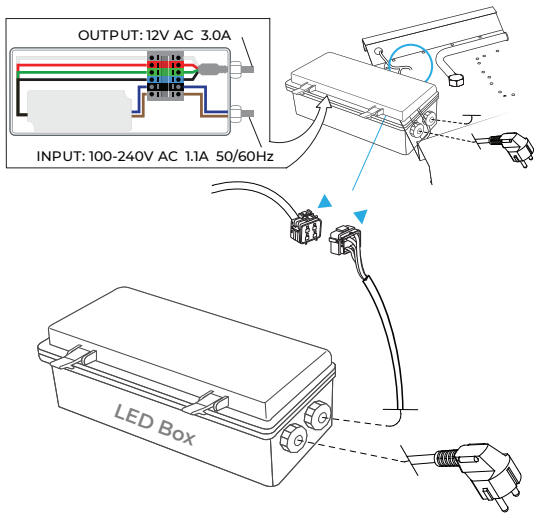
Step 7:



Step 8:



Step 9:



Step 10:





Phone control color

Kinds of color **64**
temperature adjustable

Color software App install Instruction
Download name:LedHome

IOS:<https://itunes.apple.com/cn/app/ledhome/id105692mt=81921?>
Android:http://zhushou.360.cn/detail/index/soft_id/3156463

QR Code 

 **WiFi**
Built-in WiFi



Kinds of color **64**
temperature adjustable

1: Remote control color



1:Turn ON/OFF
2:Color Touch Ring
5:Mode Switch
4/8:Dynamic Speed adjusting
3/6:Color Temperature adjusting
7/9:Dynamic Brightness adjusting



Kinds of color **64**
temperature adjustable

WiFi




Built-in WiFi

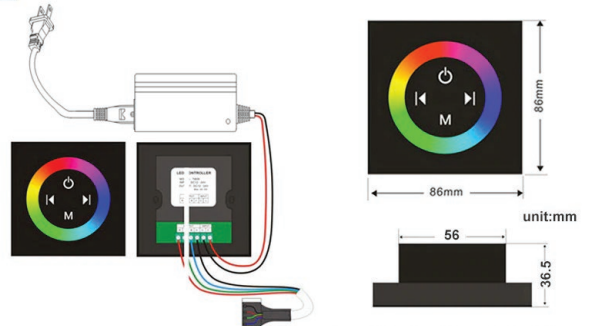
2: Phone control color

Color software App install instruction
download name: LED Home



1.Touch panel there are 4 buttons and a pulley key ,the functions are as follows :


-  You could turn on/off controller at any state;
-  Mode key,you can choose a different kind of color change,total 11 kinds of change patterns.
-  It is used for increasing/ reducing the output signal brightness of speed.



Typical Application

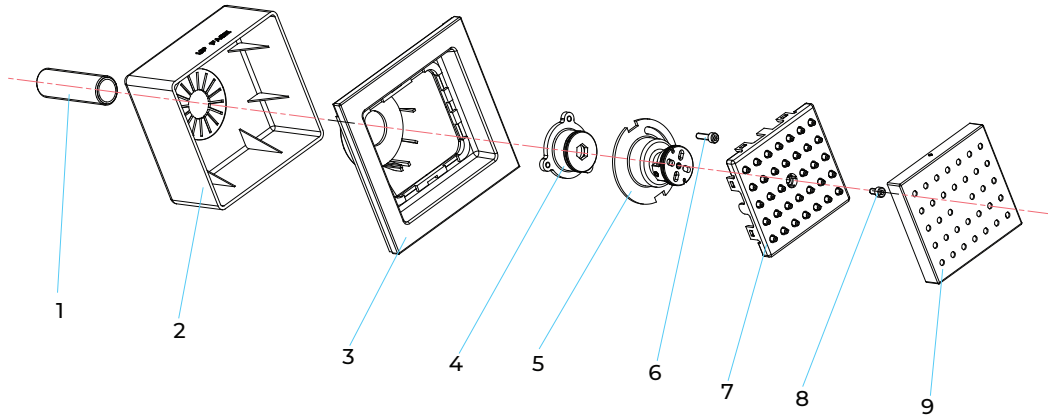
Remark:Need 86 bottom box use it together
The product not include the 86 bottom box

Safety Tips: The control panel do not touch water directly.

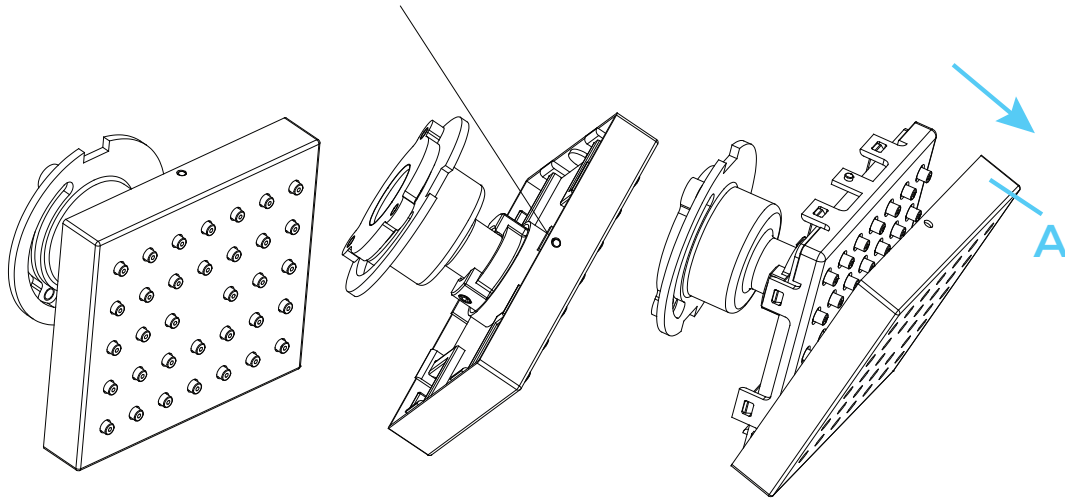


1.shower head	2.shower hose	3.shower holder	4.hand shower
5.shower controller	6.drill nail wall*4	7.Installation tool	8.shower spout
9.lateral jet head*6			

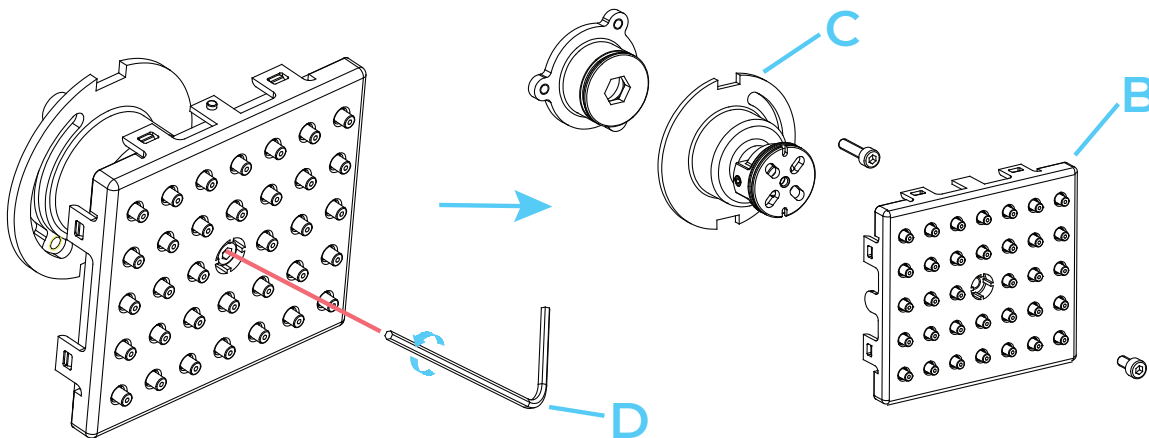
Square Body Jets Spray Installations Instruction



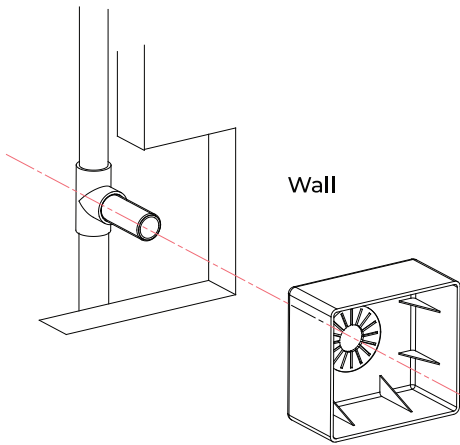
Parts : 1.Pipe, 2.Plastic box, 3.Decorative plate, 4.Connector, 5.Body, 6.Bolt #6, 7.Outlet face, 8.Bolt #8
9.Outlet face



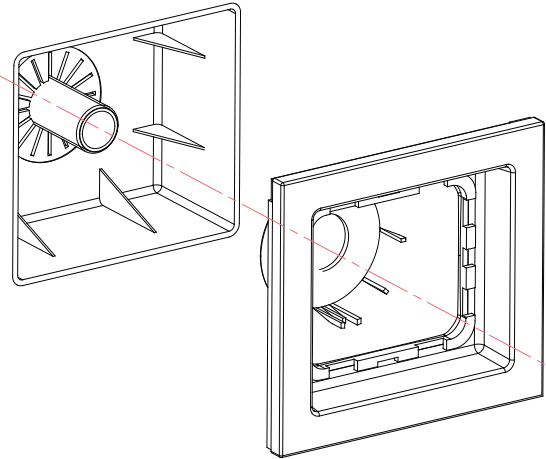
Step 1: Remove the decorative plate out of the body



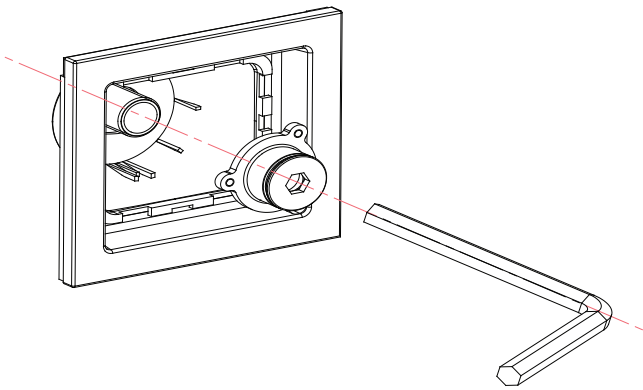
Step 2: Remove the screws from the outlet face (B) and connector body (C) with the Allen key (D).



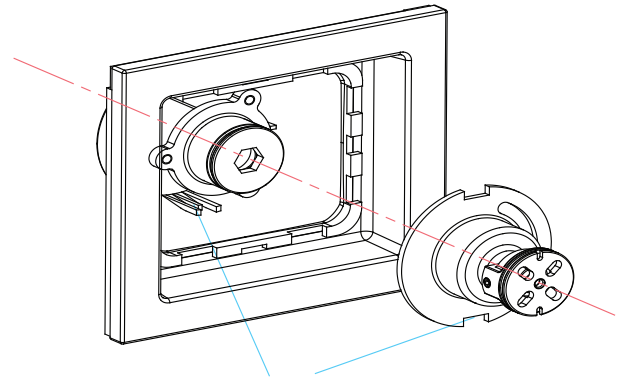
Step 3: Push the plastic box into the wall
IMPORTANT: Please make sure the UP FACE"marking is in the top position



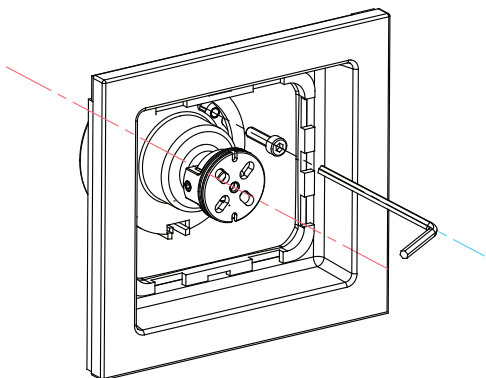
Step 4: Install the decorative plate assembly into the plastic box. Make sure the position is correct



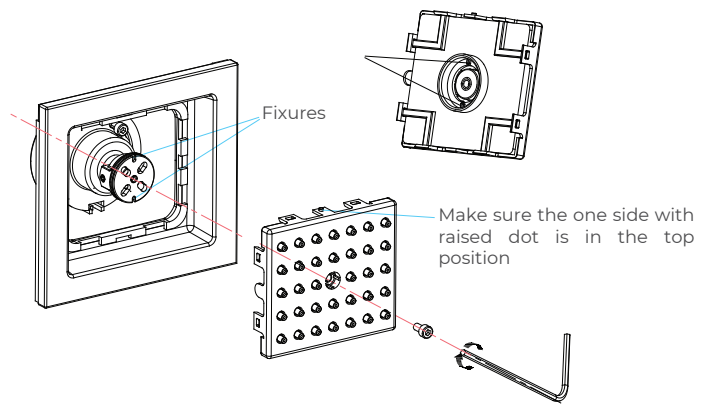
Step 5: Screw the connector into the pipe with H10 wrench



Step 6: Install the body assembly to the connector

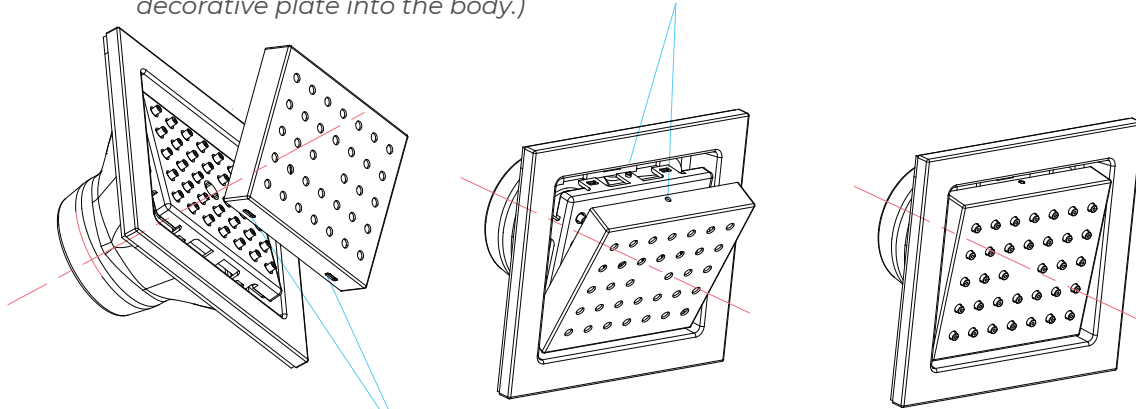


Step 7: Screw the bolt #6 into the body. Make sure the body and the connector are tight. The decorative plate should now be secure and will not move



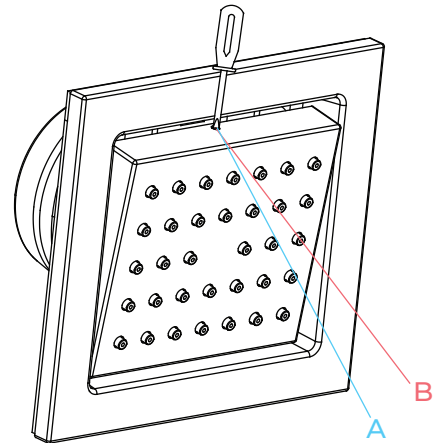
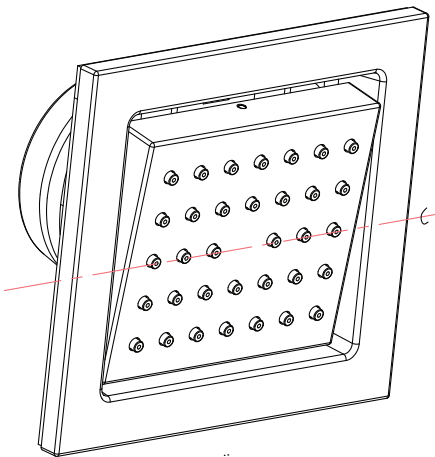
Step 8: Install the outlet face assembly to the body. Make sure the outlet face is fully seated onto the body. Screw the bolt #8 through the outlet face into the body (*Do not over tighten*)

(Make sure the hole and the raised dot are in the correct position when you push the decorative plate into the body.)



(This side is in the bottom position when push the decorative plate into the body first.)

Step 9: Screw the outlet face a little angled. Make the decorative plate have a little angle too when push it into the body. Adjust the outlet face when push the decorative plate in order to put it out of the decorative plate



Step 10: Products can adjust to the angle positions as shown below: face when push the decorative plate in order to put it out of the decorative plate

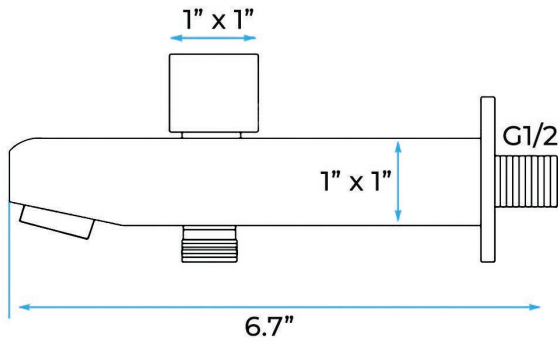
Step 11: Do not use abrasive sponges or microfiber cloths, corrosive cleansers, solvents or acids. We recommend that you do not use any anti-lime scale products or cleaners containing vinegar and acetic acid. Chemical cleaning agents may damage the product. Clean products using only mild soap or a wet cloth

A> Protect the decorative plate coating when remove it.

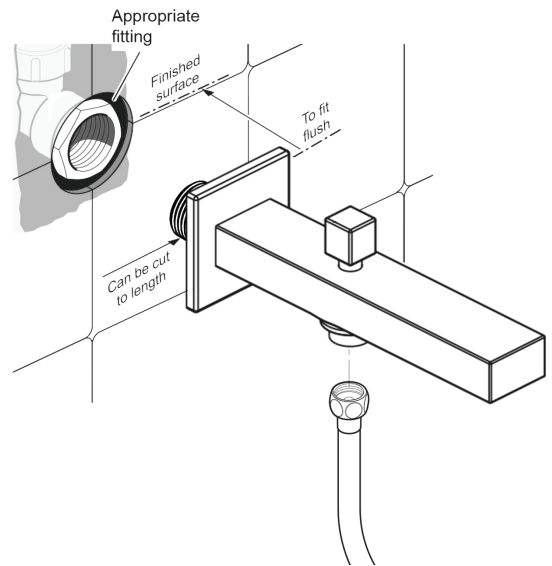
B> Use screwdriver to remove

Hand-Held Shower Installations Instructions

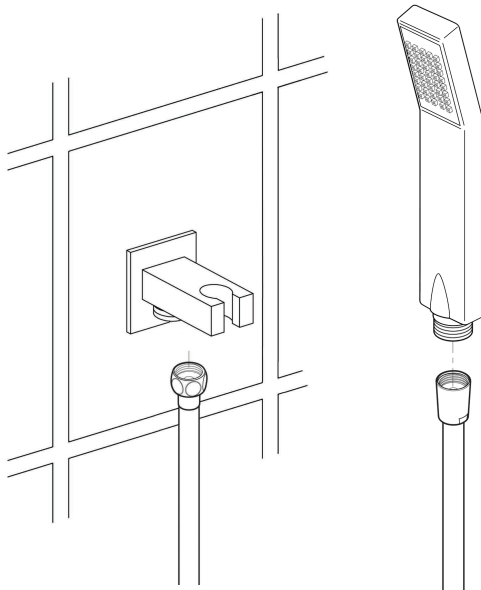
Step 1



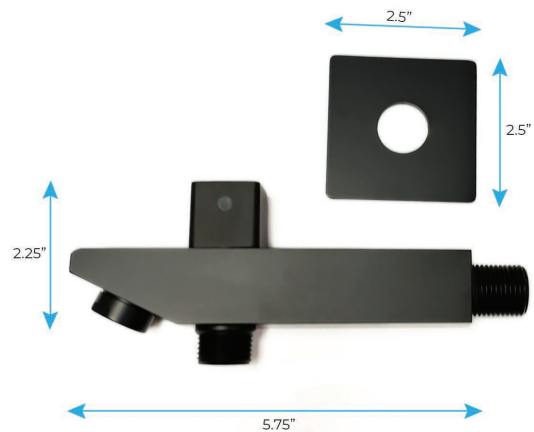
Step 2



Step 3



Step 4



Hand Shower Outlet Installation

• Complete the outlet pipework ensuring it ends in an appropriate 15mm x 1/2" BSP female thread elbow. Note: This fitting is not supplied as variations in installations require the selection of a suitable solder or compression fitting.

• Install the 'Wall Outlet', thread long male 1/2" BSP into the appropriate female fitting using PTFE tape to give a watertight joint.

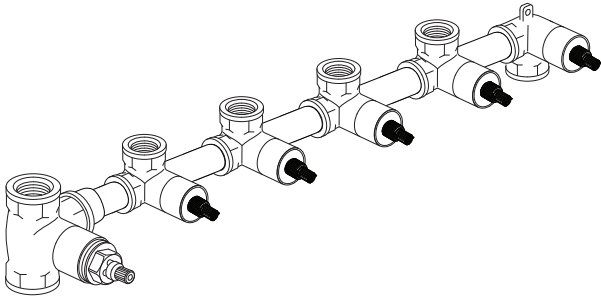
Note: The thread can be cut to size if required. Make sure that all debris is removed from the connector and the section that has been cut is dressed correctly, before installation.

The minimum required water pressure is 0.05 MPa (0.5 bar).

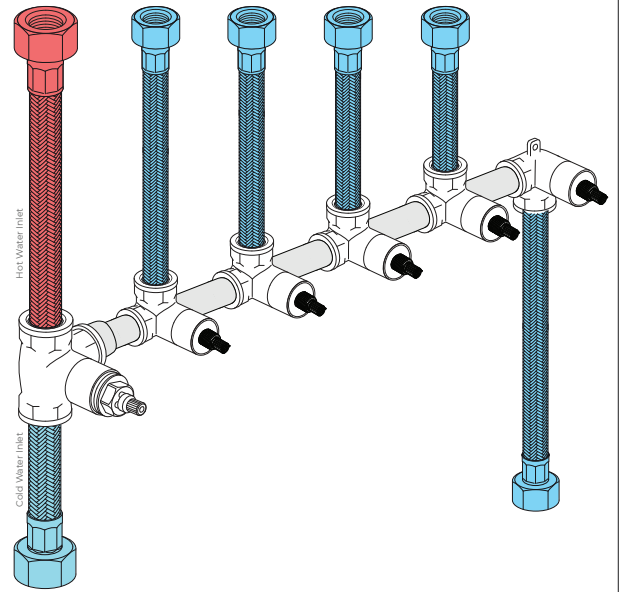
Flow rate 2.5 GPM (9.5 LPM).

Mixer Installations Instructions

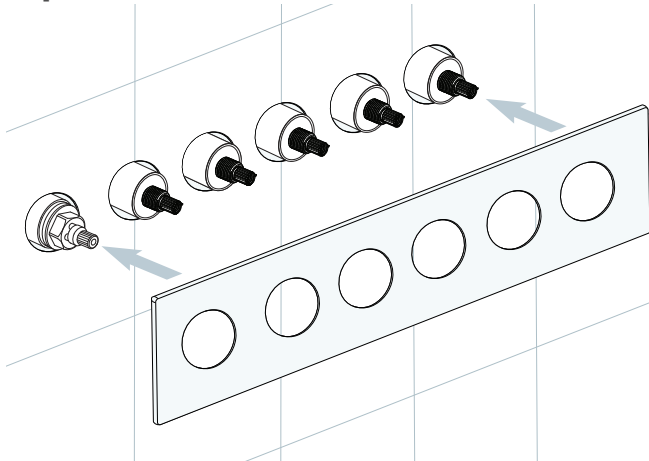
Step 1



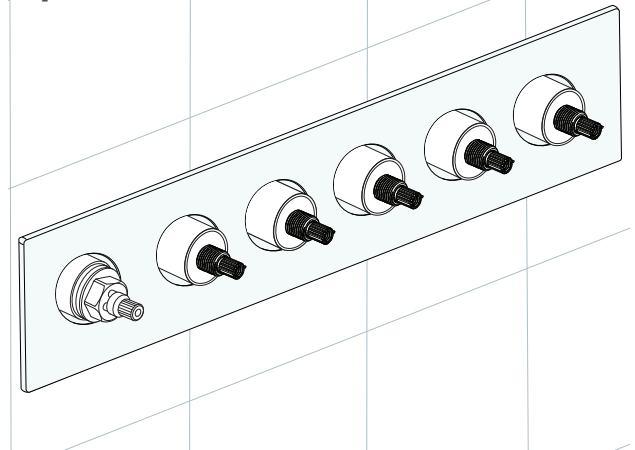
Step 2



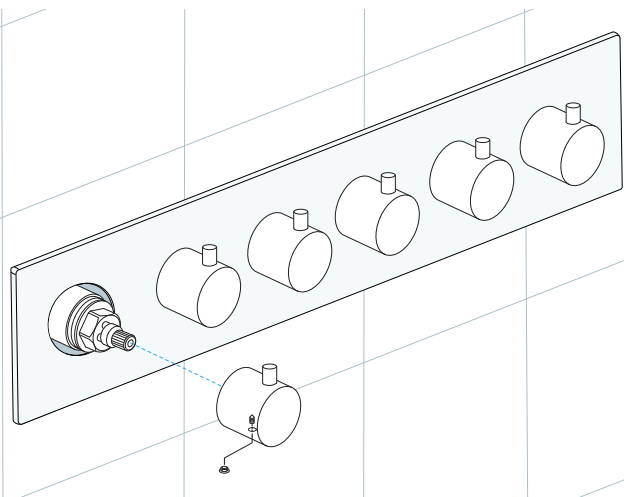
Step 3



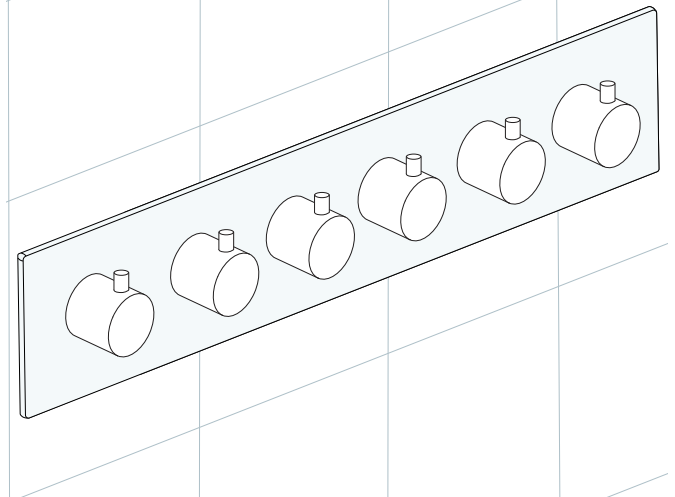
Step 4



Step 5



Step 6



- Release handwheel levers according to the above directions.
- Take apart the embed valve, panel, and handwheel.
- Dig the embed space for the pipe on the wall according to the specification of the valve.
- Dig holes according to the position of the screws.
- Use a hammer to thwack the screws into holes.
- Fix the valve body with screws.
- Find out the expansion screw heads with washer and spring washer. Use copper sleeve wrench to lock the screw heads with the embed valve body.
- After connecting all the pipes and before sealing the wall with concrete, confirm no leaking problem occur when you turn on the water.
- Fix the decorative panel on the embedded valve body.
- Screw the handwheel arms with the handwheels

General Information

All products manufactured and supplied by Fontana are safe and comply to legislative requirements. Providing they are installed correctly and receive regular maintenance in accordance with these instructions your user experience will not be affected.

Care & Cleaning

1. The product can be cleaned with warm water, a mild soap and a clean soft cloth.
2. Clean progressively and gently.
3. It is not required to use any abrasive cleaning pads, wire wool or micro-fibre cloths to clean the product.
4. Avoid a vigorous cleaning action, as this could contribute to denaturing and dulling the finish.
5. Abrasive or strong cleaning products containing ammonia, bleaches, alcohol, dyes, acids (hydrochloric, formic, phosphorus, chlorine or acetic) will be detrimental to the product finish.
6. If using a spray cleaner, apply the cleaning agent onto a soft cloth, never directly spray onto the product as the cleaner may enter gaps and openings and cause damage. Do not allow the cleaner to remain on the product for a period of time. After cleaning, rinse thoroughly with clean water.

