

FONTANA LUXURIOUS RECESSED LARGE LED WATERFALL RAINFALL SHOWER SYSTEM WITH 6 BODY JETS HAND SHOWER INSTALLATION INSTRUCTIONS



BEFORE YOU BEGIN

Before you begin, please read the installation instructions below. Observe all local building and safety codes.

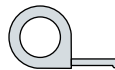
Unpack and inspect the items for any shipping damages. If you find damages, do not install.

Please note all products must be installed by a professional and certified plumber otherwise warranty might be voided.

POSSIBLE TOOLS REQUIRED*



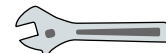
Plumbers Tape



Tape Measure



Level



Adjustable Wrench



Hex Wrench



Thread Sealant



Drill



Pencil or Marker

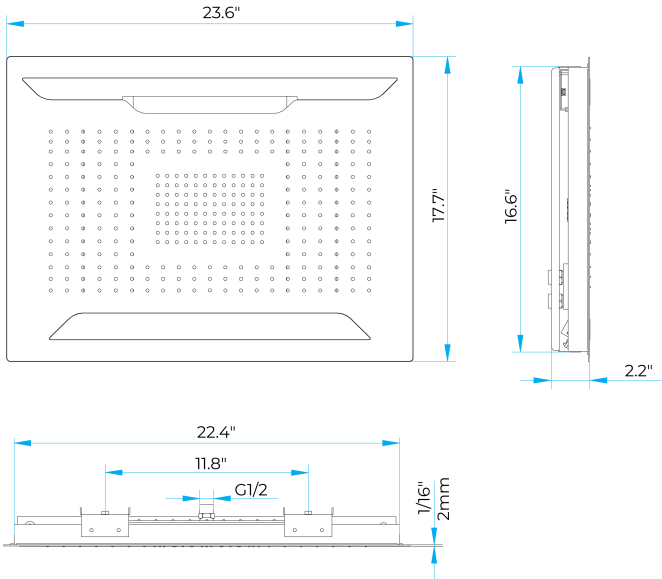


Screwdriver

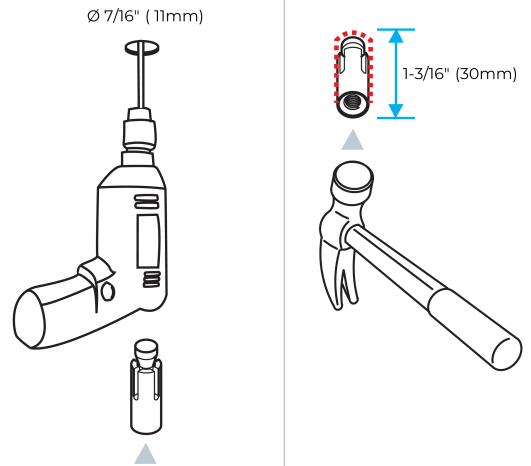
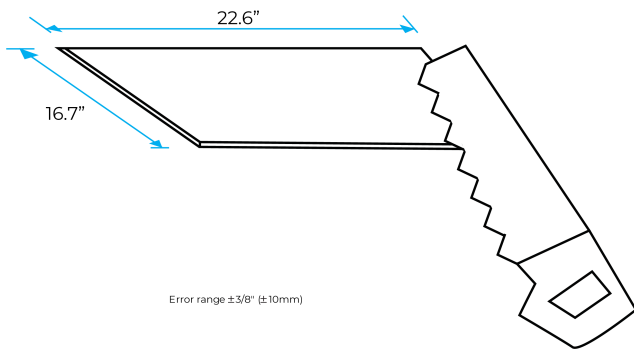
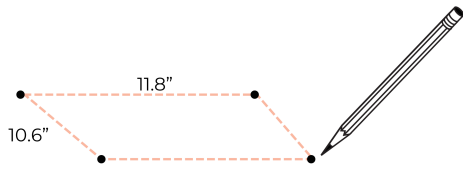
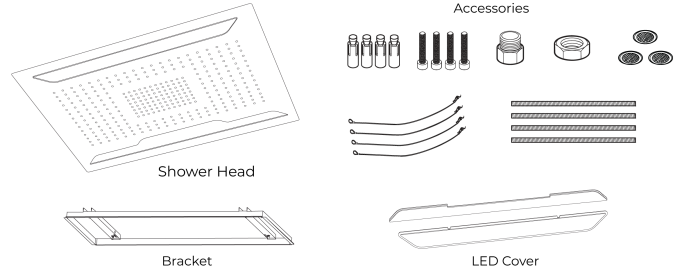
*not included

Shower Head Installation Instructions

Size:

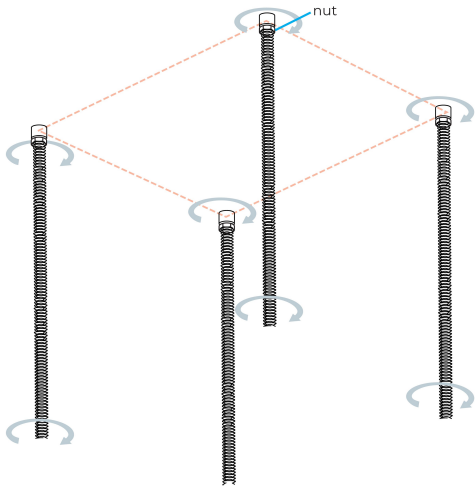


Parts:

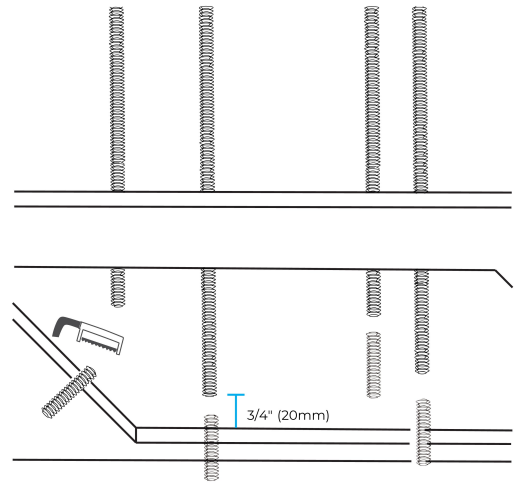


Step 1: Cut out a hole in the suspended (false) ceiling, install the fixture and mark the locations on the ceiling for the mounting plugs.

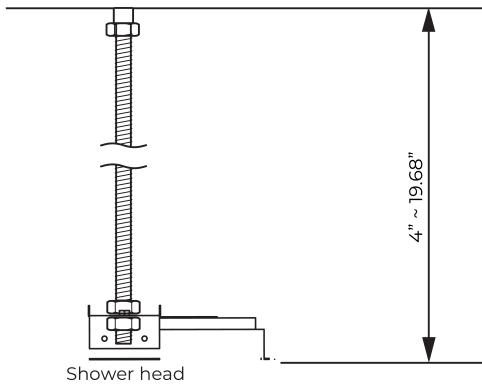
Step 2: Make 4 $\varnothing 11$ holes at the marked locations, push the mounting plugs into them and drive them home with the hammer.



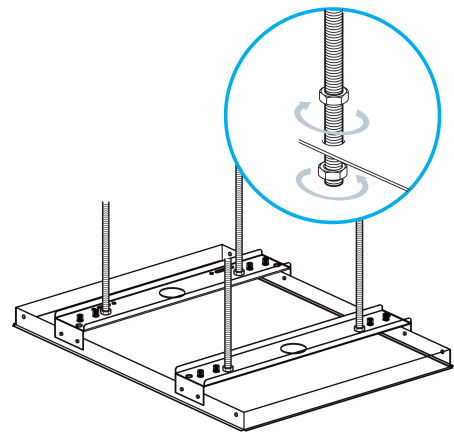
Step 3: Screw in 4 bolts into the plugs and lock them with the nuts.



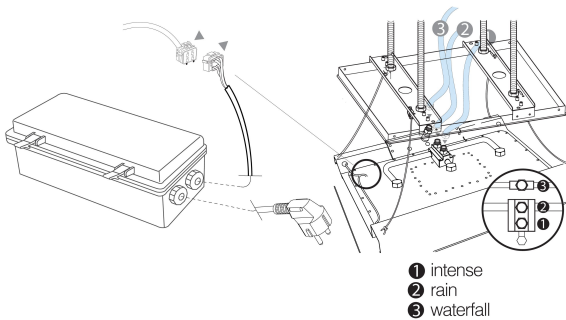
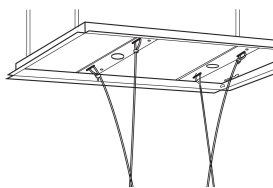
Step 4: Cut the bolts to size, if necessary, as shown in the drawing.



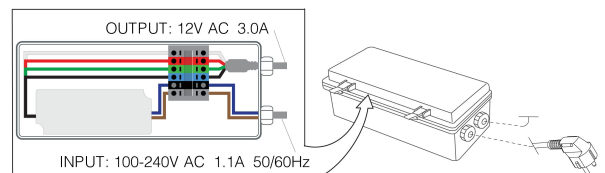
Step 5: Insert the fixture into the suspended ceiling hole.



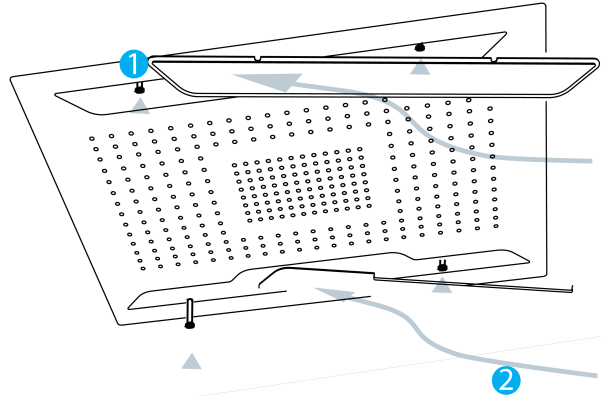
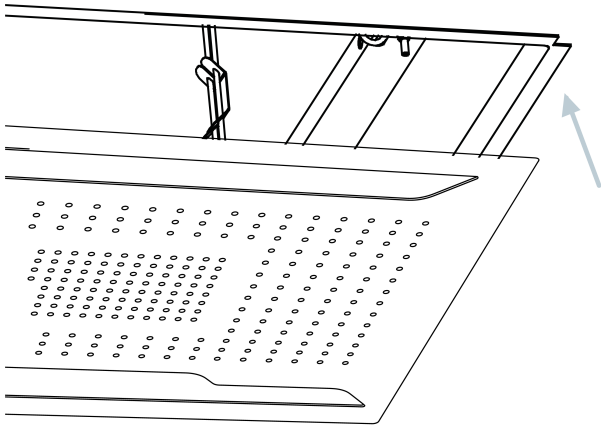
Step 6: Adjust the installation height by turning the nuts.



Step 7: Hoist the fastening cables.



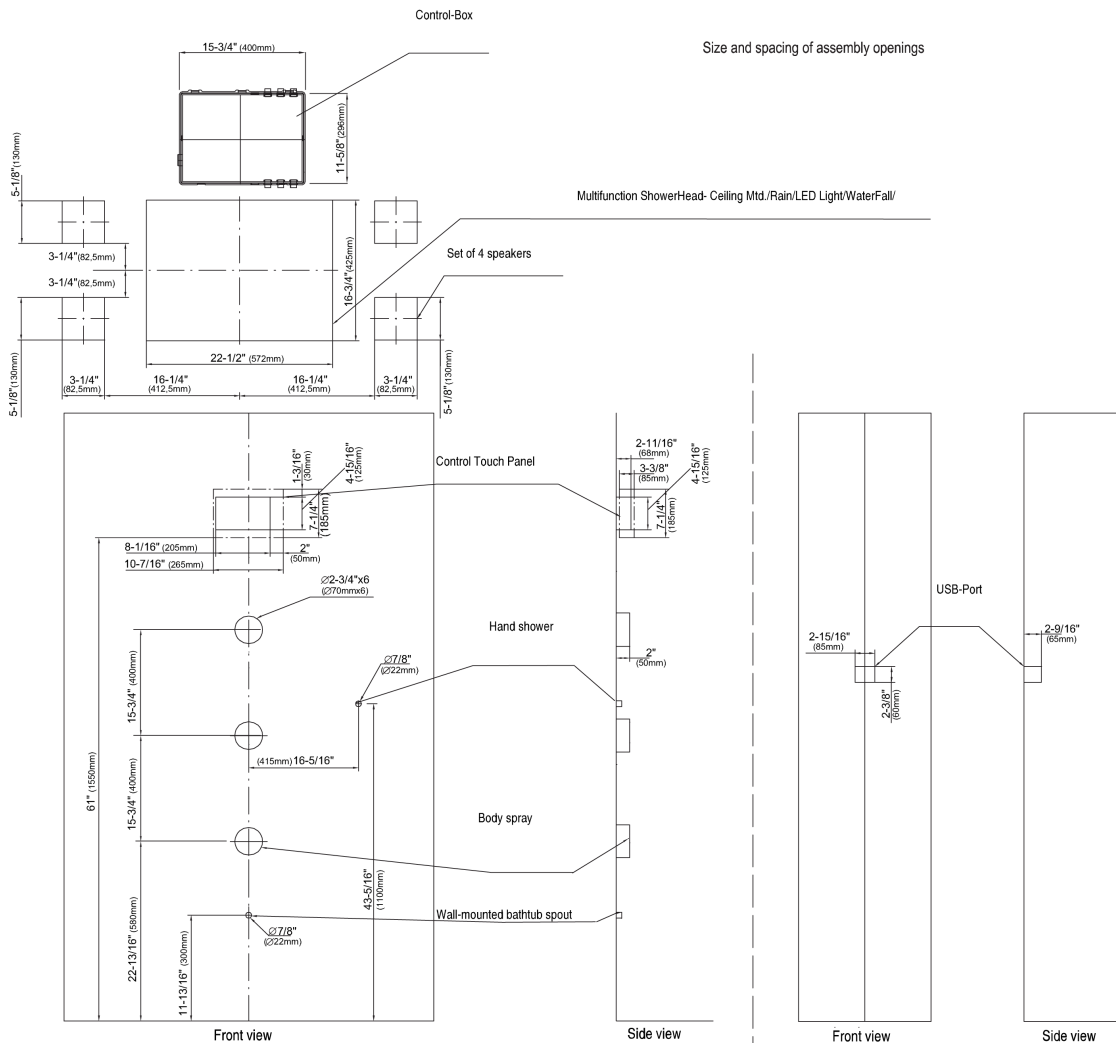
Step 8: Connect the supply lines.



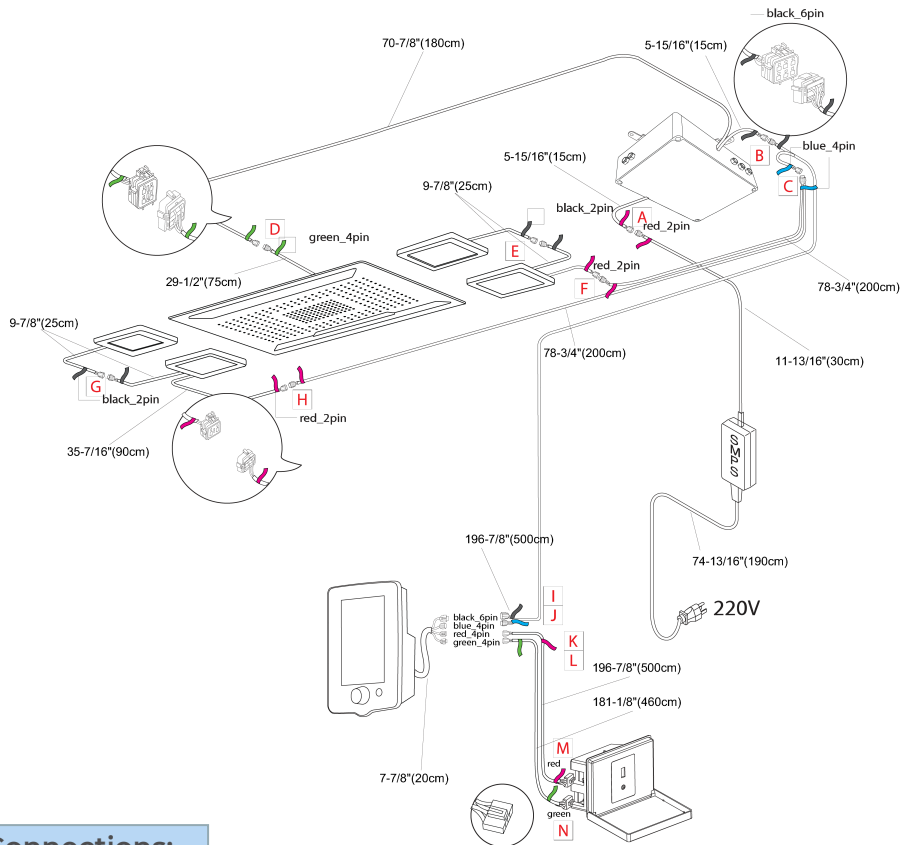
Step 9: Insert the rain shower assembly into the fixture.

Step 10: Tighten the 4 mounting bolts and insert the LED shrouds.

Shower System Installation Instructions

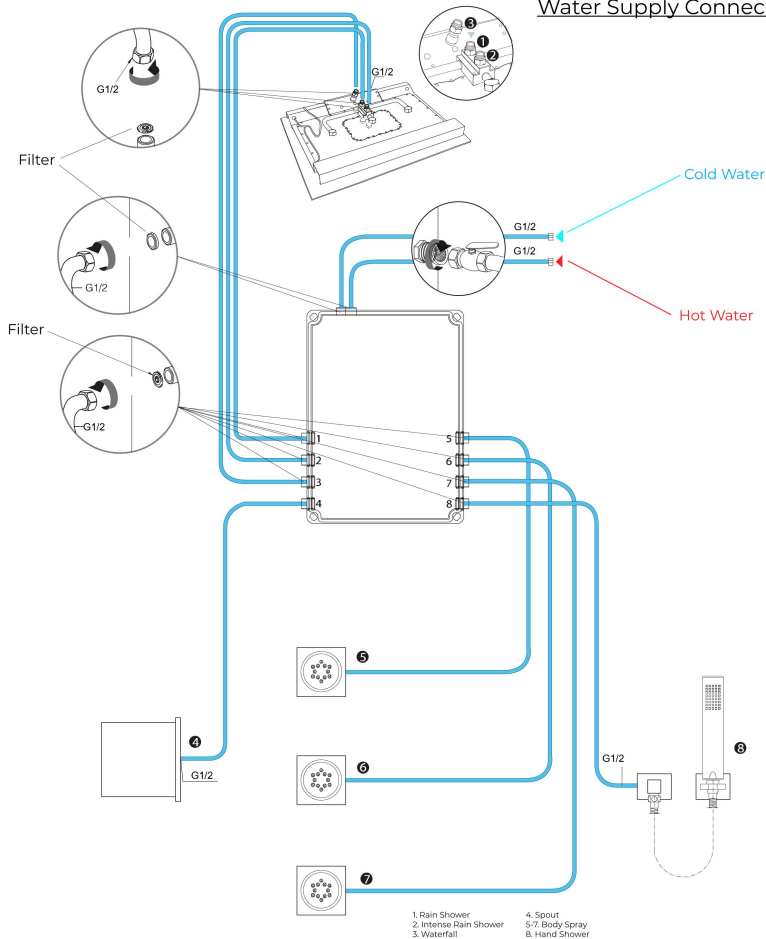


Wiring Connections:



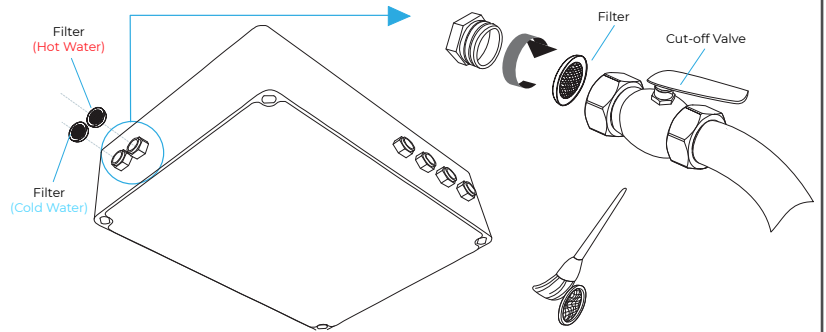
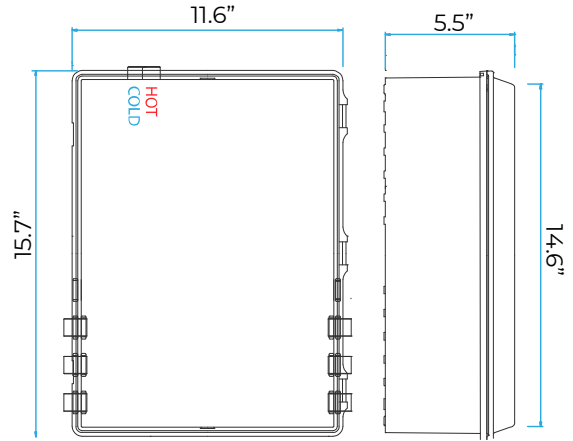
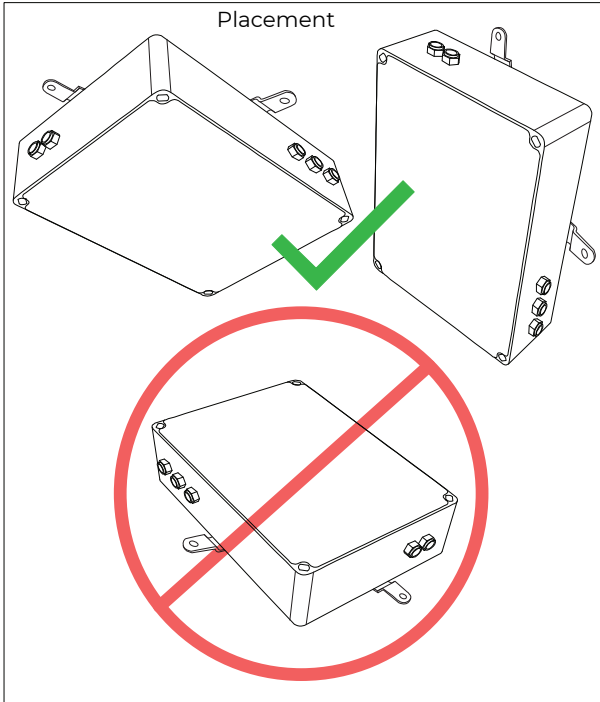
Water Supply Connections:

Water Supply Connection Diagram

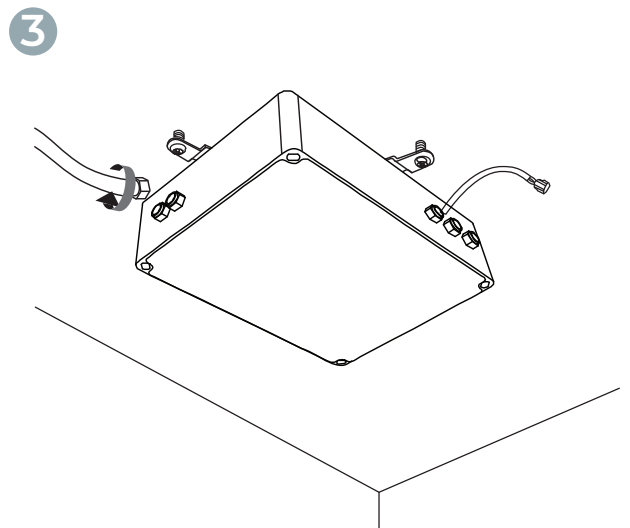
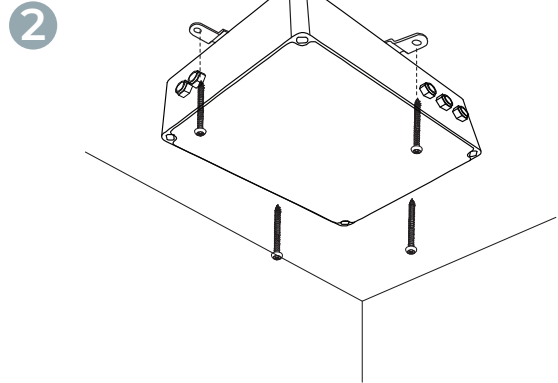
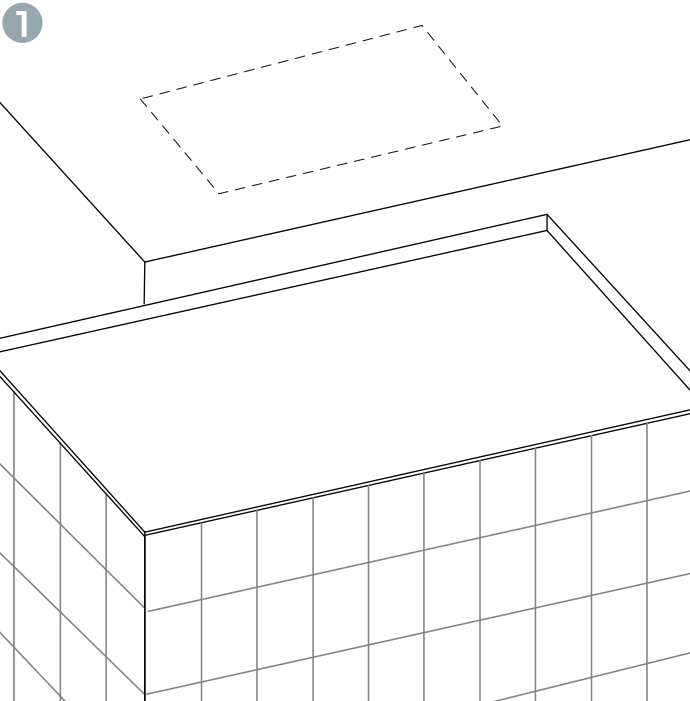


Function Box Installation:

Step 1:



Step 2:



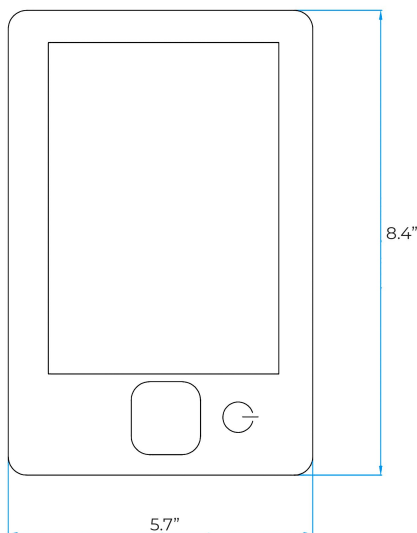
1. Prepare the installation location for the function block.
2. Fasten the function block with screws.
3. Connect the hot and cold water supply and the electrical wiring according to the diagrams.

Cleaning the filters:

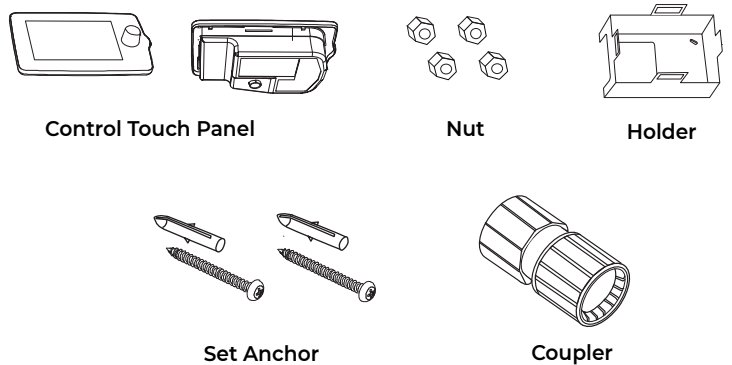
1. Close the hot and cold water supply to the function block.
2. Remove the nuts of the supply hoses.
3. Remove the filters.
4. Use a brush to remove all dirt and impurities.
5. Reassemble the filter, tighten the hose nuts and open the hot and cold water supply.

Control Touch Panel Installation

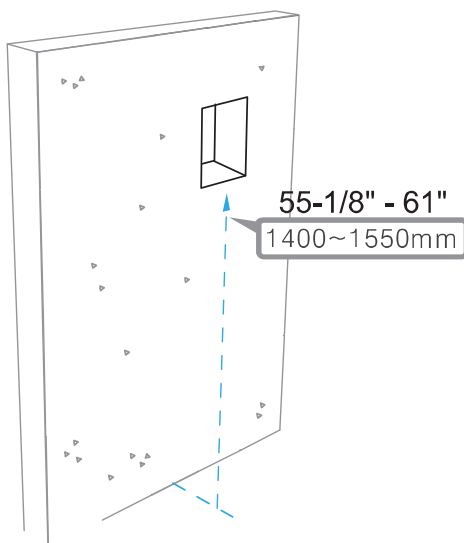
Size :



Parts :

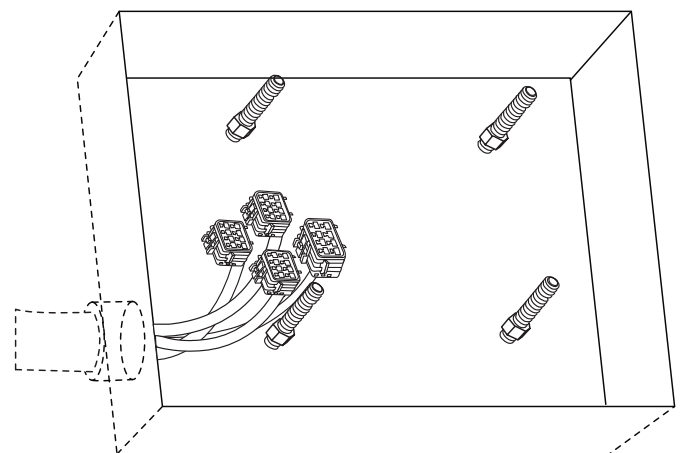


Step 1 :



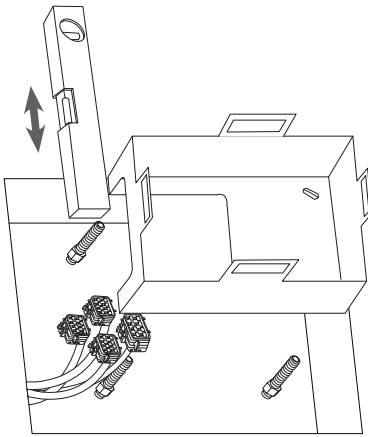
Suggested installation height of the touch panel.

Step 2 :



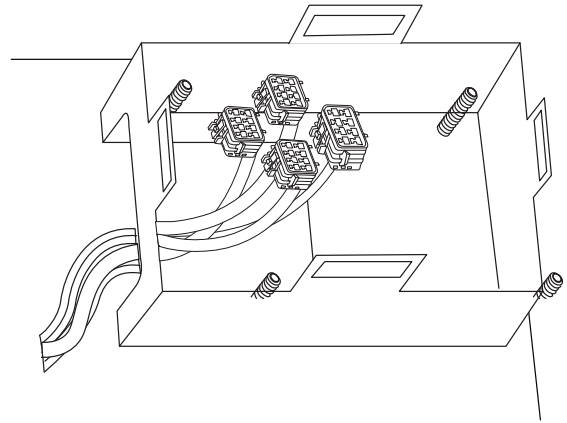
Verify that the nuts are threaded on the bolts.

Step 3:



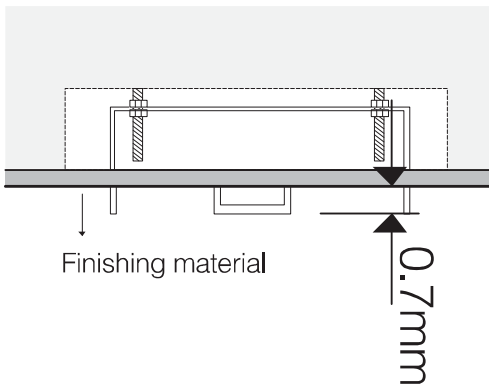
Verify that the fixture is located horizontally.

Step 4:



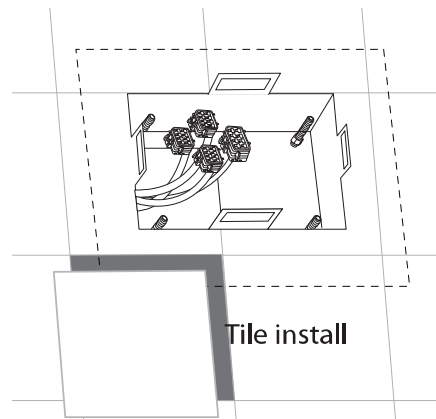
Adjust the fixture mounting depth by turning the nuts shown in Fig. 2 against the wall facing. The fixture should protrude over the wall facing by 0.7 mm.

Step 5:



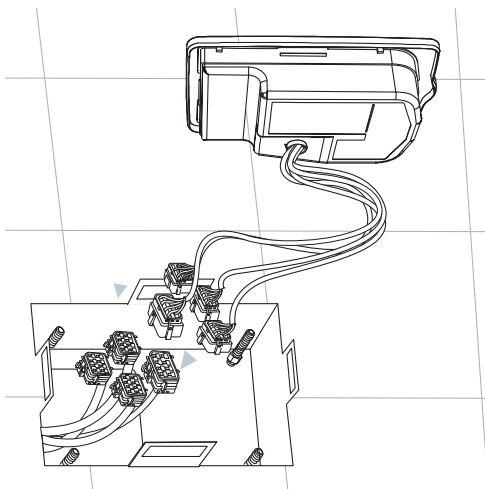
Suggested distance of the fixture edge from the wall facing.

Step 6:



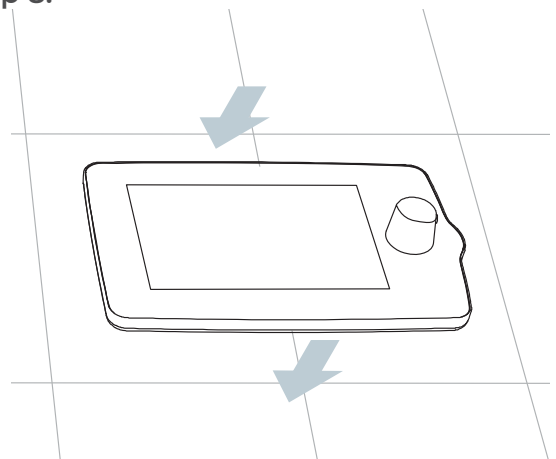
Fasten the fixture with the nuts. Finish the decorative surface.

Step 7:



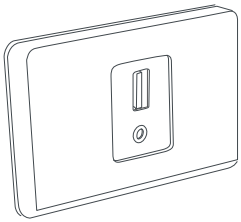
Suggested distance of the fixture edge from the wall facing.

Step 8:

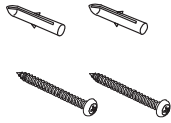


Install the control panel by pressing it onto the fixture until you hear the click of engaging tabs.

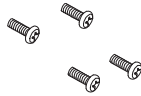
USB Port Installation Instructions



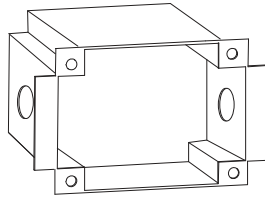
USB Port



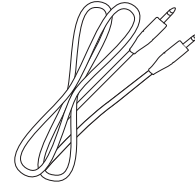
Set Anchor



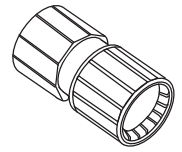
Bolts



Holder

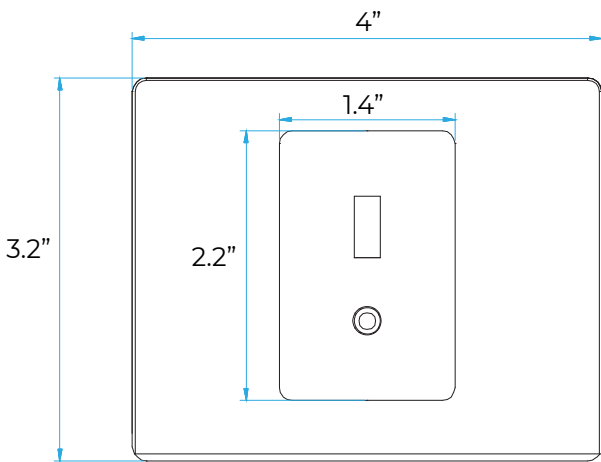


Stereo Cable

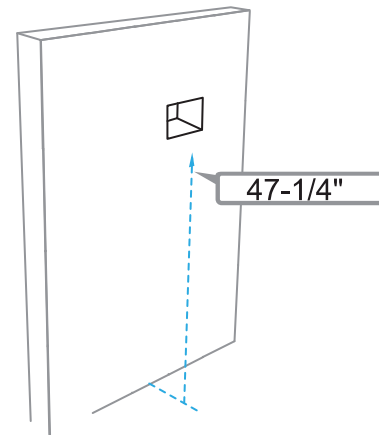


Coupler

Size:

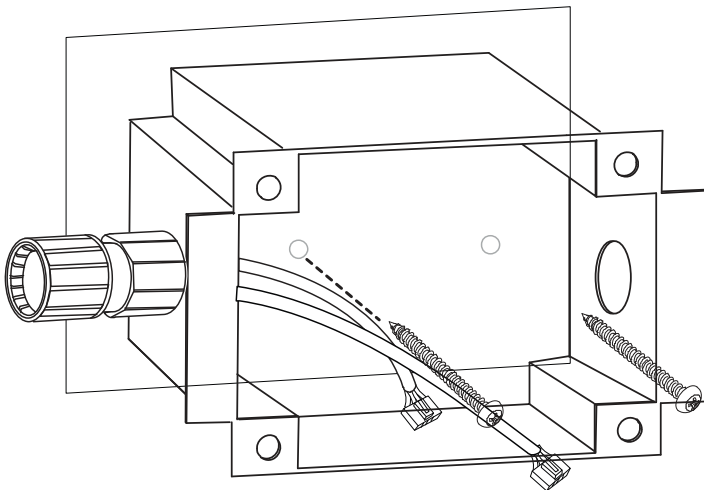


Step 1:



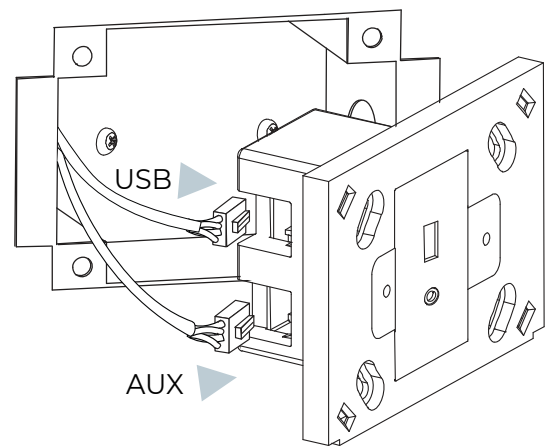
Dimensions and height of the mounting hole.

Step 2:



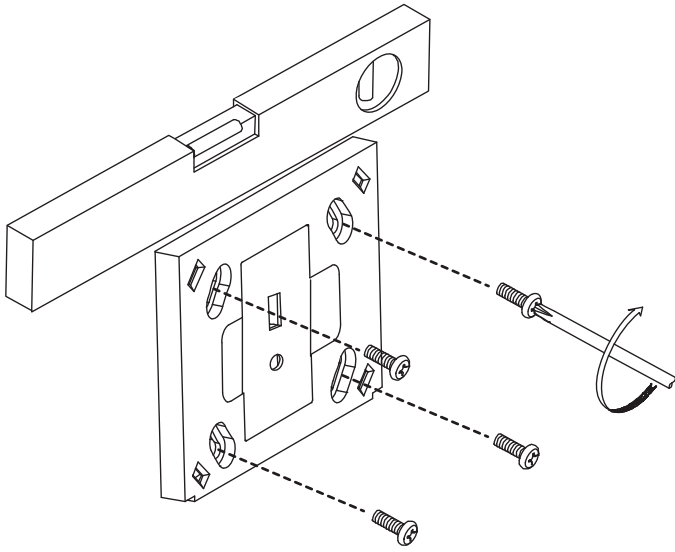
Fasten the fixture to the wall with screws.

Step 3:



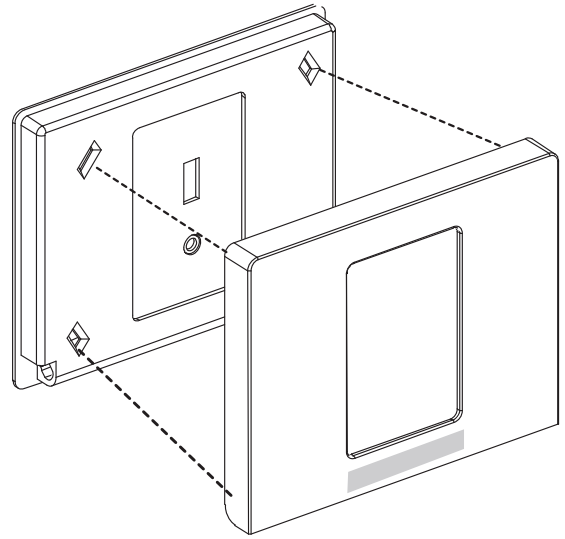
Connect the wiring as shown in the drawing

Step 4:



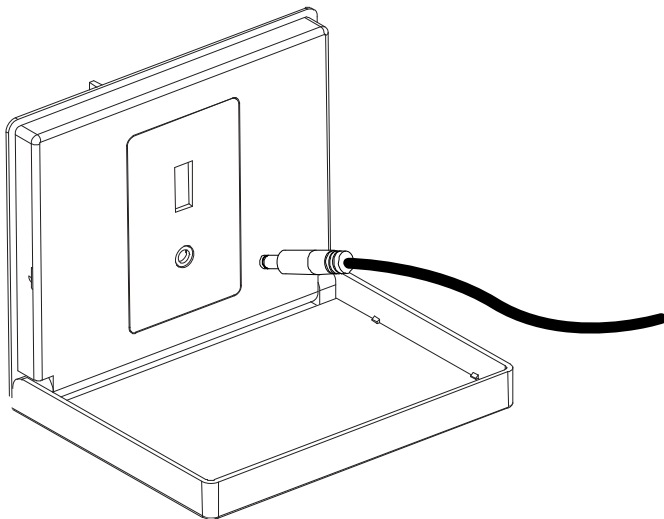
Adjust the USB port level and fasten with screws.

Step 5:



Install the outer housing.

Step 6:

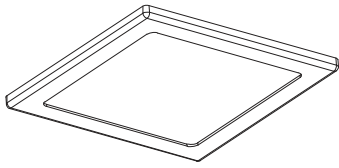


USB port is ready to use. .

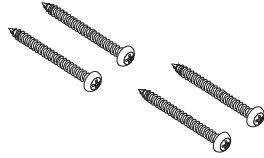
Product Image:



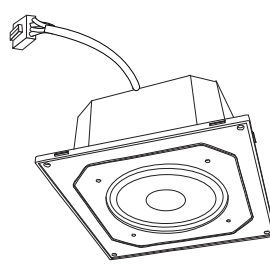
Speakers Installation Instructions



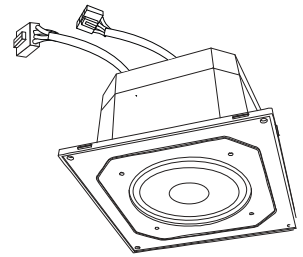
Speaker



Screws

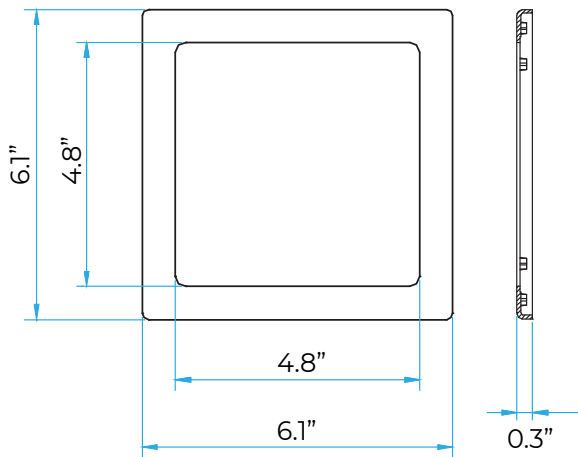


Tweeter

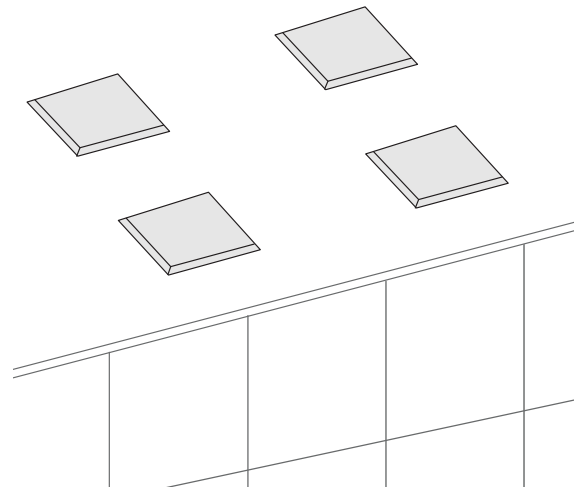


Woofer

Size:

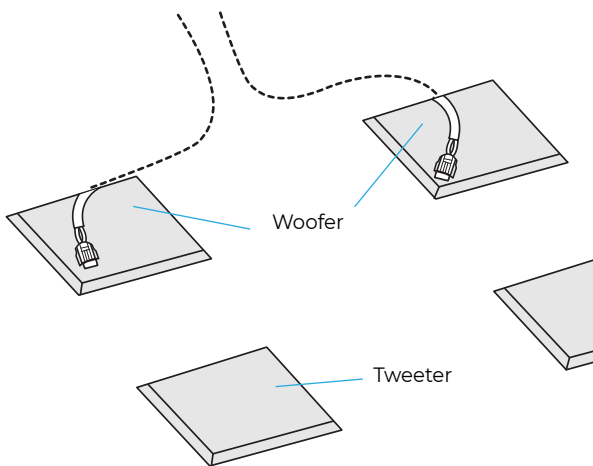


Step 1:



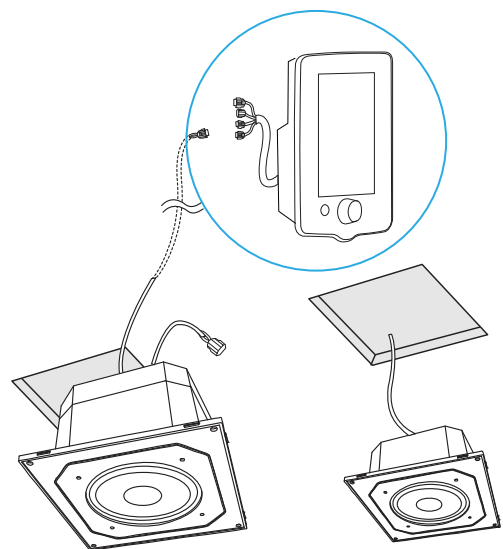
Make 4 holes in the suspended (false) ceiling.

Step 2:



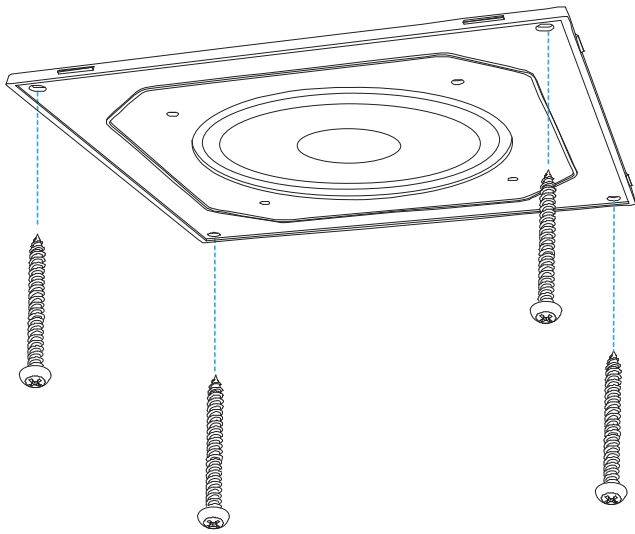
Route the cables to the speaker installation site.

Step 3:



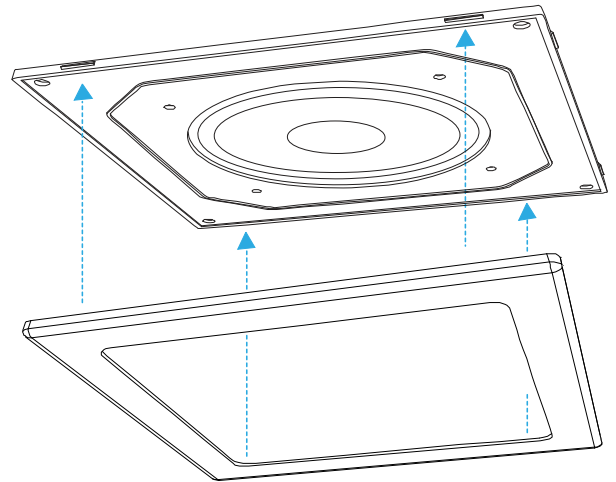
Connect the wiring as shown in the figure.

Step 4:



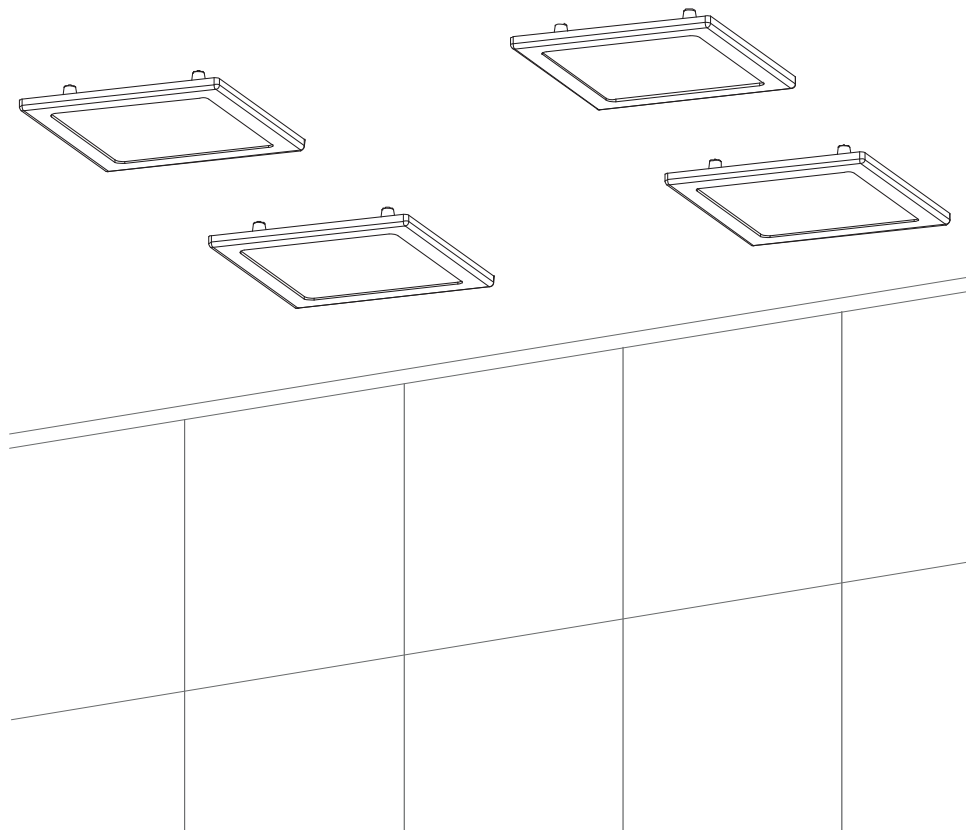
Make the electrical wiring connections as shown in the cable connection diagram.

Step 5:



Fasten the speakers to the ceiling with screws.

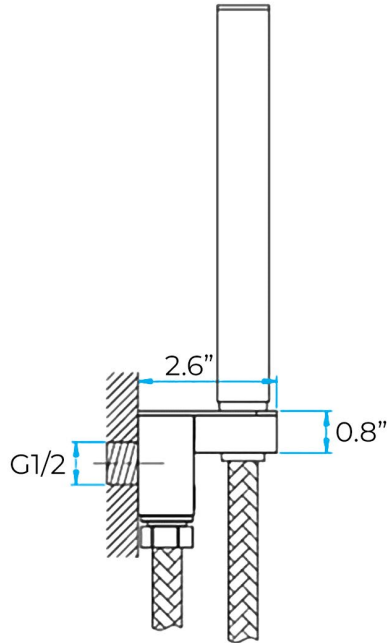
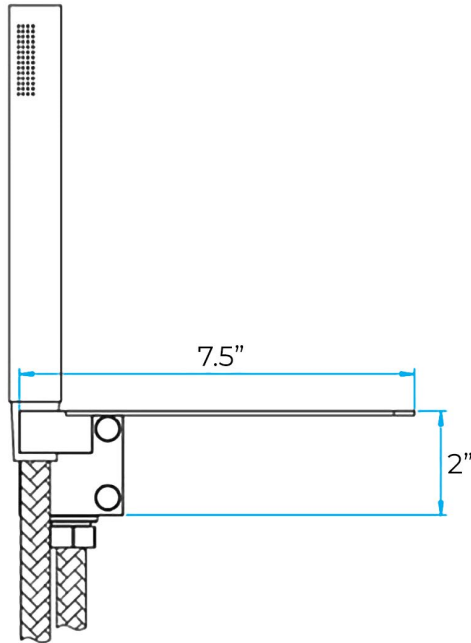
Step 6:



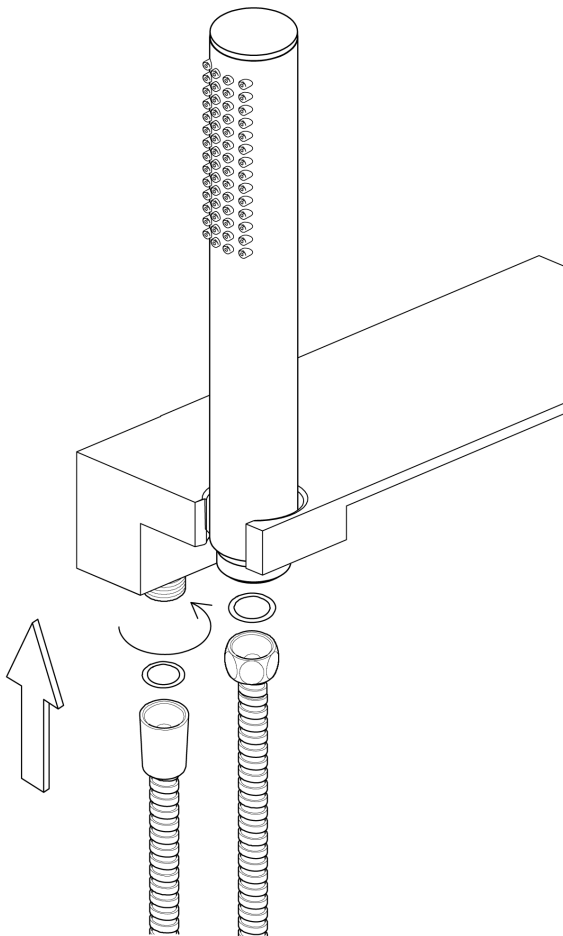
Speakers are ready to use.

Hand Held Shower Installation Instructions

Size:



Connection:

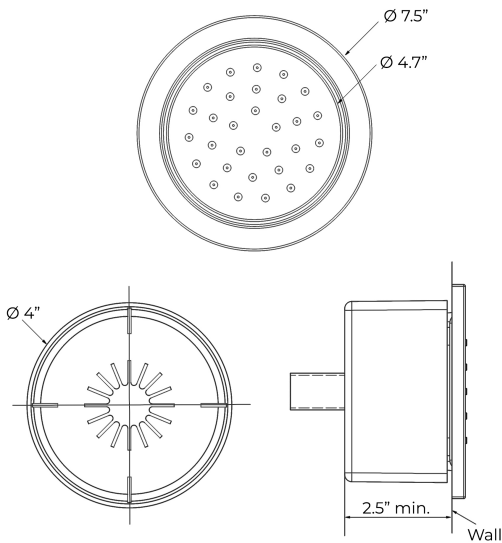


This stylish ultra-modern handheld shower head with a built-in water inlet and the handy shelf is a beautiful design feature for high-quality contemporary bathrooms. Made in brass with a chrome-plated finish this wall mounted shand hower with shelf unit is superb quality.

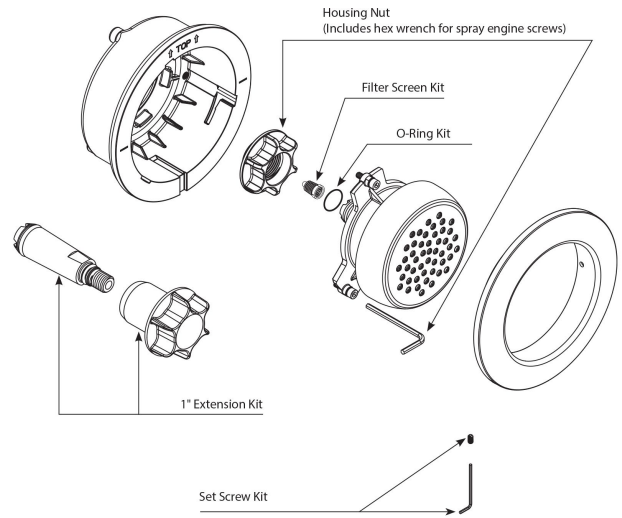
- * Latest modern styling.
- * Highly practical shelf.
- * Superior brass with chrome finish.
- * Requires min. 0.2 bar.

Shower Body Sprays Installation Instructions

Size:

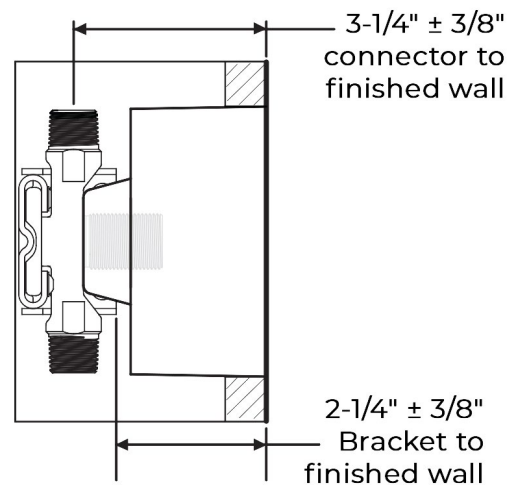
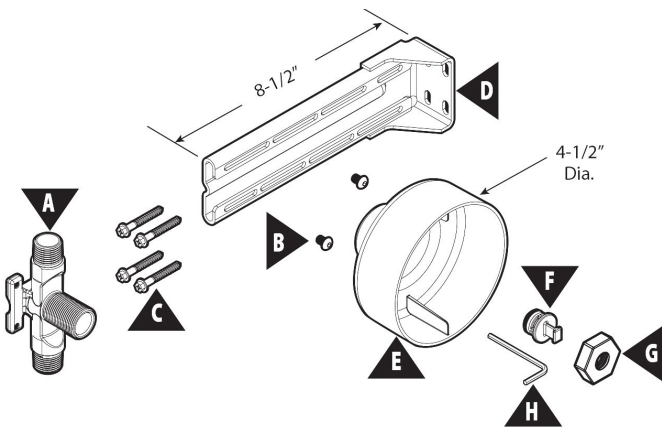


Step 1:



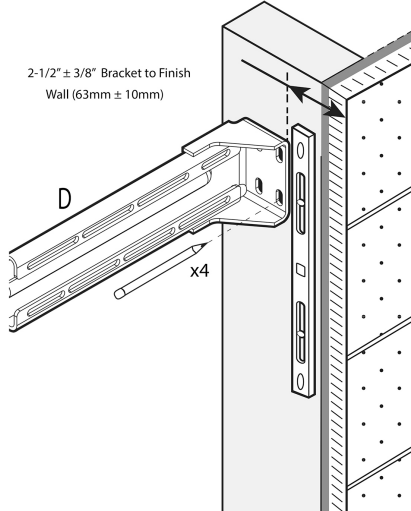
A. Connector B. Connector Screws (x2) C. Bracket Screws (x4) D. Bracket E. Plaster Guard
F. Test Plug G. Test Plug Nut H. 1/8" Hex Wrench

Step 2:

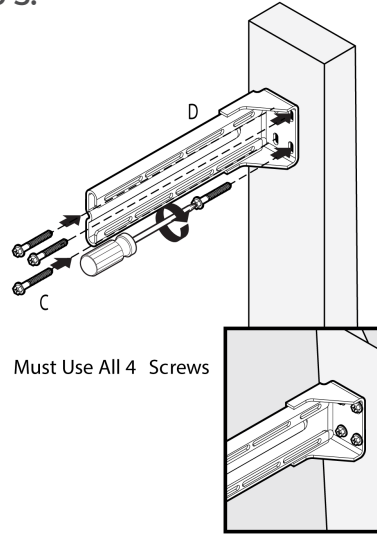


I. Housing J. Housing Nut K. Spray Assembly L. Grease Packet M. Trim Ring-Square N. Trim Ring-Round O. Set Screw P. 9/64" Hex Wrench Q. 1/16" Hex Wrench R. Filter

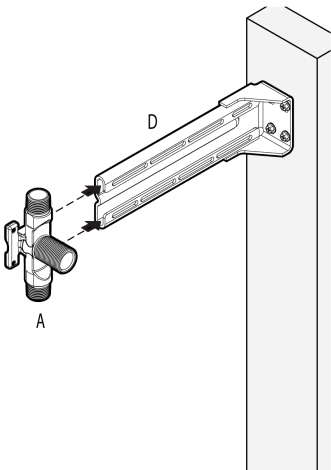
Step 4:



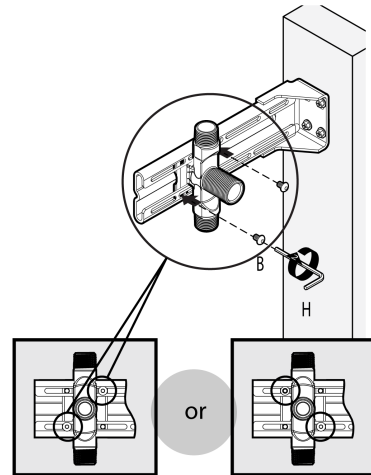
Step 5:



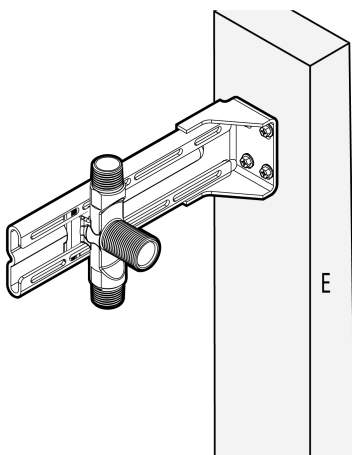
Step 6:



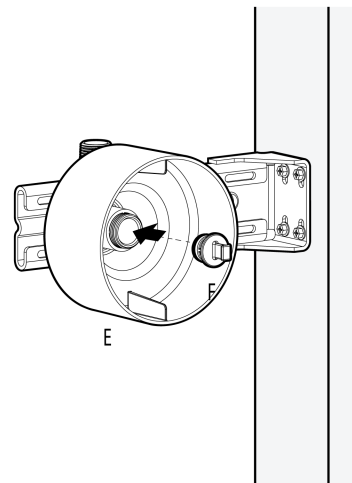
Step 7:



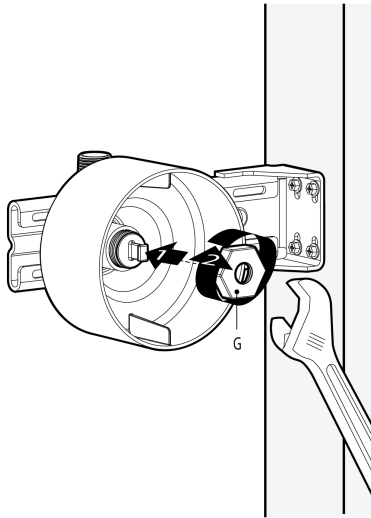
Step 8:



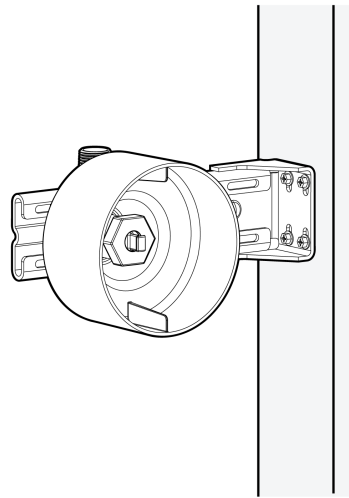
Step 9:



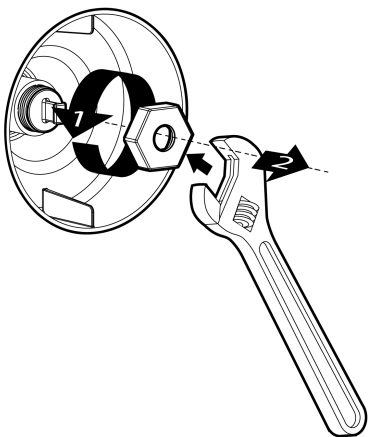
Step 10:



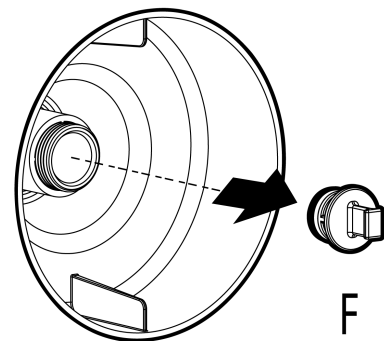
Step 11:



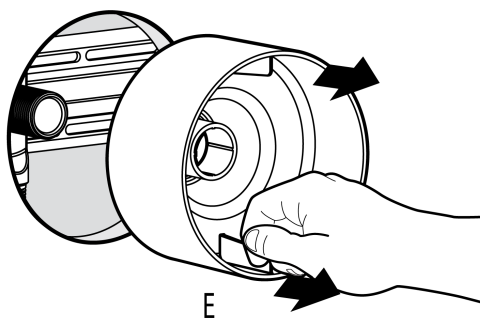
Step 12:



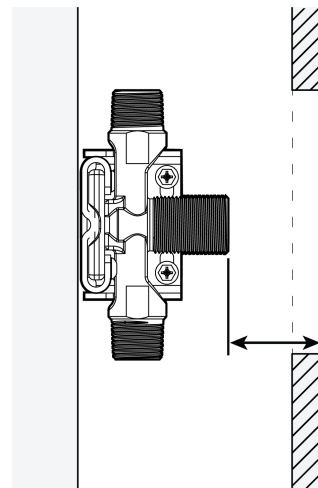
Step 13:



Step 14:

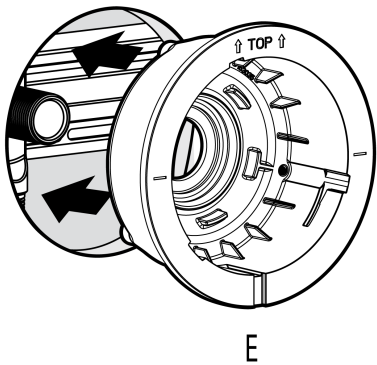


Step 15:

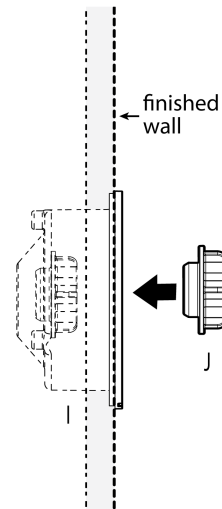


If distance is less than or equal to 2-1/8" (54mm), proceed to step 13. If distance is greater than 2-1/8", order 1" extension kit.

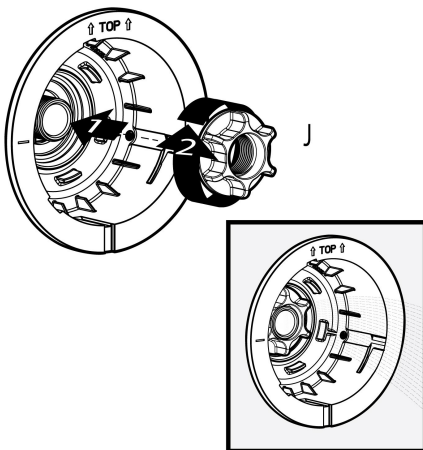
Step 16:



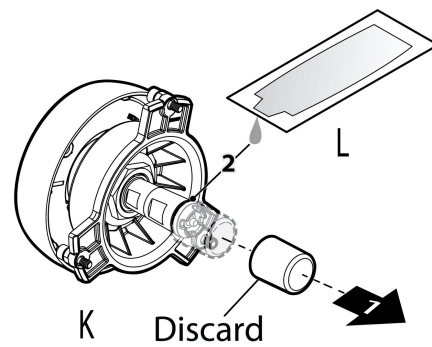
Step 17:



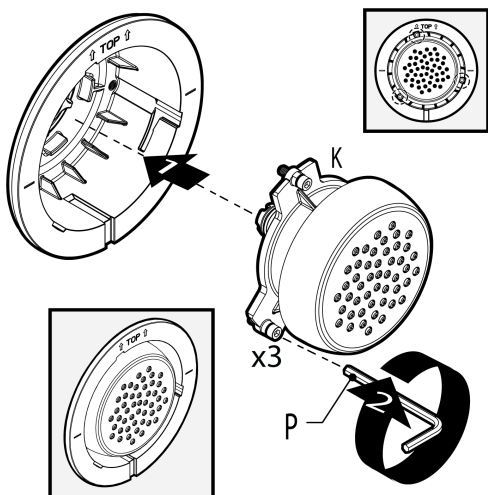
Step 18:



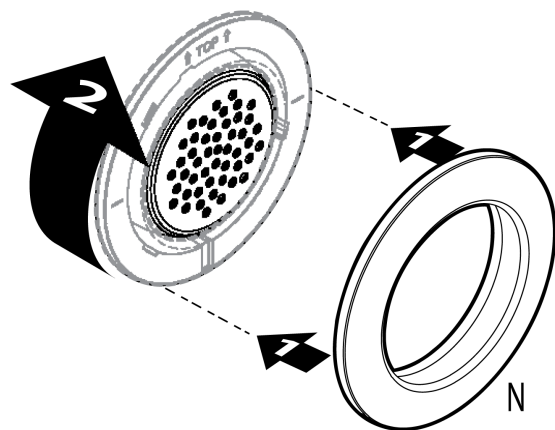
Step 19:



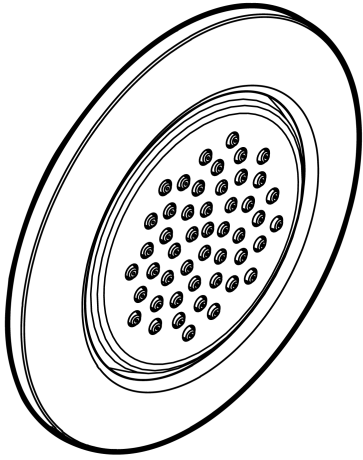
Step 20:



Step 21:



Step 22:



To Re-install:

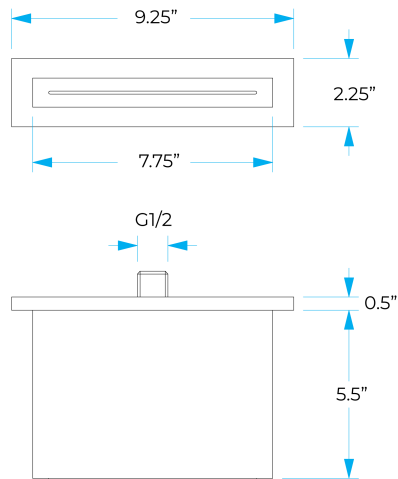
Reverse steps 20 through 22, then turn on water supply.

Bodyspray placement:

Custom shower systems are sized to the user or users. Bodysprays are normally placed at the upper back, middle back, and upper thigh. Always position bodysprays according to the preferences of the user(s).

Tub Spout Installation Instructions

Size :



Step 1:

