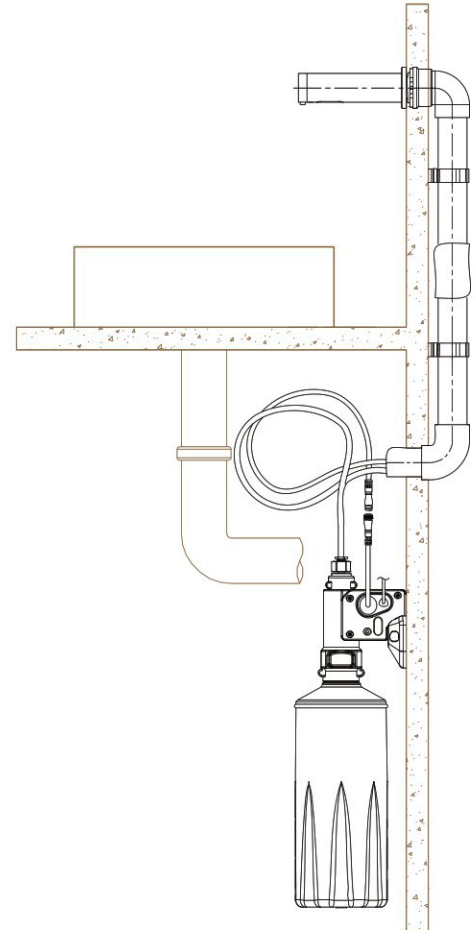
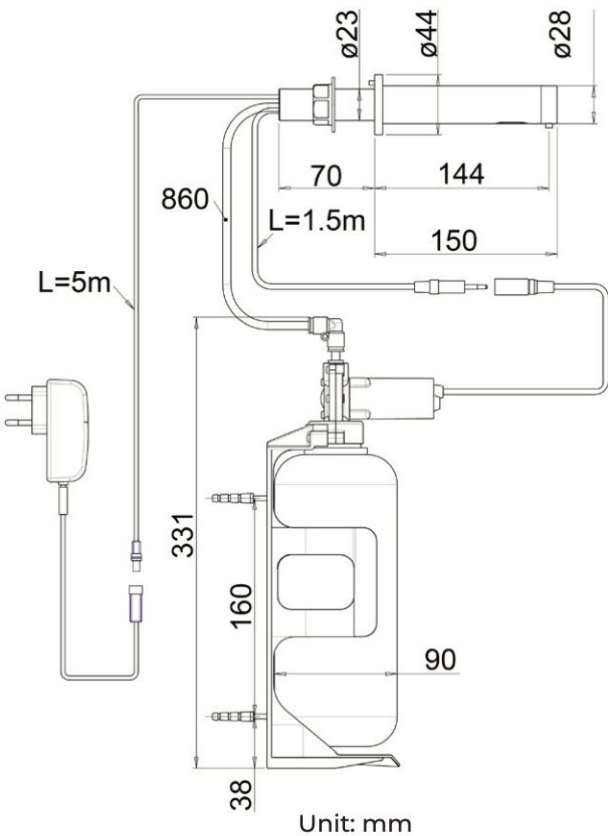
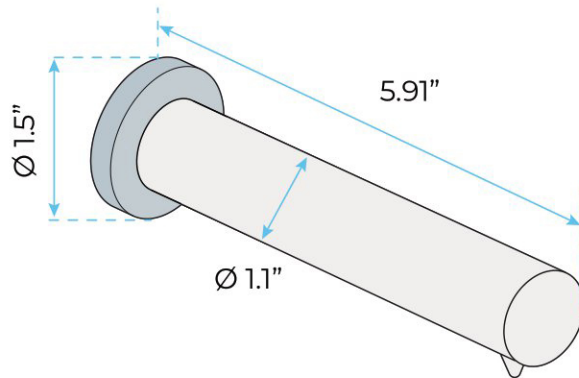


Fontana Chrome Wall Mount Commercial Automatic No Touch Soap Dispenser



Sensor : Infrared auto-adjustable
 Spout length : 150 mm
 Electrical supply : Transformer 230/12V or battery
 Capacity : 1 L tank (6 L optional)
 Soap : Liquid soap (viscosity 100 -3800 cPs)
 Dosage : 0.7 to 0.9 cm³ depending on soap viscosity
 Pump : Peristaltic pump



All dimensions and specifications are nominal and may vary. Use actual products for accuracy in critical situations.