

# CRETEIL FLOOR MOUNTED GOLD FINISH TUB SINK FAUCET SINGLE HANDLE WITH HAND SHOWER INSTALLATION INSTRUCTIONS



## PRIOR TO INSTALLATION

Please read installation instructions below. All plumbing should be installed in accordance with applicable building codes and regulations.

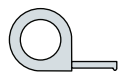
Unpack and inspect the items for any shipping damages. If you find damages, do not install.

All products must be installed by a professional and certified plumber otherwise warranty may be voided.

## POSSIBLE TOOLS REQUIRED\*



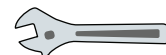
Plumbers Tape



Tape Measure



Level



Adjustable Wrench



Hex Wrench



Thread Sealant



Drill



Pencil or Marker

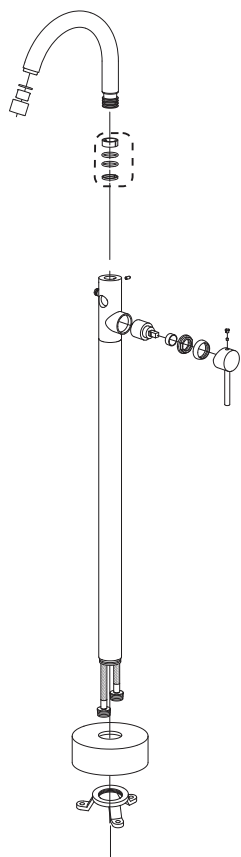


Screwdriver

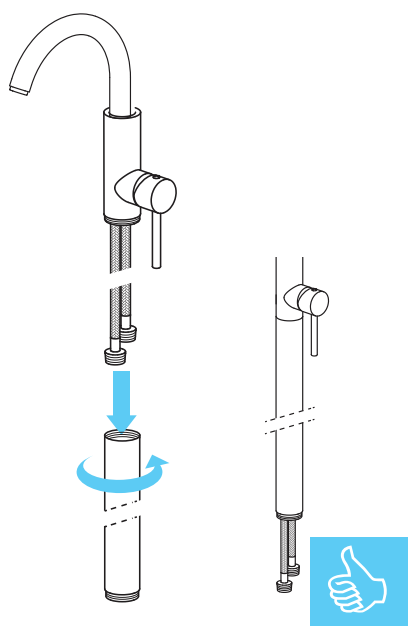
\*not included

## Freestanding faucet Installation

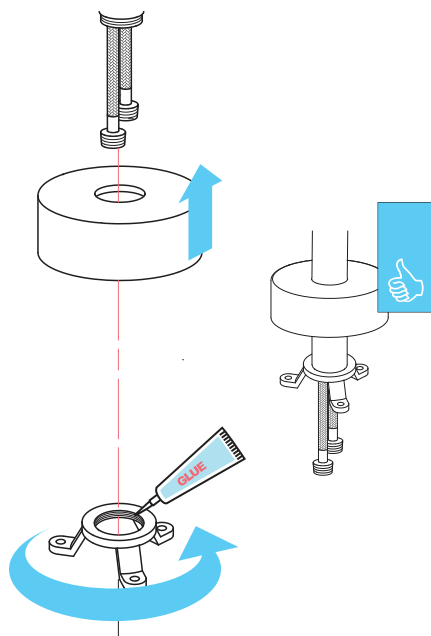
Step 1.



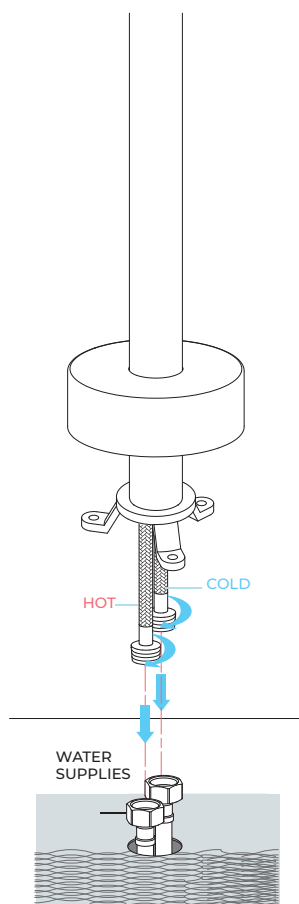
Step 2.



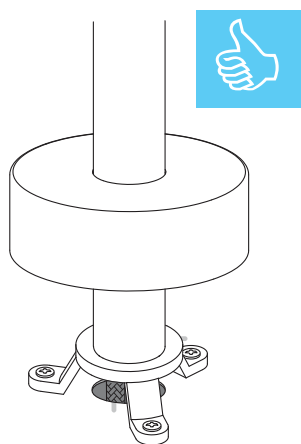
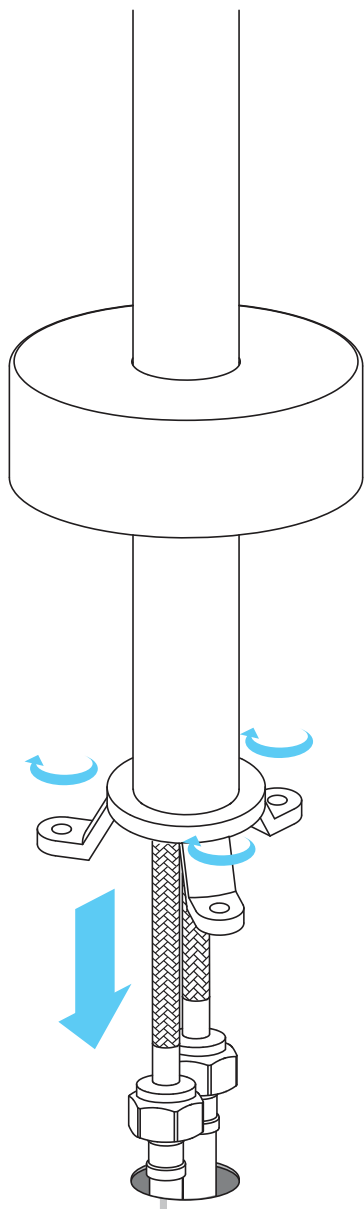
Step 3.



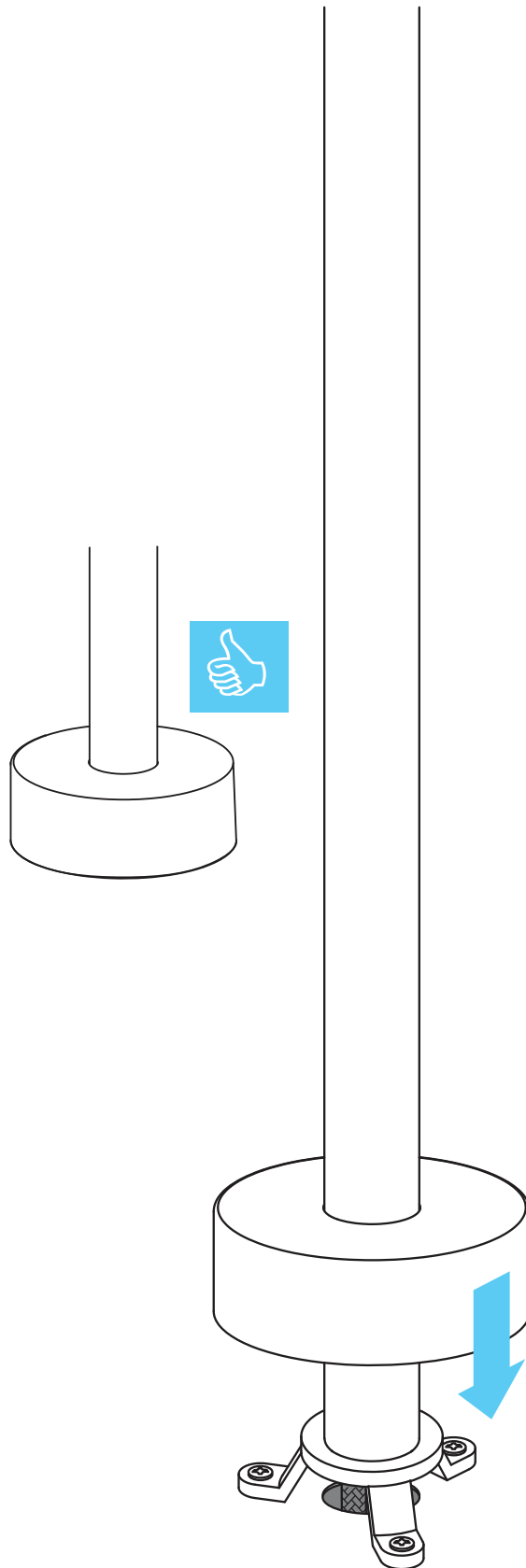
Step 4.



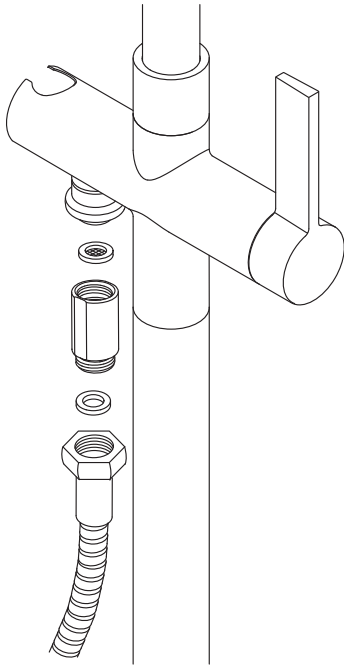
## Step 5.



## Step 6.

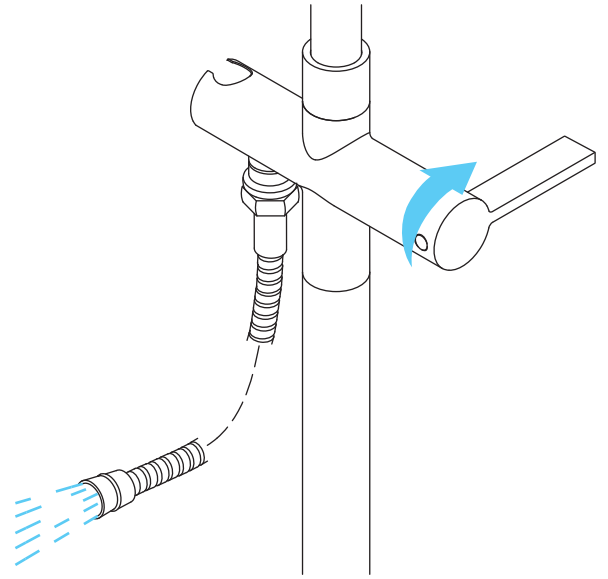


## Step 7.



Install the check valve and handshower hose to the diverter.

## Step 8.



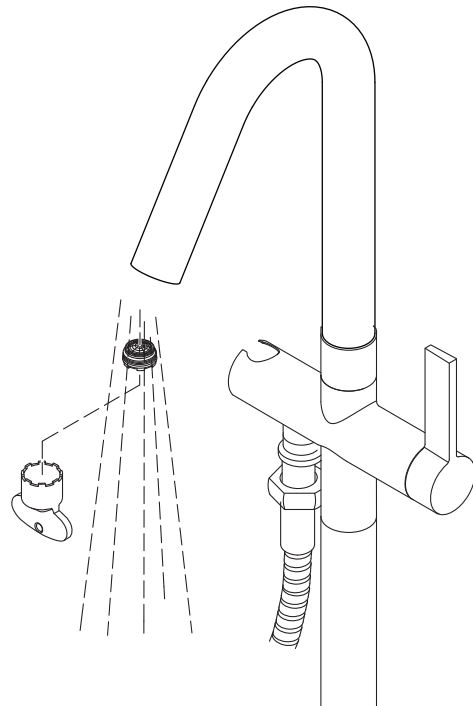
Turn on the water to flush debris from the hose.

## Step 9.



Install the handshower to the hose.

## Step 10.



Remove the aerator. Run water to remove debris.