

FONTANA CHATOU GOLD FINISH WITH TOUCH SENSOR PULL DOWN KITCHEN FAUCET INSTALLATION INSTRUCTIONS



PRIOR TO INSTALLATION

Please read installation instructions below. All plumbing should be installed in accordance with applicable building codes and regulations.

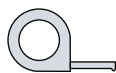
Unpack and inspect the items for any shipping damages. If you find damages, do not install.

All products must be installed by a professional and certified plumber otherwise warranty may be voided.

POSSIBLE TOOLS REQUIRED*



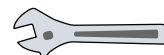
Plumbers Tape



Tape Measure



Level



Adjustable Wrench



Hex Wrench



Thread Sealant



Drill



Pencil or Marker



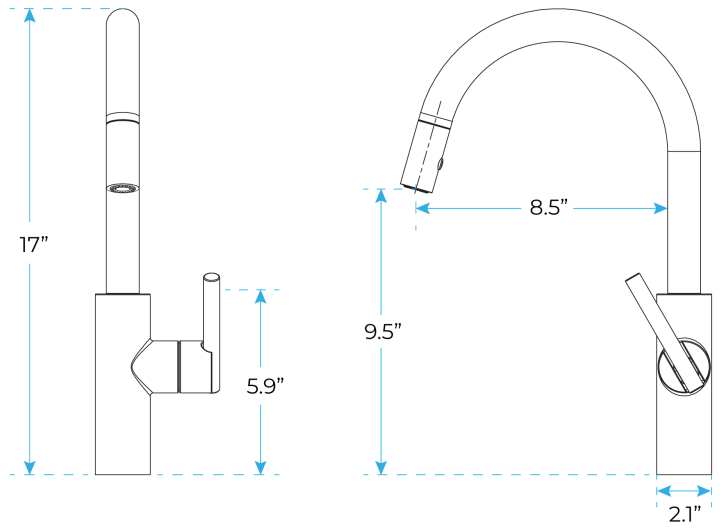
Screwdriver

*not included

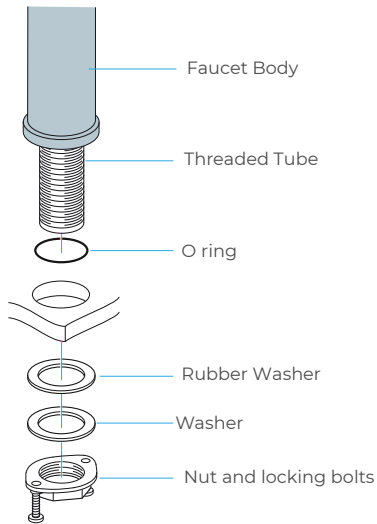
Technical Information

Surface Finishing: Polished
 Surface Treatment: Brushed
 Faucet Type: Kitchen Sink Mixer
 Number of Handles: Single Handle
 Style: Modern
 Valve Core Material: Ceramic
 Feature: 304 stainless steel, High Quality
 Material: 304 stainless steel
 Function: Hot Cold Water
 Usage: Kitchen Sink
 Application: Kitchen
 Water Flow: 1.8 Gallon/Min

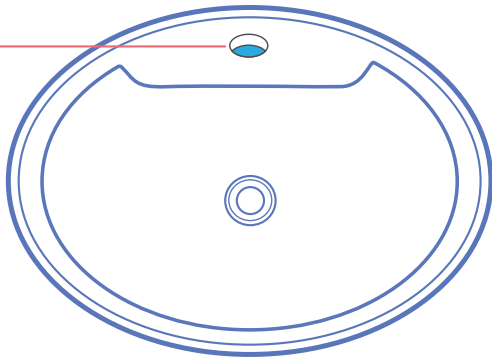
Faucet Size (In inches)



Faucet Deck Mount Installation



Hole Size Chart

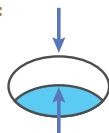


Pre-drilled hole size requirements:

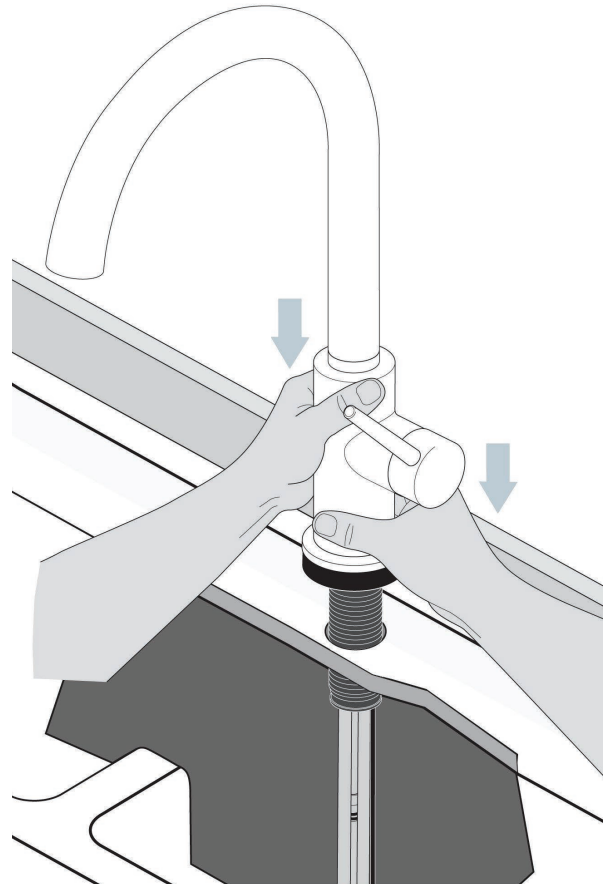


Min: 1.26"/32mm - Max: 1.38"/35mm

Max counter top thickness without deck plate:

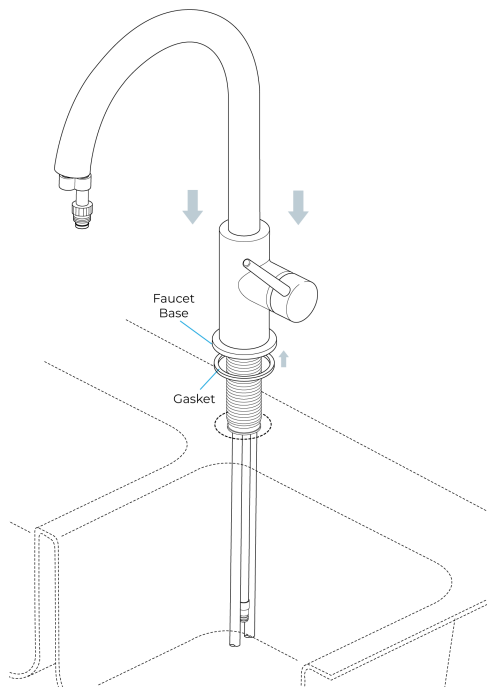


1.38"/35mm

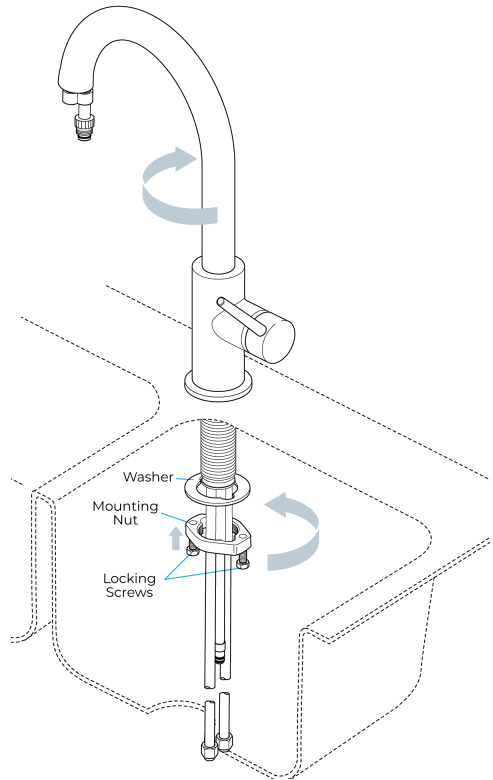


Installation Instructions

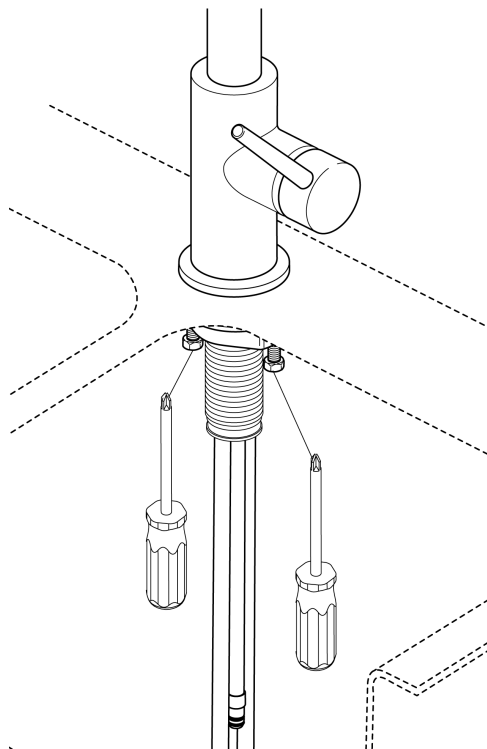
Step 1:



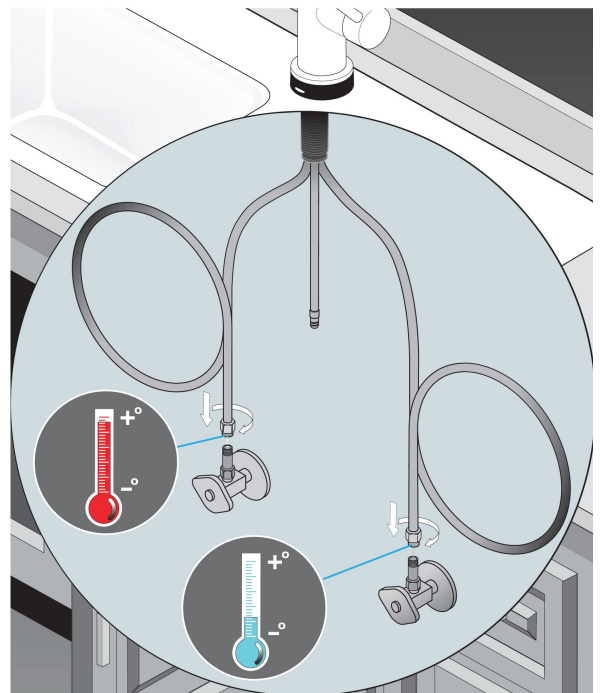
Step 2:



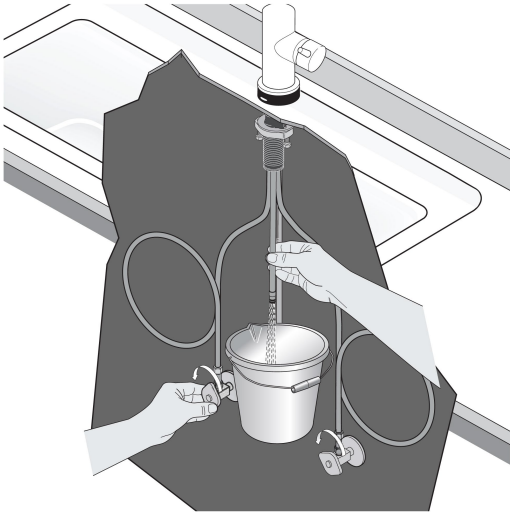
Step 3:



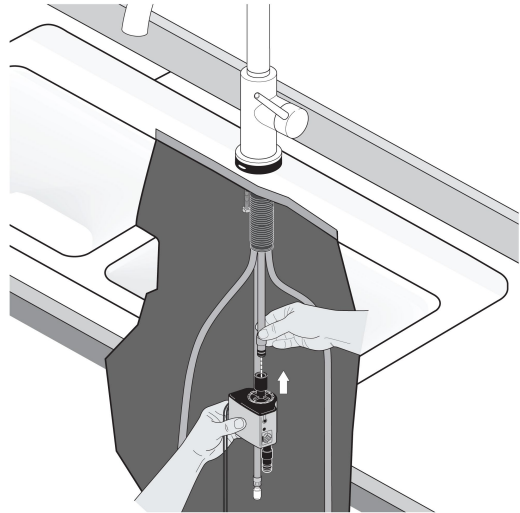
Step 4:



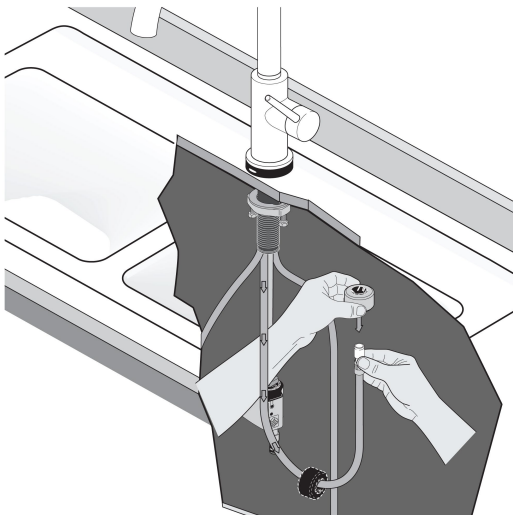
Step 5:



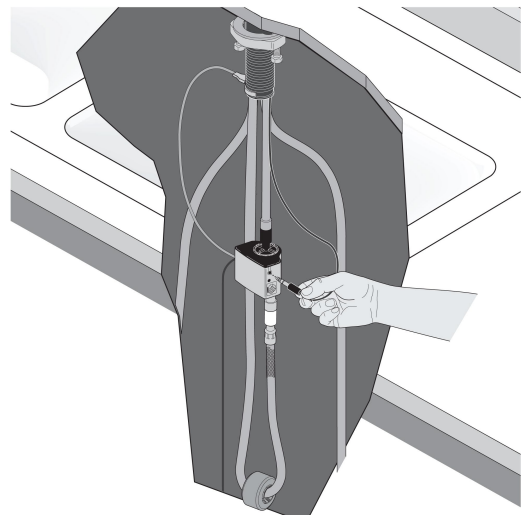
Step 6:



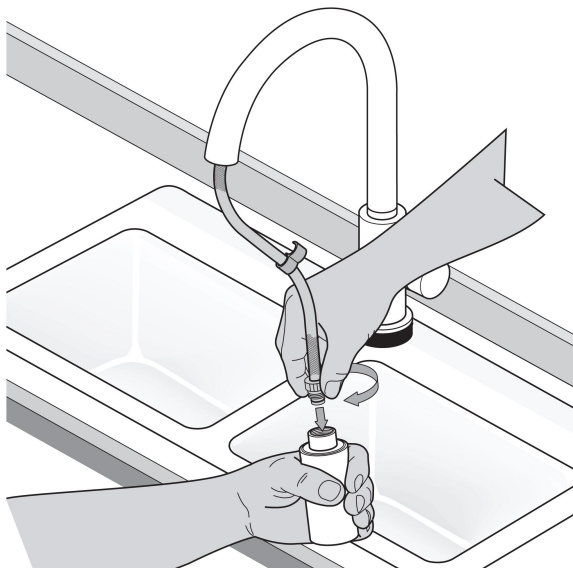
Step 7:



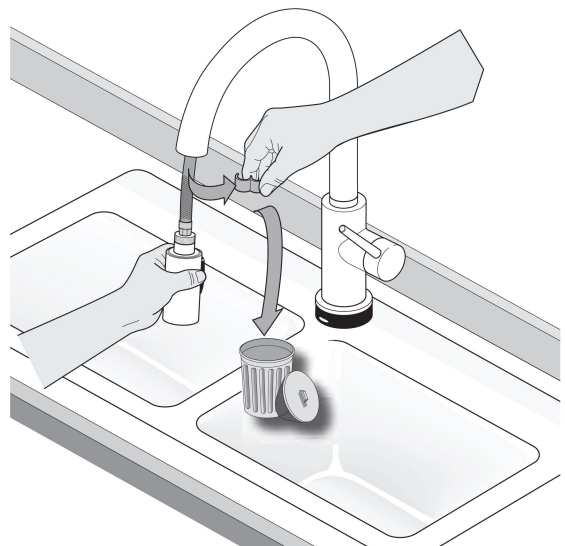
Step 8:



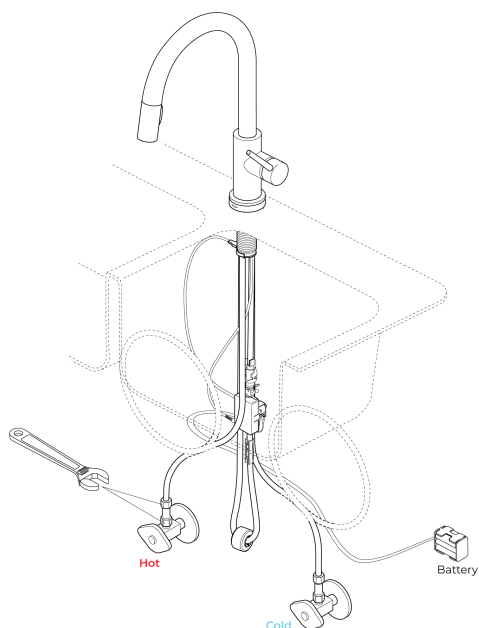
Step 9:



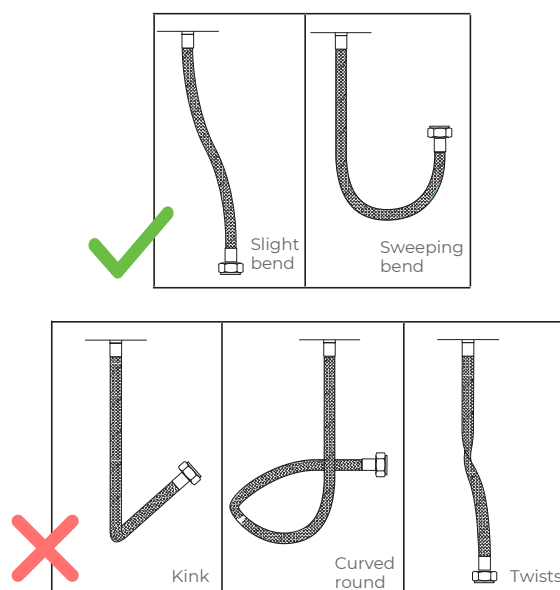
Step 10:



Step 11:



Step 12:



Mount Faucet to Deck

Install gasket into the groove under the faucet base. Insert faucet tubes and shank through the mounting hole in the sink; and, place faucet over the mounting hole.

Secure faucet to sink with washer and mounting nut. Tighten securely by hand. Using a screwdriver, tighten locking screws.

Loop the supply lines, if possible, to avoid having to cut them. Finger tighten both hot & cold sides. Tighten one additional turn with a wrench. Use a second wrench to ensure you do not over tighten the check valves. Repeat for the other side.

Make sure water supplies are closed. Move handle to the full mix position. Place bucket under the faucet outlet tube.

Slowly open both water supply stops to flush lines. This will prevent debris from being lodged in the hose and sprayer.

Close water supplies and faucet valves.

Remove the bucket and dry tube with a soft cloth.

Connect the battery cable to the battery box. Install 4 "AA" batteries into the battery box.

Important: DO NOT install batteries before making all electrical connections.

Note: It is critical for the batteries to be installed in the correct direction in the battery box.

Place the battery pack in a convenient location close to the floor.

Place flat on the floor for best performance and at least 2" from cabinet walls and other objects.

Note: If the battery pack does not reach the floor, place on a non-metallic object at least 2" from cabinet walls.

Turn on water supplies. Turn faucet valve on full and check connections are properly made.

Flexible Connecting Hose

Care must be taken when connecting the flexible connection hose from the power supply box to the spout to ensure it does not bend sharply and kink or twist.

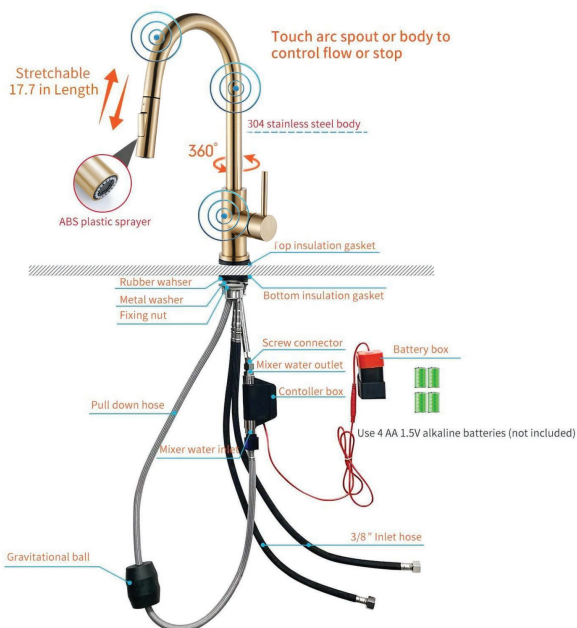
See above for recommended ways to fit the flexible connecting hose.

Fontana Showers®

Important: Failure to follow these guidelines may result in poor performance and damage to the flexible connection hose.

Operations

1. The operation is simple! With the handle in the “on” position tap anywhere on the spout, base, or handle.
2. The faucet is able to tell the difference between a touch and a grab. So it won't turn on and off when you don't want it to.
3. Use the handle to control temperature and volume for both manual and electronic operations.
4. Whether you grab the handle or taps it, water will flow. Once water is flowing, a tap will turn it off.
5. Auto Shut-off, the faucet will automatically shut off after running for 4 minutes.
6. Your new faucet will run for up to 2 years on 4 AA batteries.



Product Details Display



(Images are for display purpose only and may vary from actual product)