

LIGURIA DUAL HANDLE KITCHEN SINK FAUCET WITH SPRAY INSTALLATION INSTRUCTIONS



PRIOR TO INSTALLATION

Please read installation instructions below. All plumbing should be installed in accordance with applicable building codes and regulations.

Unpack and inspect the items for any shipping damages. If you find damages, do not install.

All products must be installed by a professional and certified plumber otherwise warranty may be voided.

POSSIBLE TOOLS REQUIRED*



Plumbers Tape



Tape Measure



Level



Adjustable Wrench



Hex Wrench



Thread Sealant



Drill



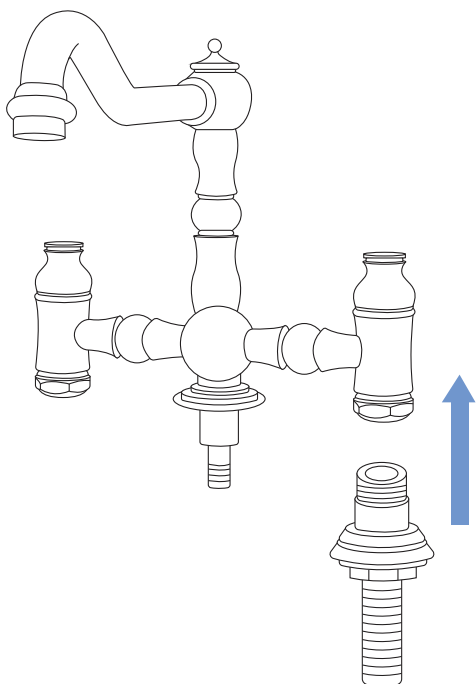
Pencil or Marker



Screwdriver

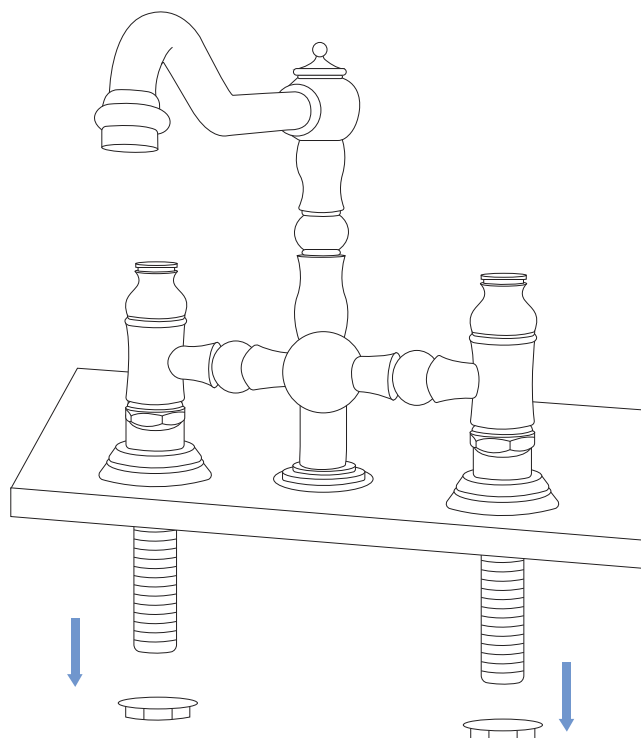
*not included

Installation Instructions

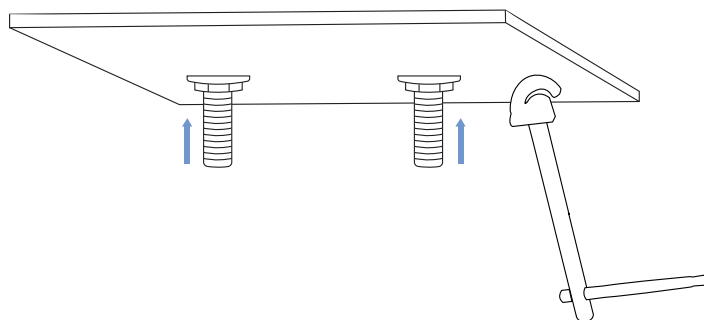


1. Attach the provided threaded shanks into each handle base. Apply thread sealant or plumber's tape to the threads before attaching. Tighten firmly using an adjustable wrench.

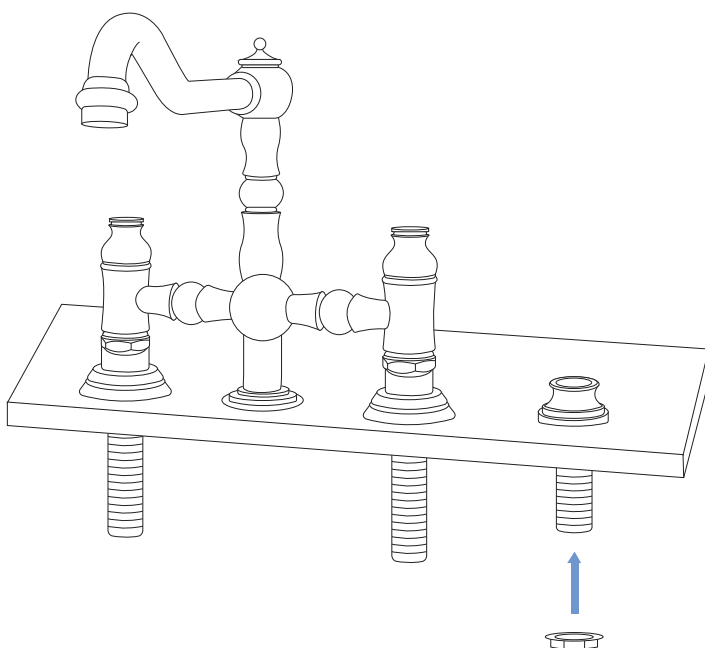
Note: Wrap the nuts with a soft cloth before tightening to prevent the adjustable wrench from scratching the plated finish.



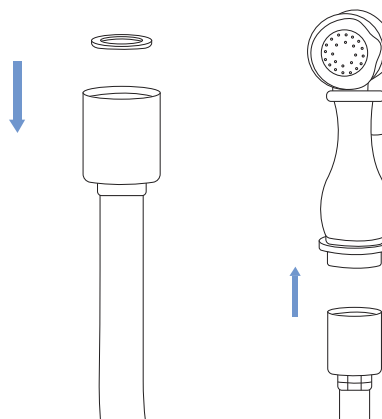
2. Remove the brass lock nuts from the threaded shanks and insert the faucet into its designated mounting holes on the mounting surface.



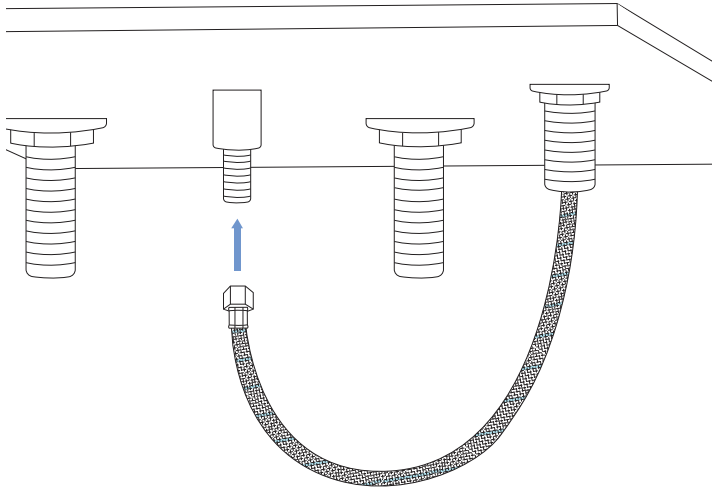
3. From below, secure the faucet to the counter by threading the provided lock nuts onto each threaded shank. Hand tighten, then finish tightening using a basin wrench.



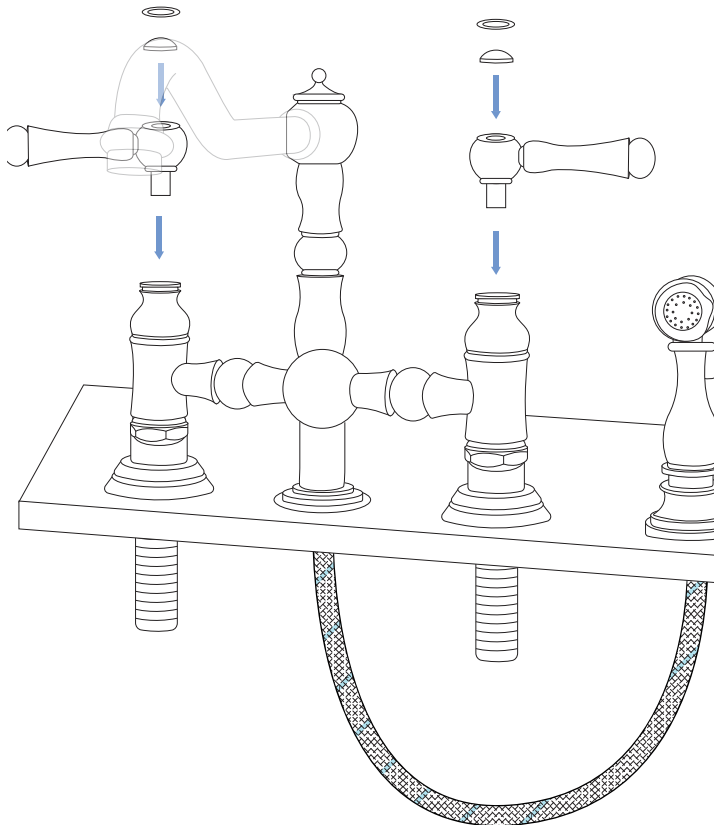
4. Remove the brass lock nut from the hand sprayer cradle. Insert the cradle into its designating mounting hole, and tighten the lock nut from underneath to secure.



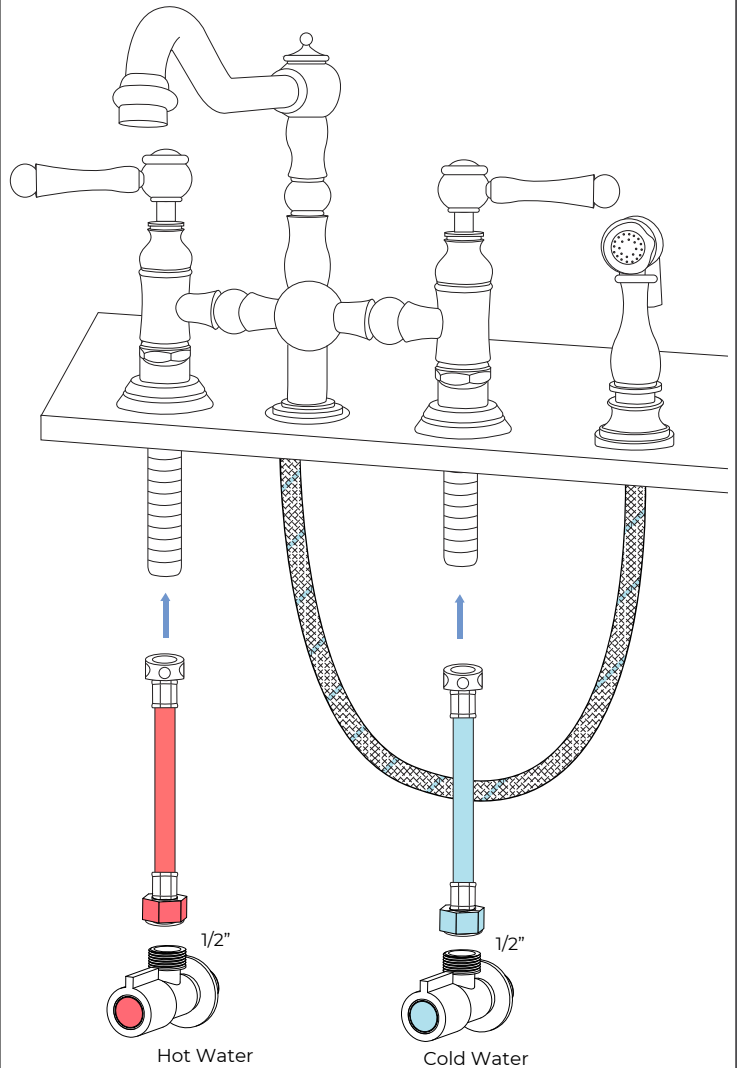
5. Insert the provided rubber O-ring into the end of the hand sprayer hose, and attach it to the hand sprayer assembly. Hand tighten firmly. Insert the hose and hand sprayer into its cradle from above the counter.



6. From beneath the counter, attach the hand sprayer hose by threading it onto the center post. Apply a bit of thread sealant or plumber's tape to the threads before tightening. Use an adjustable wrench to tighten firmly.



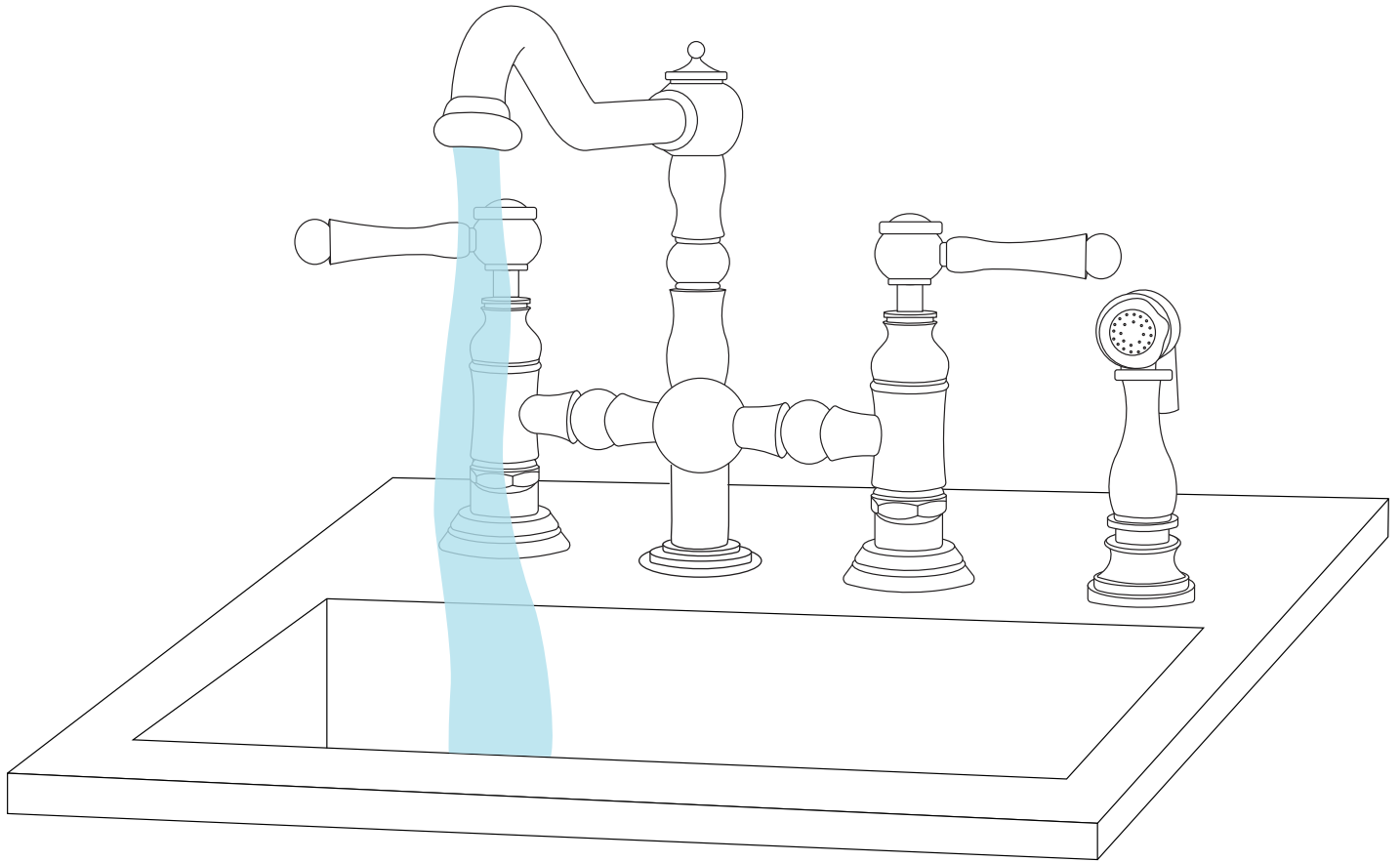
7. To attach the handles to the faucet, remove the decorative hot and cold indicators from each handle. Slide the handles onto each stem and tighten the screws to secure using a Phillip's screwdriver. Once secure, reinsert the hot and cold indicators.



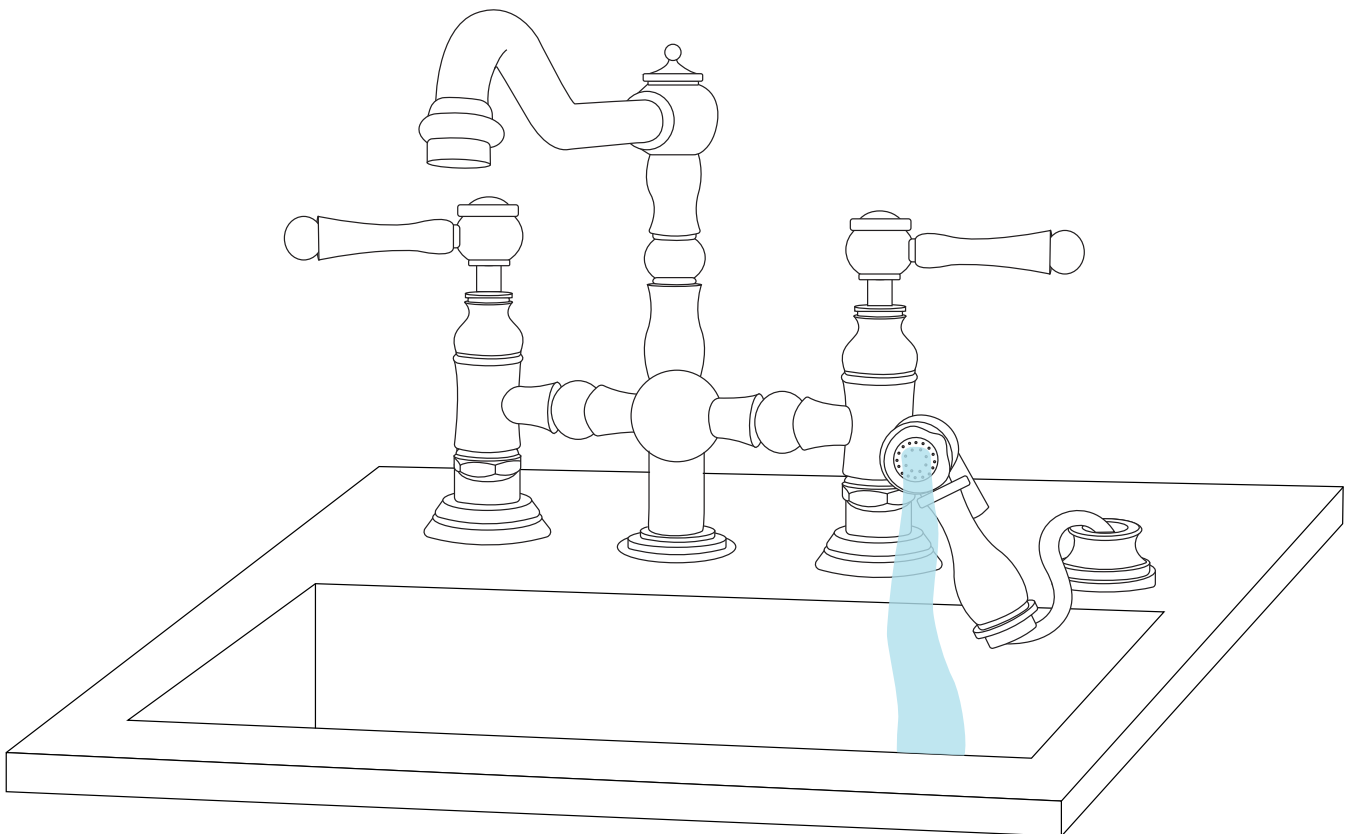
8. Attach the main water lines to the threaded shanks on the faucet. Use the provided braided water lines if desired. Ensure that the hot and cold lines are being connected appropriately. Apply plumber's tape or thread sealant to the threads before tightening. Hand tighten the connections, then finish tightening with a ¼ turn using an adjustable wrench.

Tip: If needed, use the provided lock nuts and rubber cone washers to make the connections.

Once installation is complete, turn the main water supply back on from underneath your sink. Check for any leaks underneath.



9. Remove the aerator from the spout and turn the faucet on. Ensure that both hot and cold water are running properly, and check for any leaks. Allow the water to flow for approximately 60 seconds to remove any dust or sediment within the water lines. Reattach the aerator and turn on the sprayer. Allow the sprayer to run for another 60 seconds, and check for any leaks.

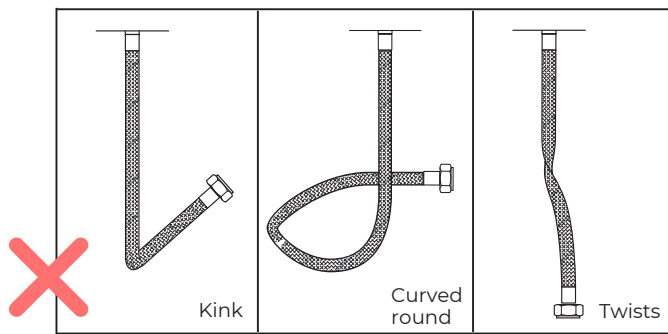
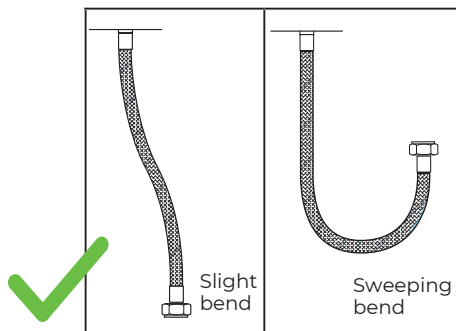


Flexible Connecting Hose

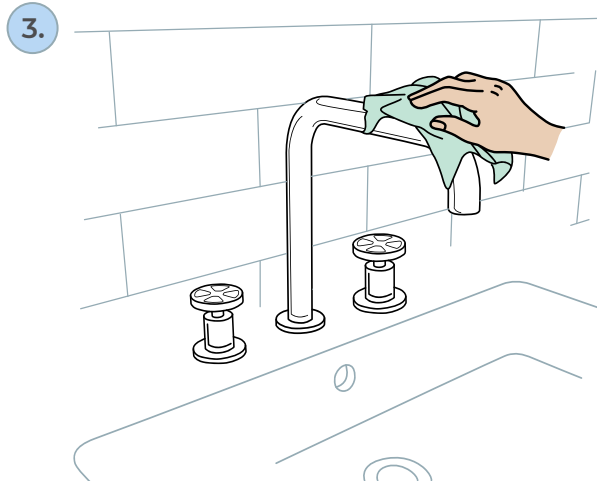
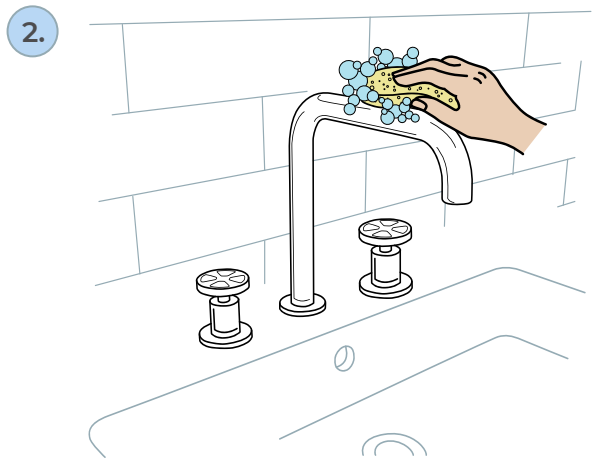
Care must be taken when connecting the flexible connection hose from the power supply box to the spout to ensure it does not bend sharply and kink or twist.

See above for recommended ways to fit the flexible connecting hose.

Important: Failure to follow these guidelines may result in poor performance and damage to the flexible connection hose.



6. If using a spray cleaner, apply the cleaning agent onto a soft cloth, never directly spray onto the product as the cleaner may enter gaps and openings and cause damage. Do not allow the cleaner to remain on the product for a period of time. After cleaning, rinse thoroughly with clean water.



Care & Cleaning

1. The product can be cleaned with warm water, a mild soap and a clean soft cloth.

2. Clean progressively and gently.

3. It is not required to use any abrasive cleaning pads, wire wool or micro-fiber cloths to clean the product.

4. Avoid a vigorous cleaning action, as this could contribute to denaturing and dulling the finish.

5. Abrasive or strong cleaning products containing ammonia, bleaches, alcohol, dyes, acids (hydrochloric, formic, phosphorus, chlorine or acetic) will be detrimental to the product finish.