

FONTANA NAPOLI LUXURY WALL MOUNT BRUSHED GOLD WATERFALL SINK FAUCET INSTALLATION INSTRUCTIONS



Brushed Gold Faucet

PRIOR TO INSTALLATION

Please read installation instructions below. All plumbing should be installed in accordance with applicable building codes and regulations.

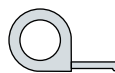
Unpack and inspect the items for any shipping damages. If you find damages, do not install.

All products must be installed by a professional and certified plumber otherwise warranty may be voided.

POSSIBLE TOOLS REQUIRED*



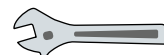
Plumbers Tape



Tape Measure



Level



Adjustable Wrench



Hex Wrench



Thread Sealant



Drill



Pencil or Marker



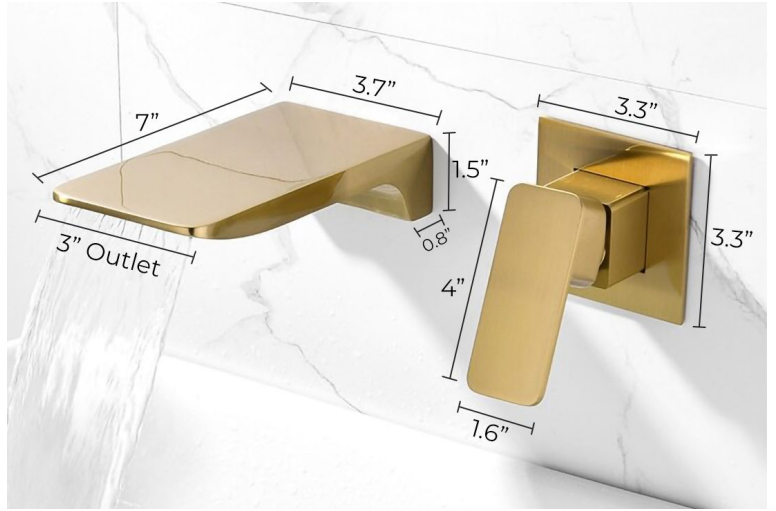
Screwdriver

*not included

Technical Information

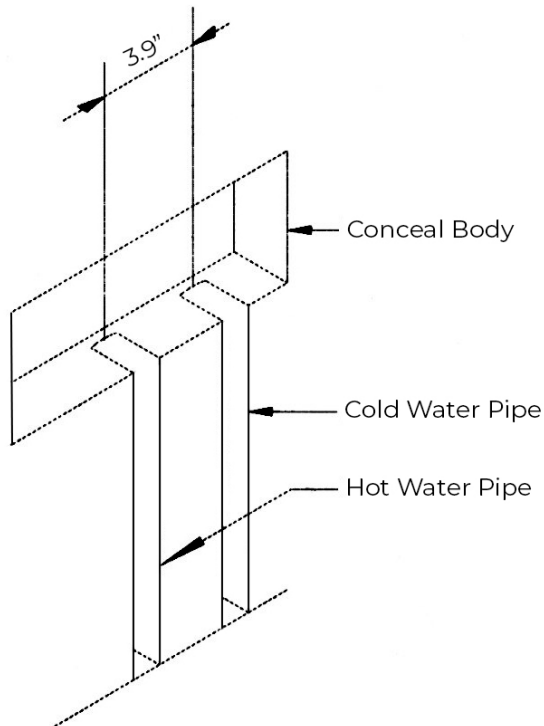
Style: Modern
 Spout Type: Fixed
 Handle Type: Lever
 Body Material: Brass
 Spout Material: Brass
 Handle Material: Zinc Alloy
 Number Of Holes: 2
 Number Of Handles: 1
 Valve Included: Yes
 Valve Type: Ceramic Valve
 Flow Rate: 1.2 GPM / 4.5 LPM

Faucet Size

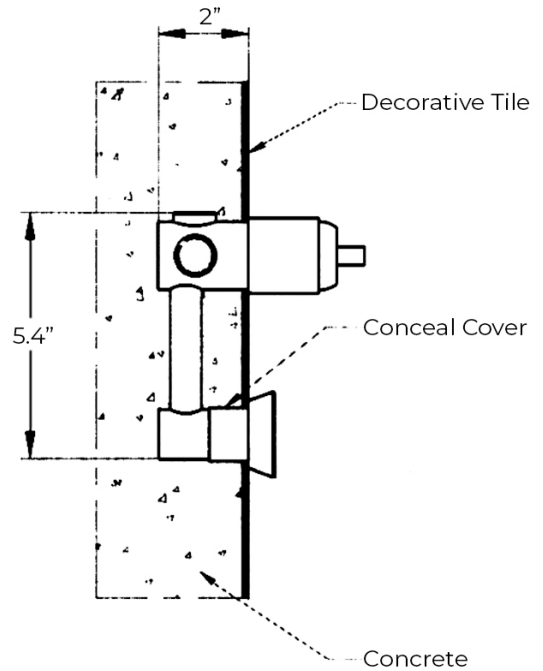


Wall Mount Installation

Step 1:



Step 2:

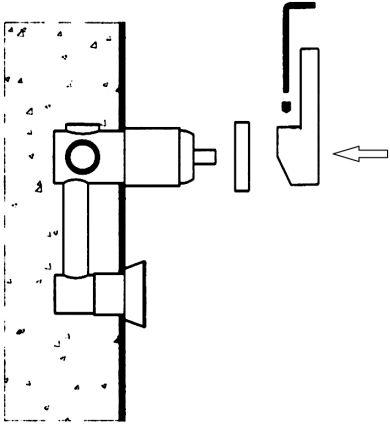


Drill the wall as the above drawing according to the dimensions of the faucet. They include the main body conceal the hole. Coldwater pipe, hot water pipe hole.

Fix the faucet body in the inner wall. Connect it with cold water and hot water pipe, and turn on the water supply to confirm it's no leakage. After adjusting use azimuth, use the concrete close cover the pipeline.

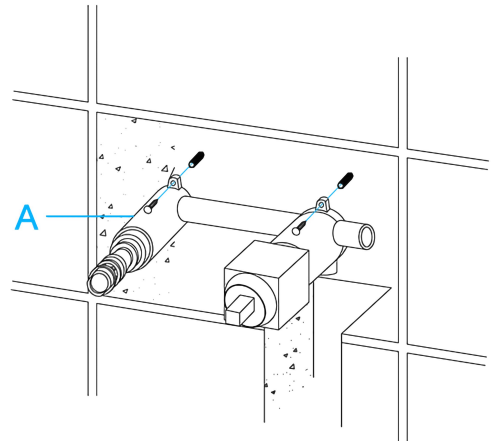
All dimensions and specifications are nominal and may vary. Use actual products for accuracy in critical situations.

Step 3:



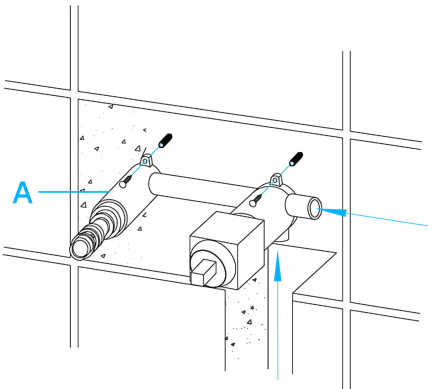
Install the cover, and then install the handle to the faucet body.

Step 4:



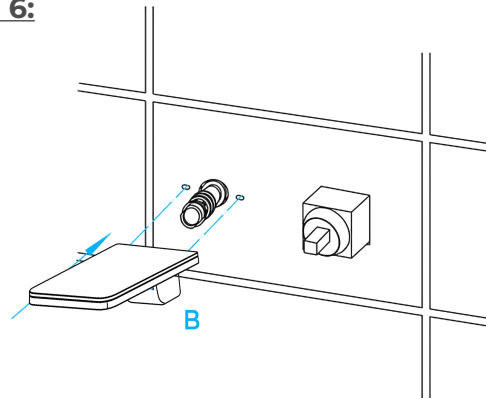
Position and fix the valve body (A) into the wall with screws. Make sure the valve body (A) is completely level.

Step 5:



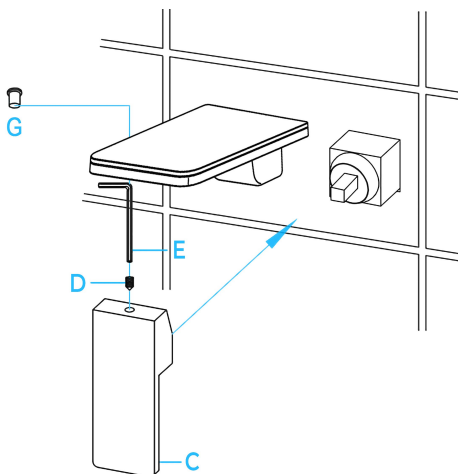
Connect hot and cold water inlets of the valve body (A) to the main water supply. Turn on the water supply and open the cartridge to check for leaks. (Solid copper pipes are recommended for the connection.)

Step 6:



Attach the spout (B) to the valve.

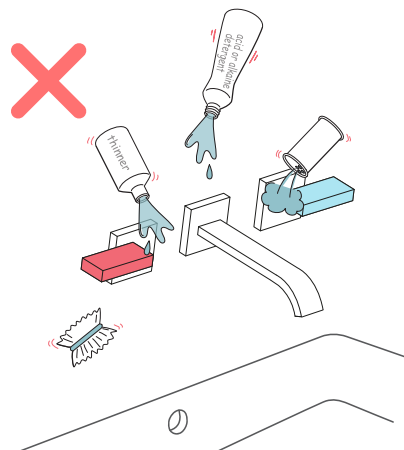
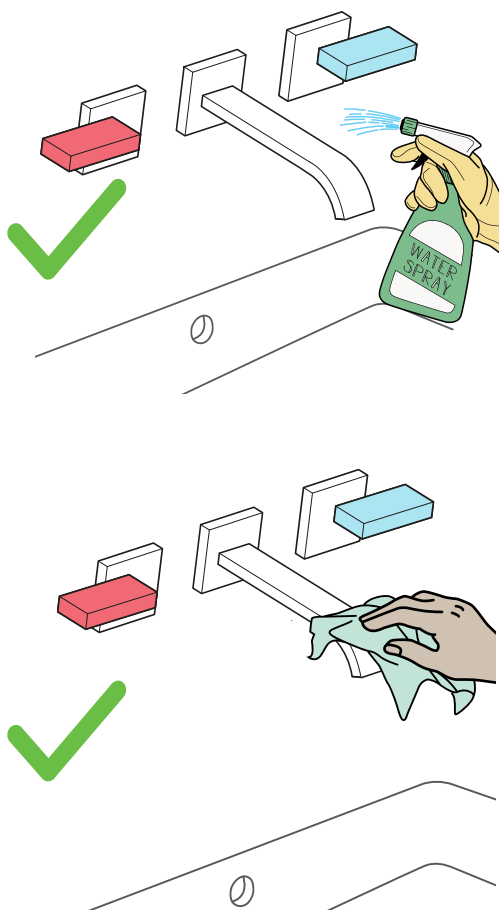
Step 7:



Place the handle (C) onto the valve and fix the set screw (D) with Allen key (E), then put on the indication button (G).

Care & Cleaning

1. The product can be cleaned with warm water, a mild soap and a clean soft cloth.
2. Clean progressively and gently.
3. It is not required to use any abrasive cleaning pads, wire wool or micro-fibre cloths to clean the product.
4. Avoid a vigorous cleaning action, as this could contribute to denaturing and dulling the finish.
5. Abrasive or strong cleaning products containing ammonia, bleaches, alcohol, dyes, acids (hydrochloric, formic, phosphorus, chlorine or acetic) will be detrimental to the product finish.
6. If using a spray cleaner, apply the cleaning agent onto a soft cloth, never directly spray onto the product as the cleaner may enter gaps and openings and cause damage. Do not allow the cleaner to remain on the product for a period of time. After cleaning, rinse thoroughly with clean water.



Flexible Connecting Hose

Care must be taken when connecting the flexible connection hose from the power supply box to the spout to ensure it does not bend sharply and kink or twist. See above for recommended ways to fit the flexible connecting hose.

Important: Failure to follow these guidelines may result in poor performance and damage to the flexible connection hose.

