

FONTANA NAPOLI LUXURY WALL MOUNT DARK OIL RUBBED BRONZE WATERFALL SINK FAUCET INSTALLATION INSTRUCTIONS



PRIOR TO INSTALLATION

Please read installation instructions below. All plumbing should be installed in accordance with applicable building codes and regulations.

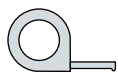
Unpack and inspect the items for any shipping damages. If you find damages, do not install.

All products must be installed by a professional and certified plumber otherwise warranty may be voided.

POSSIBLE TOOLS REQUIRED*



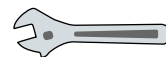
Plumbers Tape



Tape Measure



Level



Adjustable Wrench



Hex Wrench



Thread Sealant



Drill



Pencil or Marker



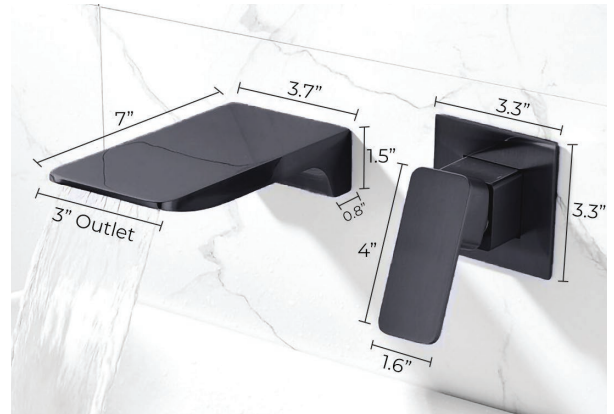
Screwdriver

*not included

Technical Information

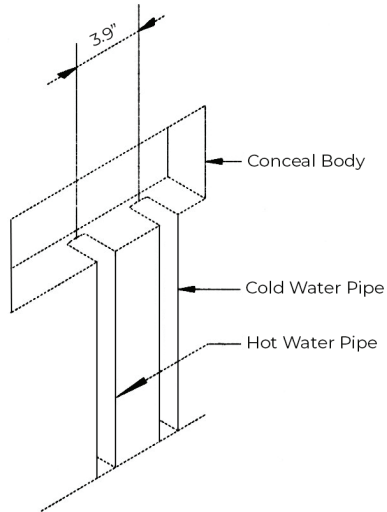
Installation Hole Distance: 2 holes
 Spout Height: 2 holes
 Faucet Mount: 2 holes
 Install Style: Single Holder Dual Hole
 Hot & Cold Water: Yes
 Accessory Type: Ceramic Plate Spool
 Connector: G 1/2" "
 Flow Rate: 1.2 GPM / 4.5 LPM

Size



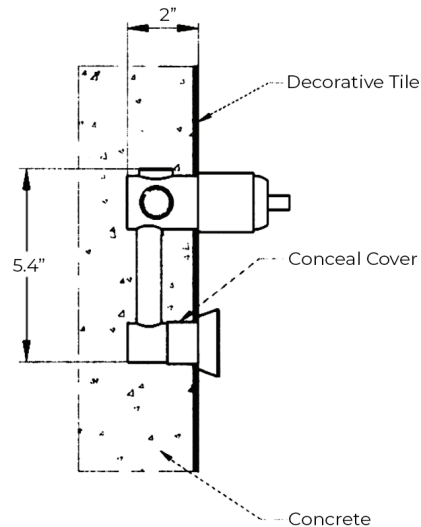
Installation Instructions

Step 1:



Drill the wall as the above drawing according to the dimensions of the faucet. They include the main body conceal the hole. Coldwater pipe, hot water pipe hole.

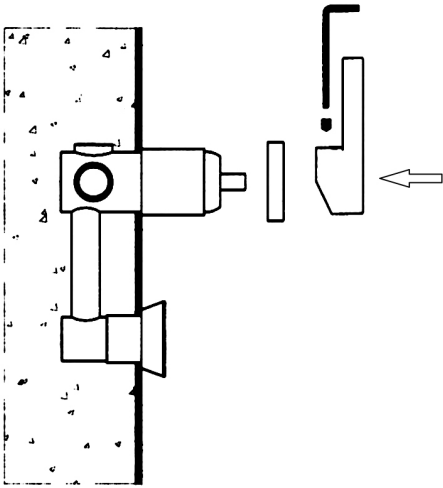
Step 2:



Fix the faucet body in the inner wall. Connect it with cold water and hot water pipe, and turn on the water supply to confirm it's no leakage. After adjusting use azimuth, use the concrete close cover the pipeline.

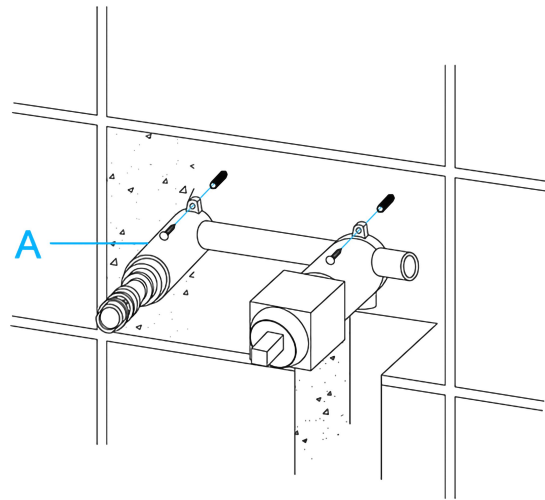
All dimensions and specifications are nominal and may vary. Use actual products for accuracy in critical situations.

Step 3:



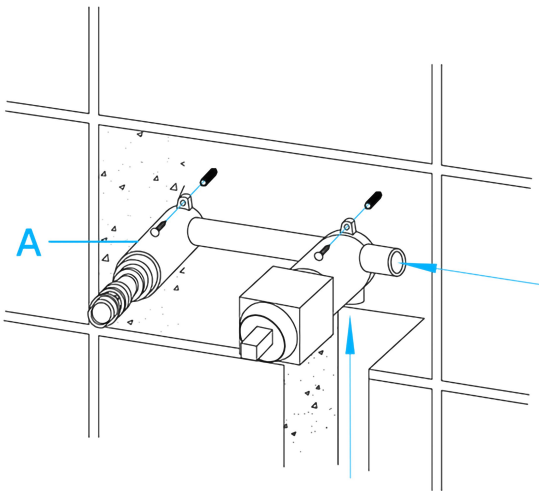
Install the cover, and then install the handle to the faucet body.

Step 4:



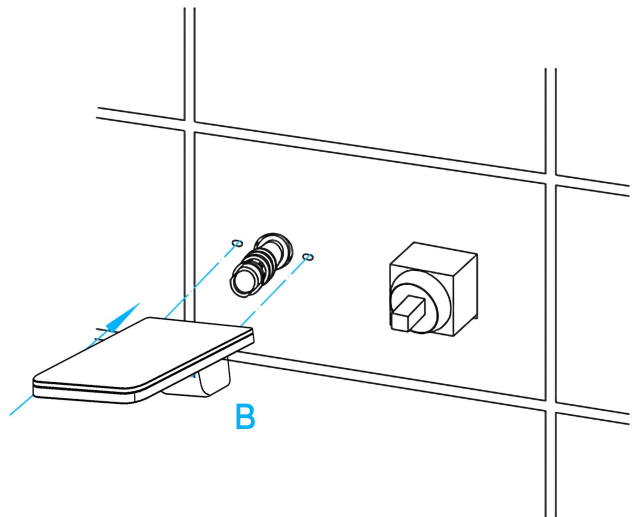
Position and fix the valve body (A) into the wall with screws. Make sure the valve body (A) is completely level.

Step 5:



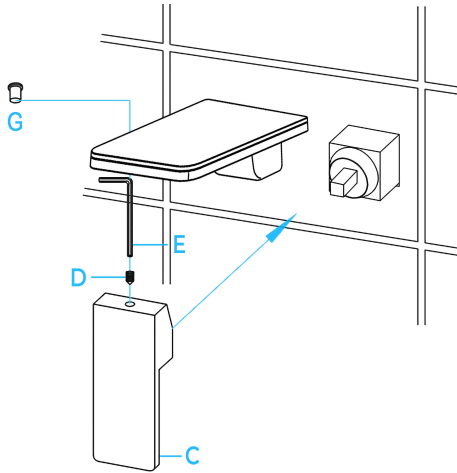
Connect hot and cold water inlets of the valve body (A) to the main water supply. Turn on the water supply and open the cartridge to check for leaks. (Solid copper pipes are recommended for the connection.)

Step 6:

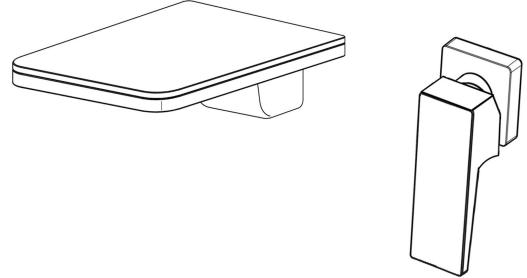


Attach the spout (B) to the valve.

Step 7:



Step 8: (Installation Complete)



Place the handle (C) onto the valve and fix the set screw (D) with Allen key (E), then put on the indication button (G).