

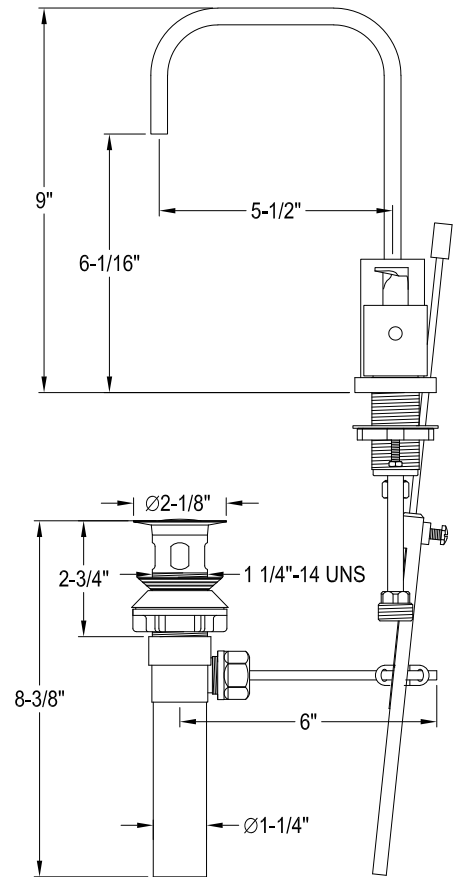
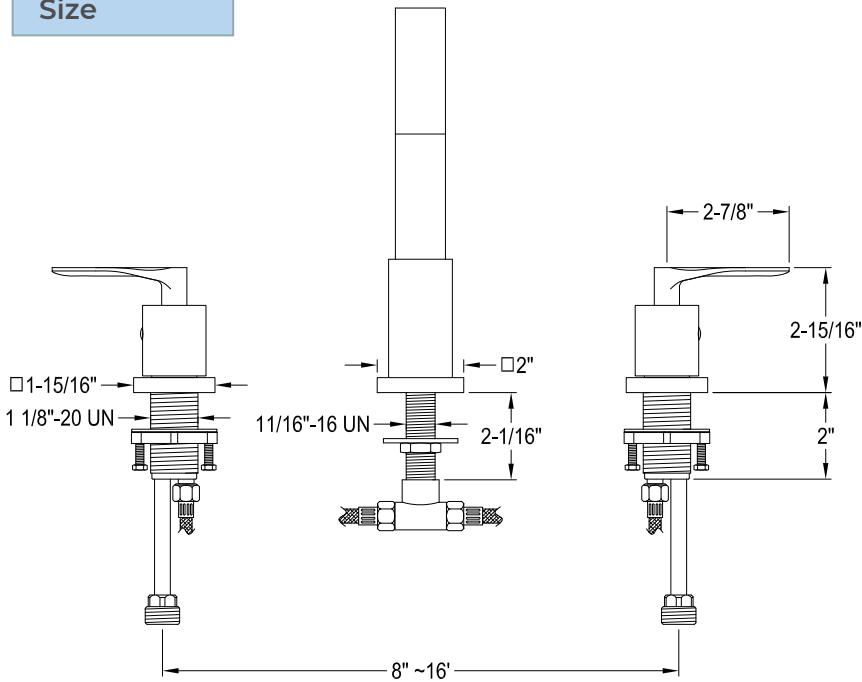
# DUAL HANDLE STAINLESS STEEL BATHROOM AND KITCHEN SINK FAUCET SPECIFICATIONS



## Technical Information

Installation Type: Widespread  
 Number Of Handles: Two Handles  
 Flow Rate (L/min): 1.5 GPM 60 PSI  
 Cold and Hot Switch: Yes  
 Valve Type: Ceramic Valve

## Size



unit: inch

### will the faucet fit my sink?

**Recommend width: 6"-12" (152mm-305mm)**  
 the width is the distance between center point of two side holes.

**Pre-drilled hole size requirement:**  
 1.26" (32mm) Min - 1.5" (38mm) Max

**Max countertop thickness without deck plate:**  
 1.375" (35mm)

**3 Holes 6"-16" Widespread** (indicated with a green checkmark)

**3 Holes 4" Centerset** (indicated with a red X)

All dimensions and specifications are nominal and may vary. Use actual products for accuracy in critical situations.