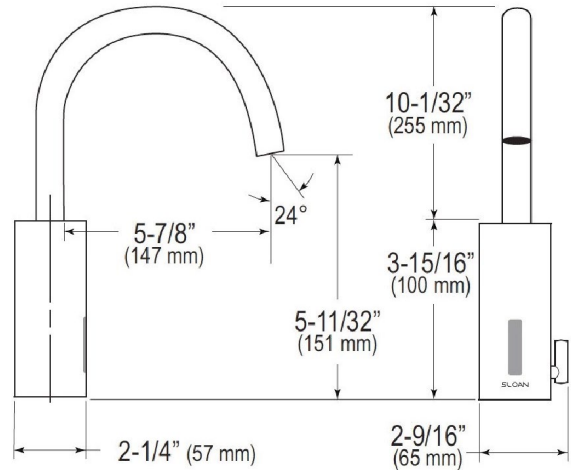


## FONTANA CHATOU ROSE GOLD FINISH COMMERCIAL AUTOMATIC MOTION SENSOR FAUCET SPECS



### SPECS:

- Flow Rate: 0.35 gpm (1 Lpm) (0.35GPM)
- Spray Type: Multi-Laminar (MLM)
- Sensor Type: Infrared (IR)
- Mounting Type: Single Hole ( )
- Power Supply: Battery (BAT)
- Temperature Mixer: Integrated Side Mixer (ISM)
- Finish: Polished Chrome (CP)
- Factory Default Timeout: 30s
- Factory Default GPC: 0.175
- Double Infrared Sensors with Automatic Setting Feature and Microprocessor
- Low Battery Indicator

