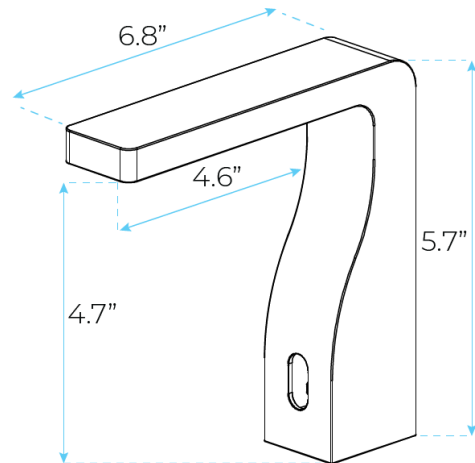


BRAVAT TRIO COMMERCIAL AUTOMATIC MOTION SENSOR FAUCET LIGHT OIL RUBBED BRONZE FINISH SPECS



SPECS:

Power: DC:6V(4AA alkaline battery)

AC:220V-240V; 50/60HZ

Detection Zone: 16-32 cm or adjustable

Motor valve lifespan: up to 500000 Flushes

Battery lifespan: 100000 cycles

Static Power Consumption: 0.36mw

Working Power consumption: 0.5mw

Inductive Opening Time: < 1 second

Inductive Closing Time: < 2 second

Flow rate at 3 bar low pressure for basin:

12L/min

Flow pressure: min. 0.5 bar recommended

1 – 5 bar

Operating pressure: max. 10 bar

Test pressure: 16 bar

