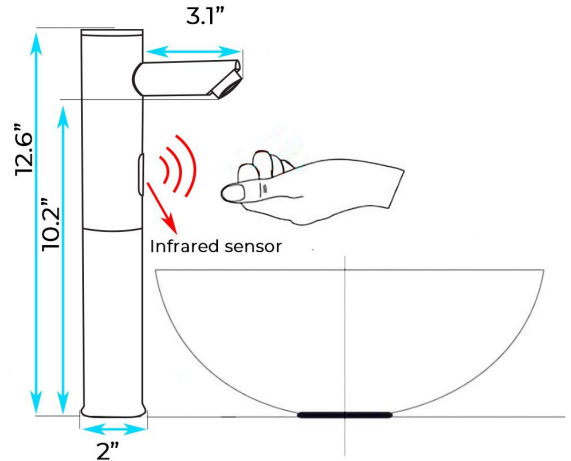


**FONTANA TALL COMMERCIAL AUTOMATIC TOUCH-FREE LAVATORY BATHROOM SINK SENSOR FAUCET BRUSHED NICKEL FINISH SPECS**



**SPECS:**

Power: DC:6V(4AA alkaline battery)

AC:220V-240V; 50/60HZ

Water Consumption: 0.05Mpa-0.6Mpa

Detection Zone: 17-30 cm or adjustable

Motor valve lifespan: up to 500000 flushes

Battery lifespan: 100000 cycles

Static Power Consumption: 0.36mw

Working Power consumption: 0.5mw

Inductive Opening Time: < 0.5 second

Inductive Closing Time: < 1 second

Dia.of inlet / outlet pipe: G1/2"

Flux: ≥0.07L/S

Temperature: 0.1-50°C

Dia of installing faucet: 33~35mm

Water flow: 4-6 L/M (0.3 Mpa)

