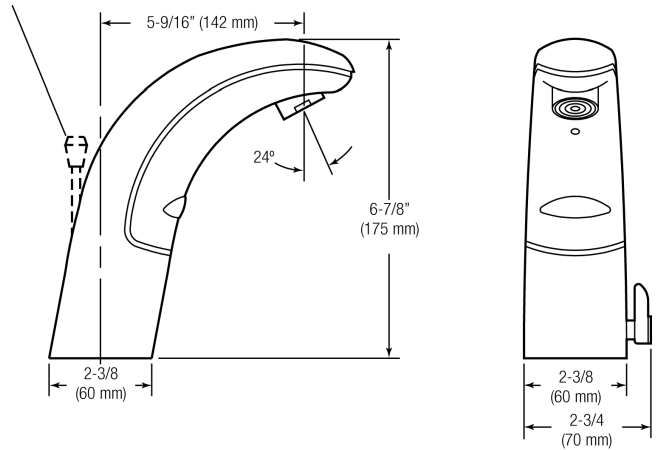


FONTANA LE HAVRE ELECTRONIC ROSE GOLD SENSOR FAUCET SPECS

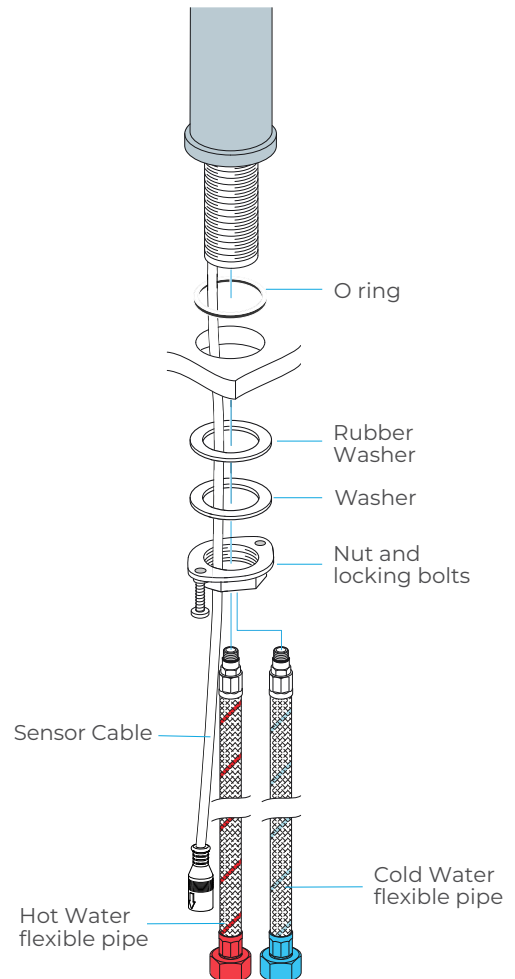


Size:



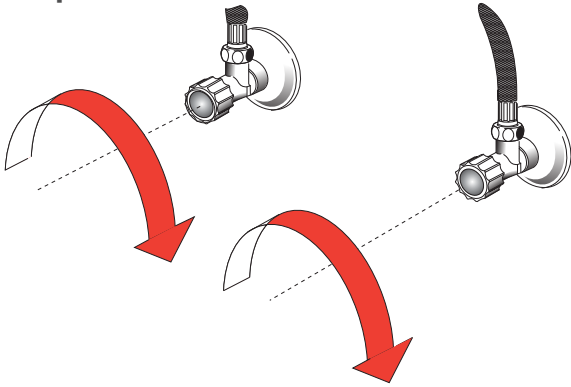
Specifications

- Flow Rate: 0.5 gpm (2 Lpm) (0.5GPM)
- Spray Type: Aerated (AER)
- Sensor Type: Infrared (IR)
- Mounting Type: Single Hole ()
- Power Supply: Battery (BAT)
- Temperature Mixer: Mixer Not Included ()
- Factory Default Timeout: 30s
- Factory Default GPC: 0.25
- Double Infrared Sensors with Automatic Setup and Indicator Light
- Automatic Self-adapting Sensor Technology
- Low Battery Indicator
- Magnetic Solenoid Valve
- Max counter top thickness without deck plate: 1.38"/35mm
- Pre-drilled hole size requirements:
Min: 1.26"/32mm - Max: 1.38"/35mm



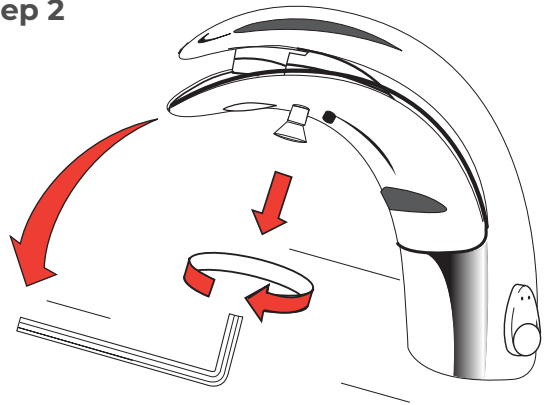
BATTERY REPLACEMENT:

Step 1



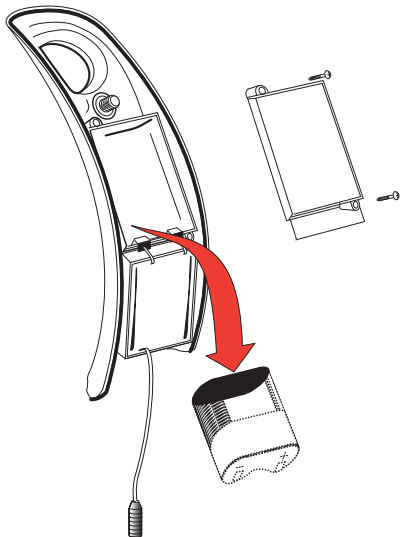
1. Close Supply Stop

Step 2



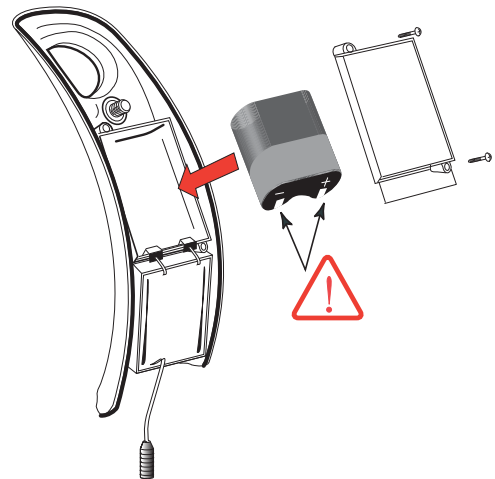
2. Loosen Screw with hex wrench. Remove Throat Plate. Disconnect electrical lead at connector if required.

Step 3



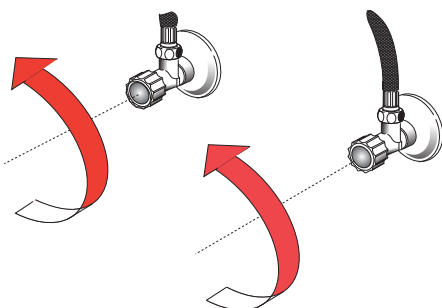
3. Remove Battery Cover using a No. 1 Phillips head screwdriver. Remove old Battery and dispose of properly.

Step 4



4. Insert a new 6 Volt Type 2CR5 Lithium Battery. The red LED will flash for one (1) minute. Reinstall Battery Cover. Reconnect electrical lead at connector if previously disconnected. Reinstall Throat Plate. If LED doesn't flash or if it just lights up, remove and then reinsert the Battery. If water flows continuously after inserting the new Battery and opening the Supply Stops, remove and then reinsert the Battery.

Step 5



5. Open Supply Stop.