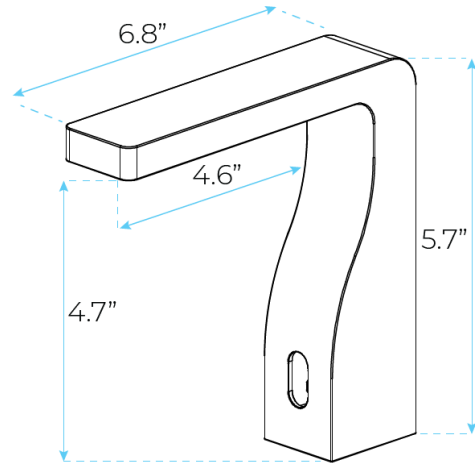


## FONTANA BRUSHED NICKEL CONTEMPORARY COMMERCIAL AUTOMATIC WATERFALL SENSOR FAUCET SPECS



### **SPECS:**

Power: DC:6V(4AA alkaline battery)

AC:220V-240V; 50/60HZ

Water Consumption: 0.05-1.6Mpa

Detection Zone: 16-32 cm or adjustable

Battery lifespan: 100000 cycles

Static Power Consumption: 0.36mw

Working Power consumption: 0.5mw

Inductive Opening Time: < 1 second

Inductive Closing Time: < 2 second

Dia.of inlet / outlet pipe: G1/2"

Temperature: 0.1-50°C

Flow rate (L / Min): 8L / Min

Applicable water pressure(MPa): 0.05-0.8

LED Color: Cold water-Blue light; Warm water-Green light; Hot water-Red light.

