

# BRAVAT COMMERCIAL AUTOMATIC BRUSHED NICKEL HANDS FREE SENSOR FAUCETS INSTALLATION INSTRUCTIONS



## BEFORE YOU BEGIN

Before you begin, please read the installation instructions below. Observe all local building and safety codes.

Unpack and inspect the items for any shipping damages. If you find damages, do not install.

Please note all products must be installed by a professional and certified plumber otherwise warranty might be voided.

## POSSIBLE TOOLS REQUIRED\*



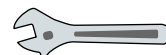
Plumbers Tape



Tape Measure



Level



Adjustable Wrench



Hex Wrench



Thread Sealant



Drill



Pencil or Marker



Screwdriver

\*not included

## Technical Information

Power: DC:6V(4AA alkaline battery)  
AC:220V-240V; 50/60HZ

Detection Zone: 16-32 cm or adjustable

Motor valve lifespan: up to 500000 flushes

Battery lifespan: 100000 cycles

Static Power Consumption: 0.36mw

Working Power consumption: 0.5mw

Inductive Opening Time: < 1 second

Inductive Closing Time: < 2 second

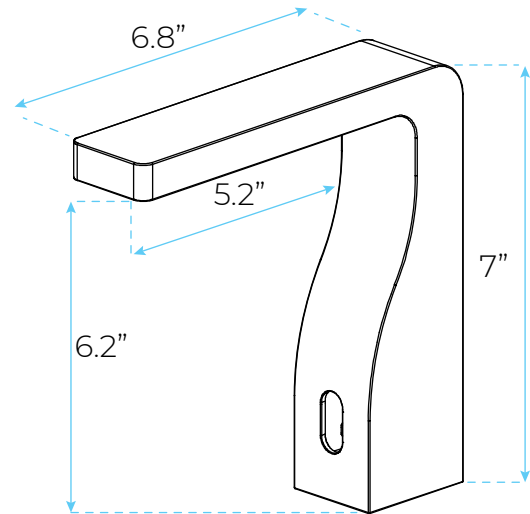
Flow rate at 3 bar flow pressure for basin: ≥ 12 L/min

Flow pressure: min. 0.5 bar - recommended 1 – 5 bar

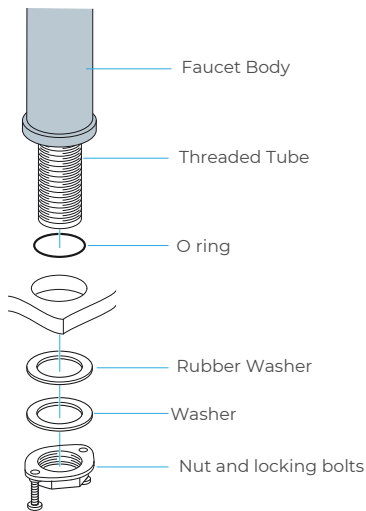
Operating pressure: max. 10 bar

Test pressure: 16 bar

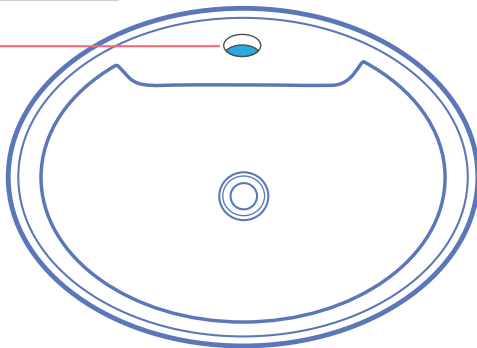
## Faucet Size



## Faucet Deck Mount Installation



## Hole Size Chart

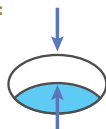


### Pre-drilled hole size requirements:

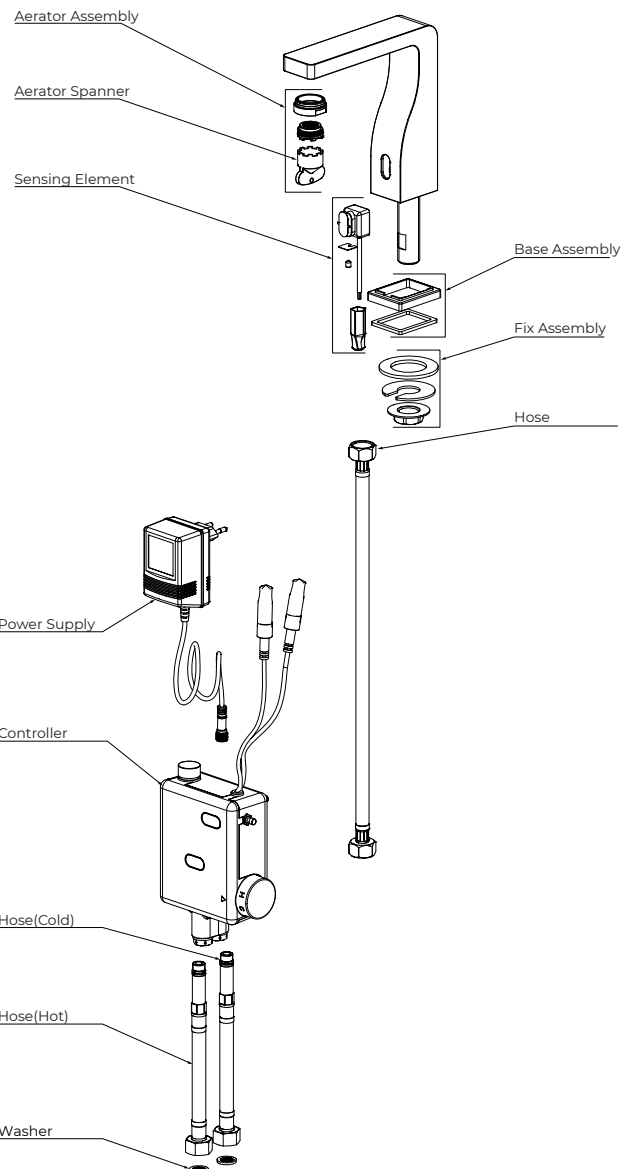


Min: 1.26"/32mm - Max: 1.38"/35mm

### Max counter top thickness without deck plate:



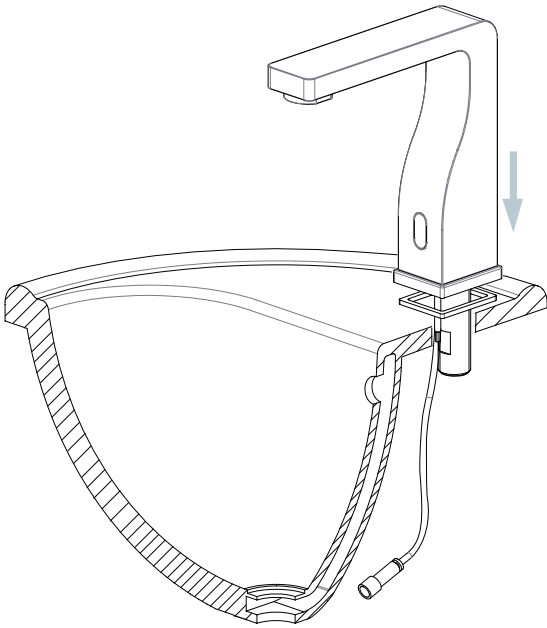
1.38"/35mm



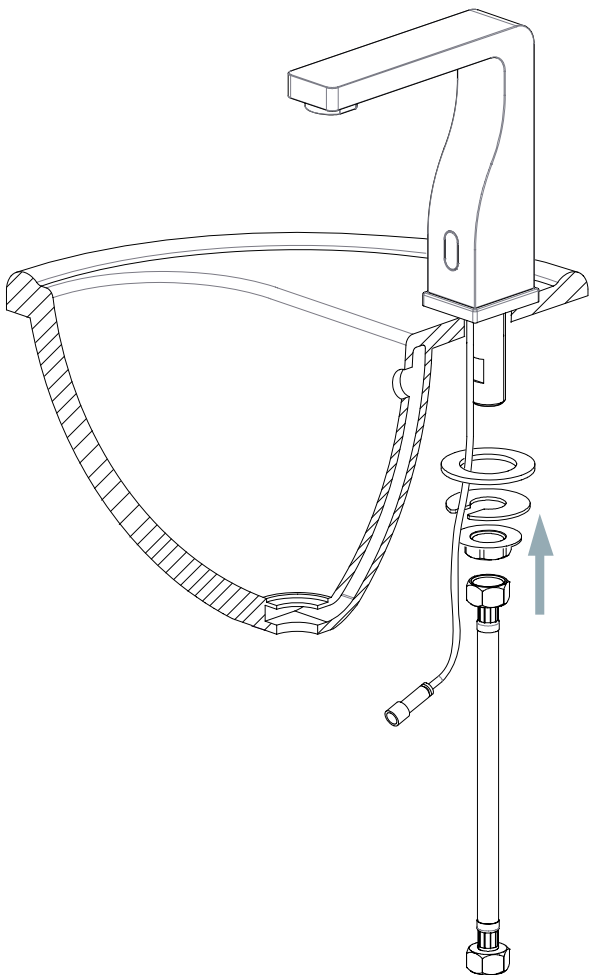
All dimensions and specifications are nominal and may vary. Use actual products for accuracy in critical situations.

## Installation Instructions

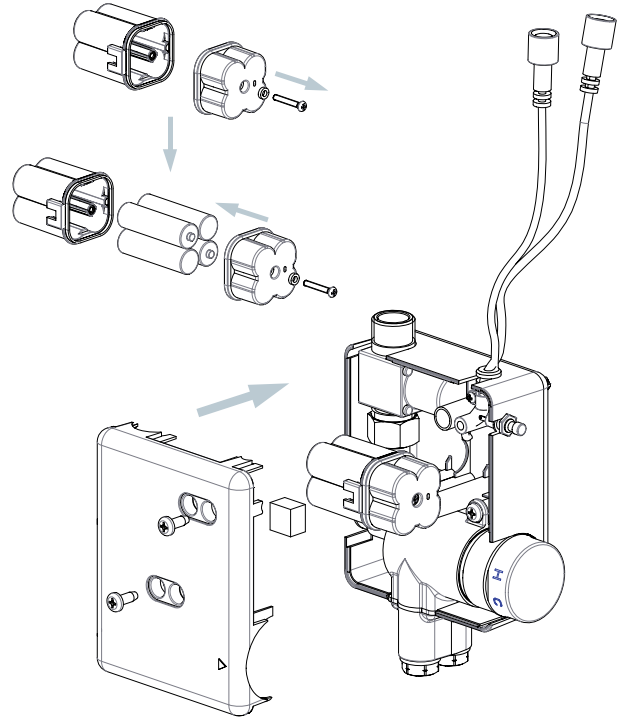
### Step 1:



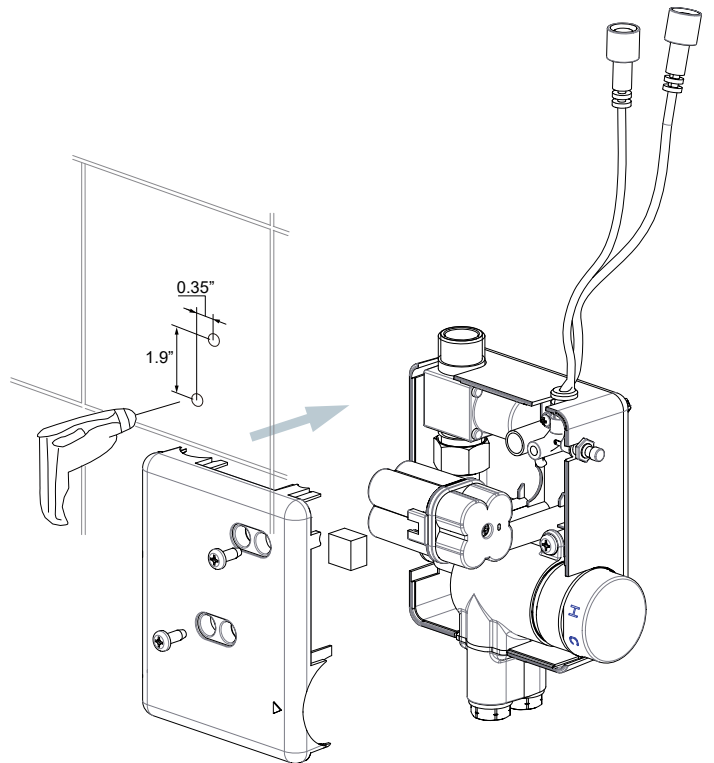
### Step 2:



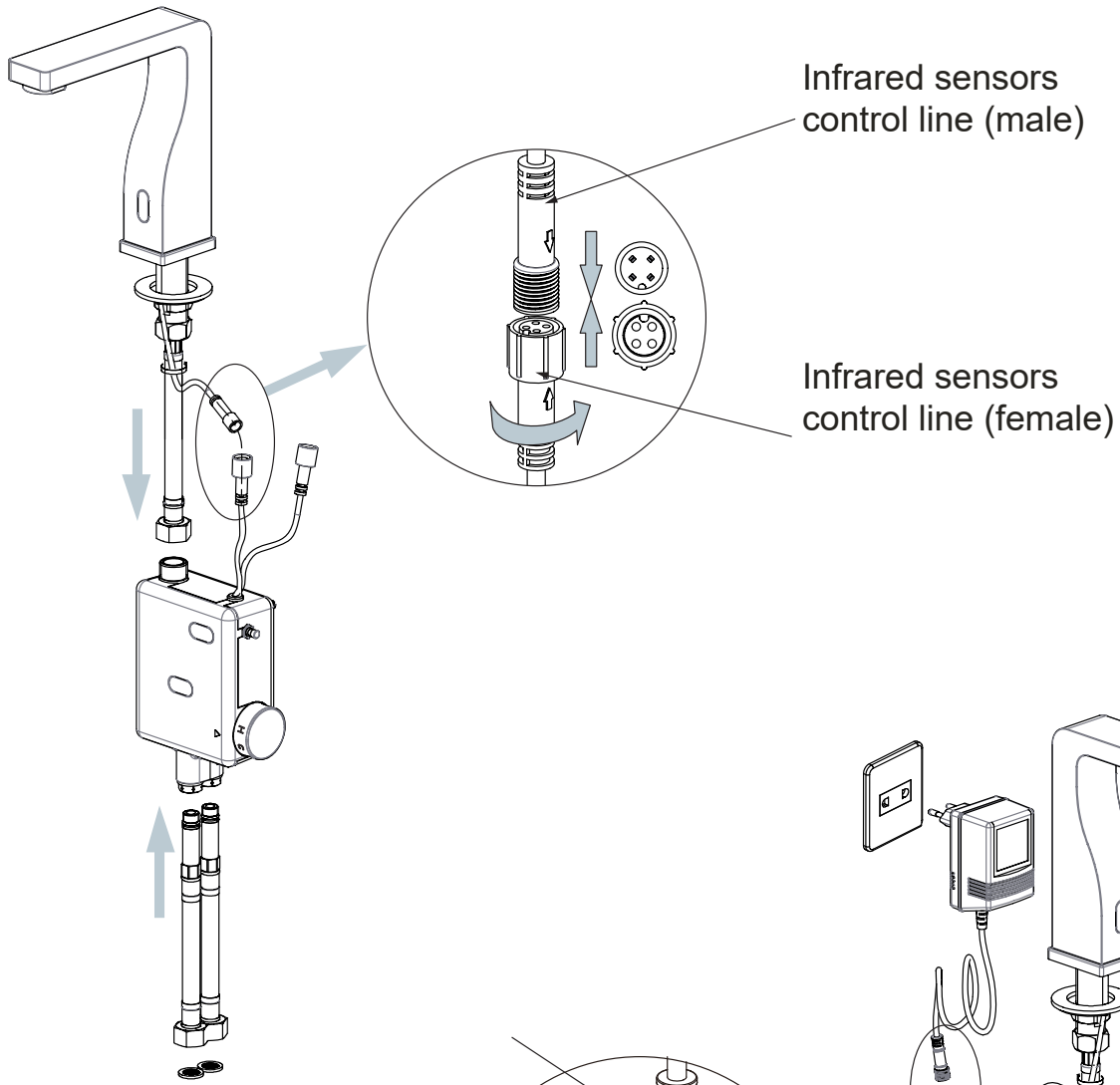
### Step 3:



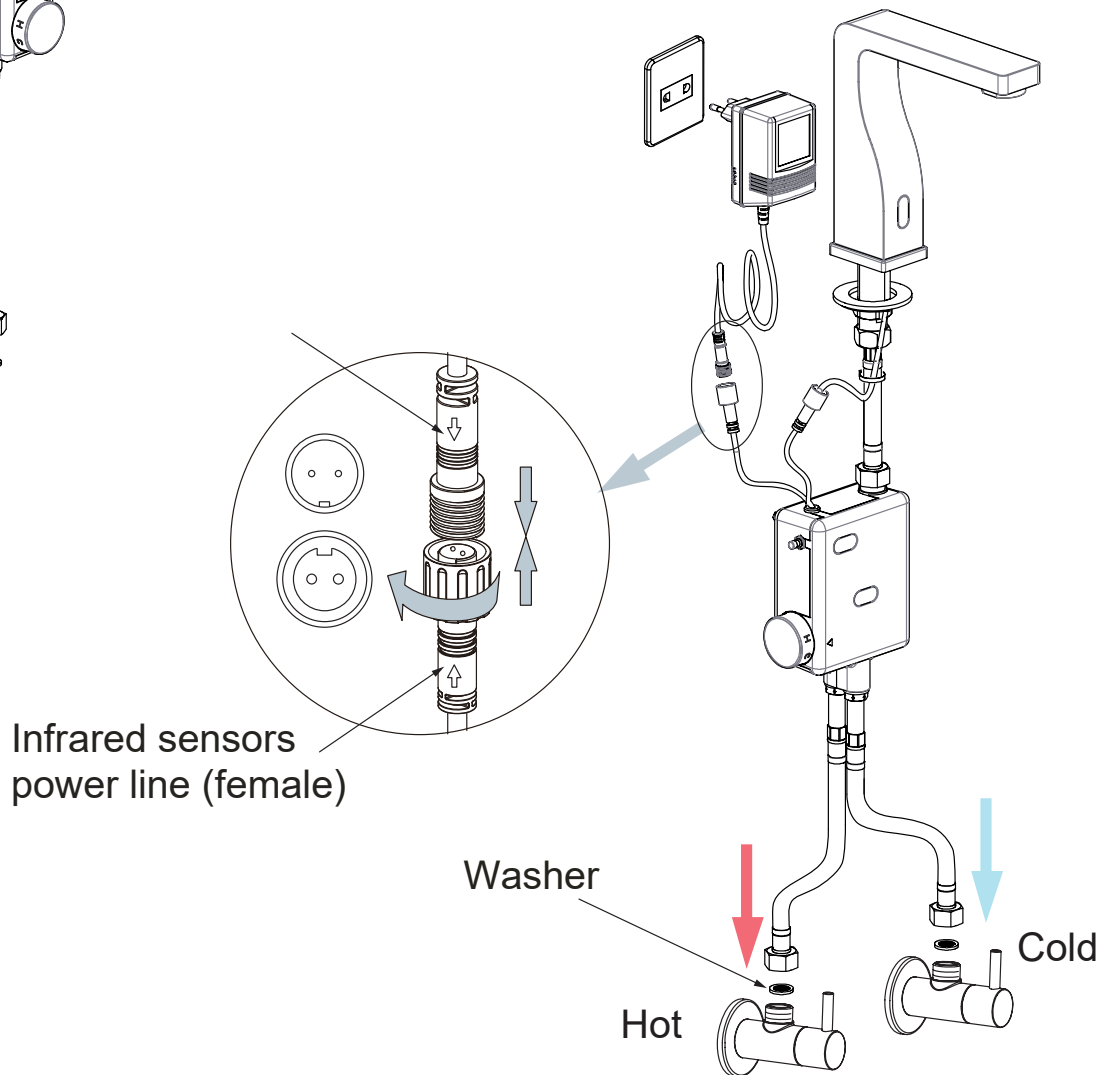
### Step 4:



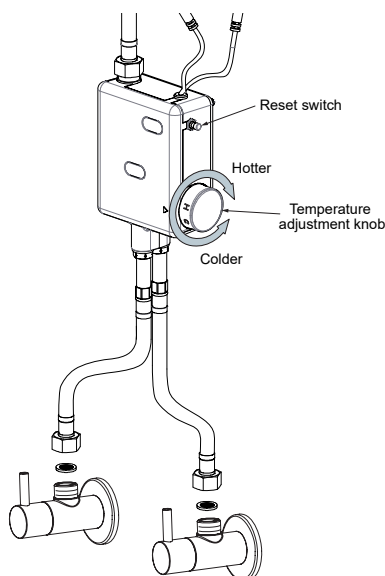
## Step 5:



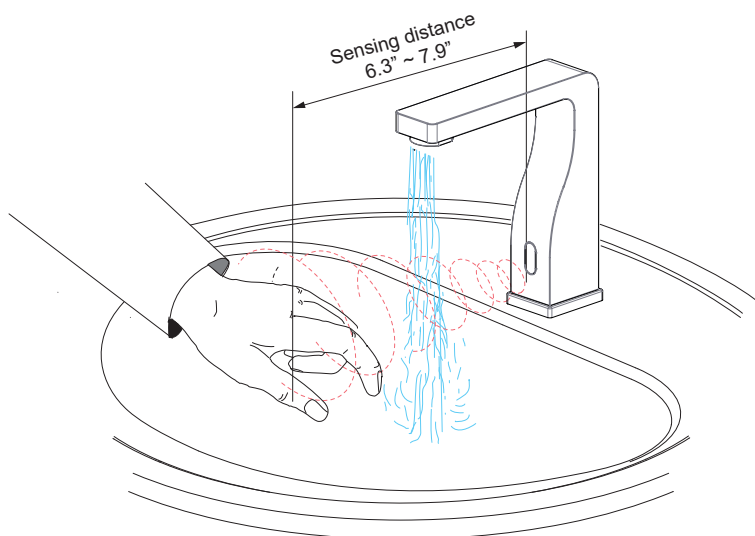
## Step 6:



## Step 7:



## Step 8:



1. Before installation, please make sure the power is turned off.
2. When connecting the control line and power line according to the arrow, please note the male and female to prevent the circuit board from burning out, because of the incorrect connection.
3. Be sure the washer installed to prevent impurities into the water valve to avoid leakage.
4. Overtime protection: Continuous induction water for more than 60 seconds, it will stop automatically.
5. When abnormal (No Induction but water out etc.), hold down the reset switch on the sensor box 3 seconds then release (When press the reset switch the sensor does not action), the control circuit repower, return to normal.

### Flexible Connecting Hose

Care must be taken when connecting the flexible connection hose from the power supply box to the spout to ensure it does not bend sharply and kink or twist.  
See above for recommended ways to fit the flexible connecting hose.

Important: Failure to follow these guidelines may result in poor performance and damage to the flexible connection hose.

### Specifications

Flow pressure: min. 0.5 bar - recommended 1 – 5 bar  
 Operating pressure: max. 10 bar  
 Test pressure: 16 bar  
 Flow rate at 3 bar flow pressure for basin:  $\geq 12$  L/min  
 Hot water inlet temperature: max. 80°C  
 Recommended (energy saving): 60°C  
 Environment temperature: 5°C ~ 45°C

### Power:

Dc type: AA Size 1.5V Battery, 4 pcs Ac type (for European standard): Input 220V, Output 6V/500mA  
 Sensing Distance: 16-20 cm  
 Sensing Duration: 1 second  
 Battery Lift Time: Appr. 50,000 cycle  
 Supply Water Pressure: 0.5-5 kgf/cm<sup>2</sup>  
 Ambient Temperature: 5°C - 45°C (Supply Water Temperature 5°C - 50°C)  
 Supply Water Pipe Specification: G1/2  
 Non-working Power Consumption:  $\leq 0.5$  mW

## Sensor Range

This machine can automatically adjust the inductive range within 10 seconds of electrification. Don't use inductor during this period in order for the inductor to automatically adjust to a suitable inductive range.

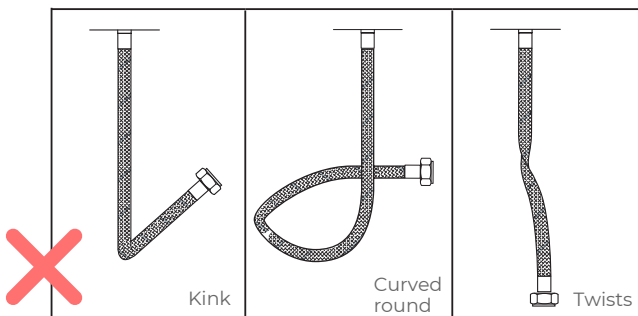
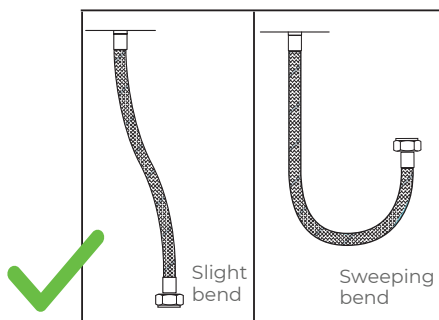
## Set Water Flow Time-Out

The machine will shut off the water when washing time exceeds 1.5 minutes foreign matter induces continuously in inductive areal. If follow-up washing is needed, re-induce after removing hands for 2 seconds.

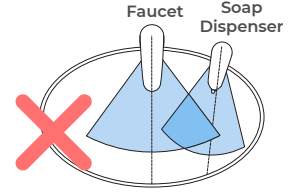
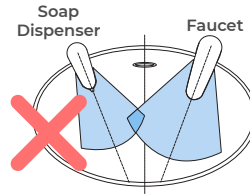
## Notes

1. Please use the AA type alkaline battery (1.5v for each).
2. Fix the battery correctly. Should not be mix use the batteries with different brands, the new and old and if use non-alkaline battery, the battery life is short in 1-2 months.
3. After installation of the battery, the solenoid valve will do its self-testing.
4. After providing the power, in 10sec, the machine will self adjust the sensor distance, so during this period, do not make it work.
5. If the sensor distance is short, please move away the barrier for 5-6 mins, the machine will adjust to normal.
6. If the sensor distance from far to near, and water flows continuously, the machine will self-adjust the distance after 5 mins.

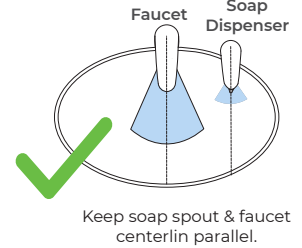
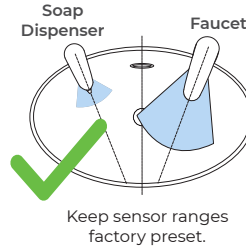
## Correct way for Hose



## Incorrect Installation



## Correct Installation



## General Information

Our sensor spouts have a non-touch control which uses infrared sensing technology to detect human presence. Once detected, the spout instantly dispenses water and automatically stops once the user moves their hands away to eliminate unnecessary water wastage, whilst creating a more hygienic washroom solution.

All products manufactured and supplied by Fontana are safe and comply to legislative requirements. Providing they are installed correctly and receive regular maintenance in accordance with these instructions your user experience will not be affected.

## Battery Override

In the event of a power failure, the product will automatically switch to battery operated mode to ensure the spout continues to function. The tap can also operate on the battery alone if no mains power source is available.

## Hygienic

The proximity sensor removes the need to touch the spout body, reducing the spread of germs and reducing the chance of cross infection.

For more details, visit the product page:

