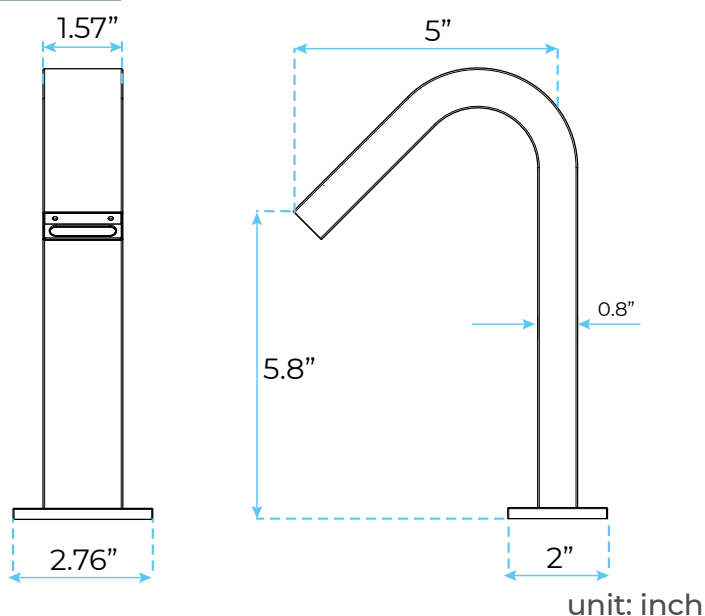


DUAL FUNCTION AUTOMATIC DECK MOUNT CHROME SENSOR WATER FAUCET AND SOAP DISPENSER SPECIFICATIONS



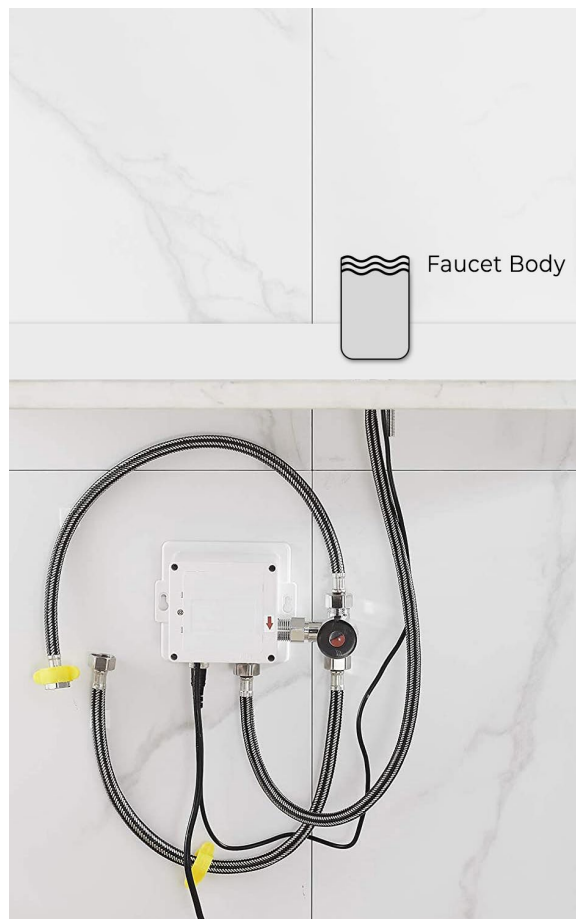
Size



Specs

- Infra-red basin Tap with Soap Dispenser deck mounted
- Mains and Battery powered
- 220-240v or 4x 6v AA batteries
- Sensing distance: 250±50 mm
- Soap output: ≤ 2ML per use
- Soap bottle capacity: 1600-2000 ML
- Soap viscosity: 100-3500cp(mpA.s)

Overview



Description	Automatic faucet with soap dispenser
Power Supply	DC: 6V (4AA alkaline batteries) AC : 220V-240V ; 50/60Hz
Static Power Consumption	DC: ≤0.18 - 0.33 mW
Sensing Range	Sensing for Water : 25±5 CM Sensing for Soap : 10±2 CM (based on white board)
Water Pressure	0.5 Bar - 8 Bar
Ambient Temperature	1°C - 55°C
Inlet	G1/2"

All dimensions and specifications are nominal and may vary. Use actual products for accuracy in critical situations.