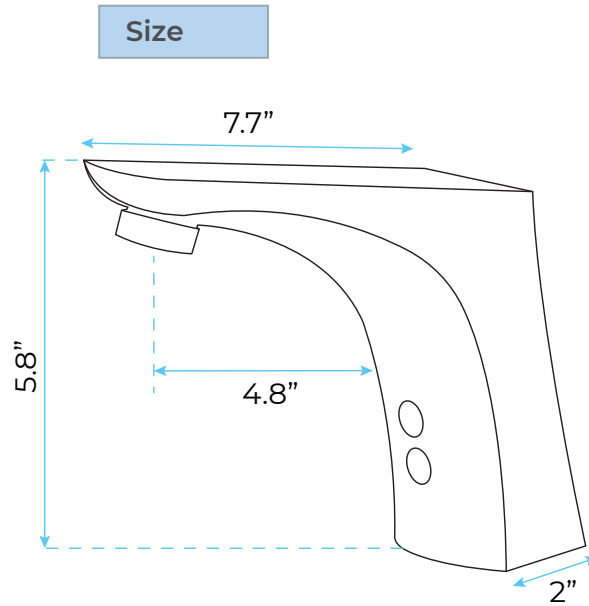


COMMERCIAL THERMOSTATIC AUTOMATIC SENSOR FAUCET SPECIFICATIONS



unit: inch

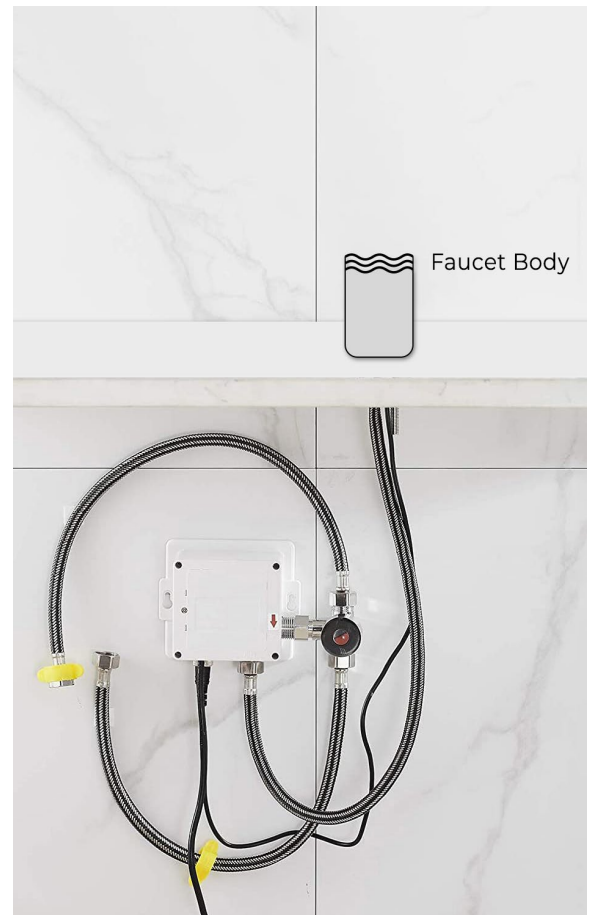
Specs

Power: DC:6V(4AA alkaline battery) AC:220V-240V; 50/60HZ
Water Consumption: 0.05Mpa-0.6Mpa
Detection Zone: 16-32 cm or adjustable
Motor valve lifespan: up to 500000 flushes
Battery lifespan: 100000 cycles
Static Power Consumption: 0.36mw
Working Power consumption: 0.5mw
Inductive Opening Time: < 1 second
Inductive Closing Time: < 2 second
Dia.of inlet / outlet pipe: G1/2"
Flux: $\geq 0.07L/S$
Power Supply: Box Transformer (BOX)
Temperature Mixer: Below Deck Manual Mixing Valve (BDM)
Factory Default Timeout: 30s
Factory Default GPC: 0.75
Working pressure: 0.05 - 1.6 Mpa
Water flow: 1.5 GPM

FEATURES

Commercial Grade Faucet, ADA Compliant, Cast Brass Spout, Quick Connect Fittings, Integrated Water Shut-off, Hygienic Line Flush, Water Usage and Battery Strength Reporting, Self-adapting Sensor

Overview



All dimensions and specifications are nominal and may vary. Use actual products for accuracy in critical situations.