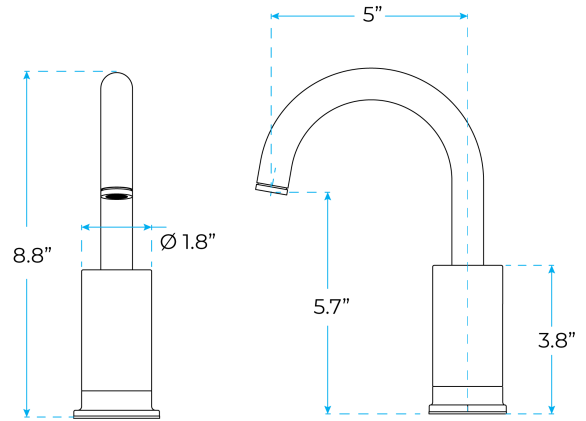


FONTANA COMMERCIAL AUTOMATIC BRUSHED GOLD MOTION SENSOR FAUCET SPECS



SPECS :

Power: DC:6V(4AA alkaline battery)

AC:220V-240V; 50/60HZ

Water Consumption: 0.05Mpa-0.6Mpa

Detection Zone: 16-32 cm or adjustable

Battery lifespan: 100000 cycles

Static Power Consumption: 0.36mw

Working Power consumption: 0.5mw

Inductive Opening Time: < 1 second

Inductive Closing Time: < 2 second

Dia.of inlet / outlet pipe: G1/2"

Particle Filter Size: 50 Mesh

Water Pressure: 0.5 - 7.0 KGS/cm, 10 - 125 psi

Aerator: 2.2 GPM Standard

Working Water Pressure: 1 PSI -100 PSI

