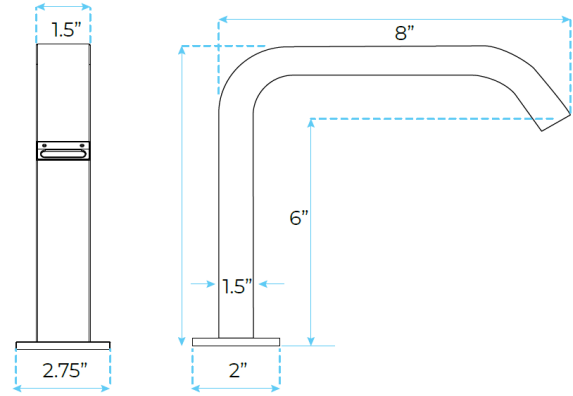


FONTANA COMMERCIAL BRUSHED GOLD TOUCH LESS AUTOMATIC SENSOR HANDS FREE FAUCET SPECS



SPECS:

Power: 220-240V OR 4 X 1.5V AA BATTERIES

Product type: Touchless Tap

Range: Smooth

Detection Zone: 16-32 cm or adjustable

Battery lifespan: 100000 cycles

Static Power Consumption: 0.36mw

Working Power consumption: 0.5mw

Sensing distance: ≤50MM ; ≥350MM

Inductive Closing Time: < 2 second

Dia.of inlet / outlet pipe: G1/2"

Test Range : 0.2-5 Bar

Temperature: 0.1-50°C

Min. Operating Pressure: 1.0 BAR MP

