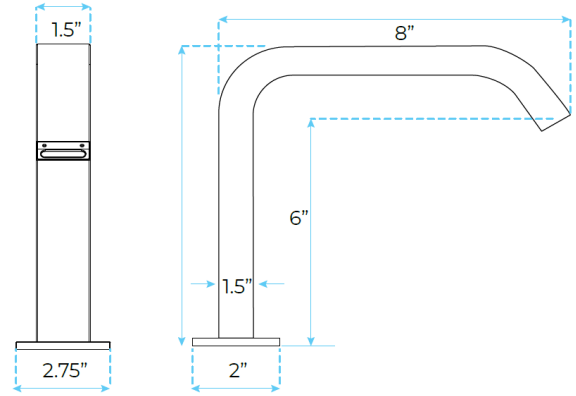


FONTANA COMMERCIAL BRUSHED NICKEL TOUCH LESS AUTOMATIC SENSOR HANDS FREE FAUCET SPECS



SPECS:

Power: 220-240V OR 4 X 1.5V AA BATTERIES

Product type: Touchless Tap

Range: Smooth

Detection Zone: 16-32 cm or adjustable

Battery lifespan: 100000 cycles

Static Power Consumption: 0.36mw

Working Power consumption: 0.5mw

Sensing distance: $\leq 50\text{MM}$; $\geq 350\text{MM}$

Inductive Closing Time: < 2 second

Dia.of inlet / outlet pipe: G1/2"

Test Range : 0.2-5 Bar

Temperature: 0.1-50°C

Min. Operating Pressure: 1.0 BAR MP

