

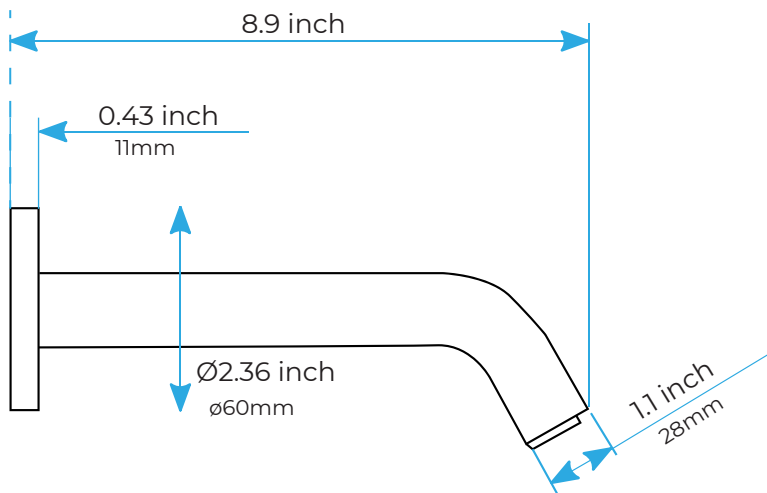
MATTE BLACK WALL MOUNT TOUCHLESS COMMERCIAL AUTOMATIC SENSOR FAUCET SPECIFICATIONS

Technical Information

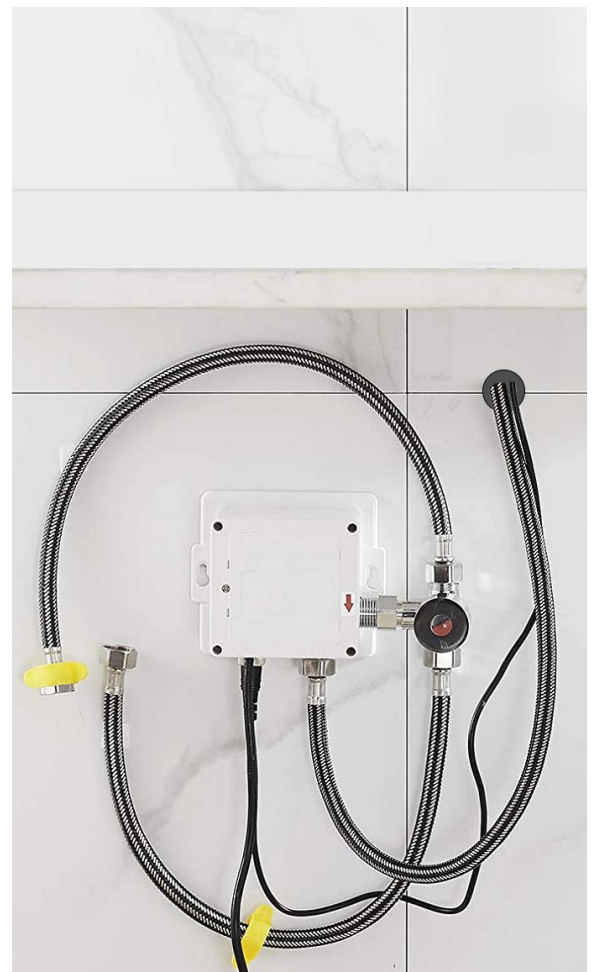


Installation Type: Wall Mounted
 Installation Holes: One Hole
 Valve Type: Ceramic Valve
 Suitable water pressure: 0.3-1.2MPa
 Temperature of environment: 1-45 °C (cold & hot water)
 Power: AC/DC
 Dia of inlet/outlet pipe: G1/2"
 Inductive distance: 12-15 cm
 Flow Rate: 0.5 GPM

Size



Overview



All dimensions and specifications are nominal and may vary. Use actual products for accuracy in critical situations.