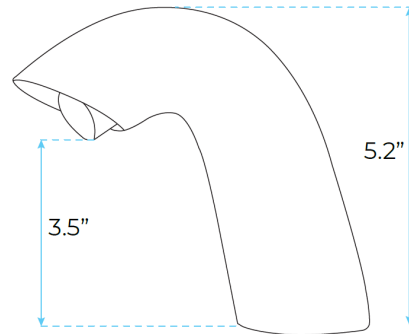


## LIMOGES DECK MOUNTED CHROME TOUCHLESS ELECTRONIC BATHROOM SENSOR FAUCET SPECS



### **SPECS:**

Power: DC:6V(4AA alkaline battery)

AC:220V-240V; 50/60HZ

Water Consumption: 0.05-1.6Mpa

Detection Zone: 5-35 cm or adjustable

Motor valve lifespan: up to 500000  
flushes

Battery lifespan: 100000 cycles

Static Power Consumption: 0.36mw

Working Power consumption: 0.5mw

Inductive Opening Time: < 1 second

Inductive Closing Time: < 2 second

Dia.of inlet / outlet pipe: G1/2"

Flux:  $\geq 0.07L/S$

Test Range : 0.2-5 Bar

Min. Operating Pressure: 1.0 BAR MP

