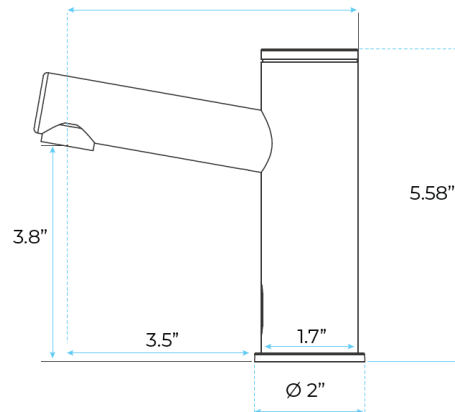


FONTANA LYON FREESTANDING CHROME FINISH COMMERCIAL AUTOMATIC SENSOR FAUCET SPECS



Size:



Specifications

- Installation: Lavatory mounted
- Water supply: Cold or premixed water (1 inlet)
- Water temperature: Max 70 °C
- Operating pressure: 0.5 - 8.0 bar
- Water flow: 6 lpm / 1.58 gpm
- Power source: 9V Alkaline battery
- Motion detection touchless sensor faucet operation
- Sensitive Sensor with Infrared AI Smart-Chip
- Power Supply: AC110V And DC6V (batteries not included)
- AC/DC power option.
- Usage: Commercial / Residential

