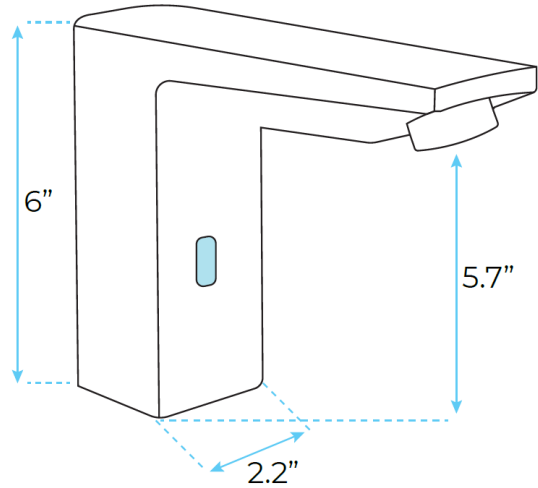


FONTANA LIMA COMMERCIAL CHROME AUTOMATIC SENSOR SINK FAUCET SPECS



SPECS:

Power DC:6V(4AA alkaline battery)

AC:220V-240V; 50/60HZ

Water Consumption - 0.05Mpa-0.6Mpa

Detection Zone - 16-32 cm or adjustable

Motor valve lifespan - up to 500000 flushes

Battery lifespan - 100000 cycles

Static Power Consumption - 0.36mw

Working Power consumption - 0.5mw

Inductive Opening Time - < 1 second

Inductive Closing Time - < 2 second

Dia.of inlet/ outlet pipe - G1/2"

Flux - $\geq 0.07L/S$

Temperature - 0.1-50°C

Dia of installing faucet - 33~35mm

