

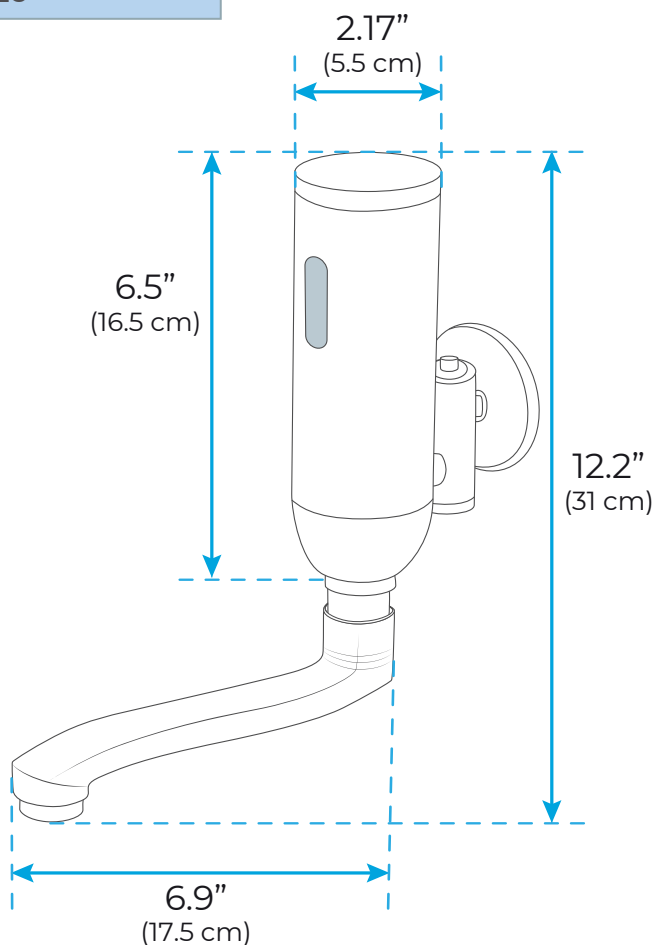
COMMERCIAL WALL MOUNT TOUCHLESS COMMERCIAL AUTOMATIC SENSOR FAUCET SPECIFICATIONS

Technical Information



Installation Type: Wall Mounted
 Installation Holes: One Hole
 Valve Type: Ceramic Valve
 Working Water Pressure: 0.05-0.8 Mpa
 Recommended Water Pressure: 0.1-0.5 Mpa
 Temperature of environment: 1-45 °C (cold & hot water)
 Power: AC/DC
 Consumption: DC <0.5mW
 Dia of inlet/outlet pipe: G1/2"
 Inductive distance: 12-15 cm

Size



Overview



All dimensions and specifications are nominal and may vary. Use actual products for accuracy in critical situations.