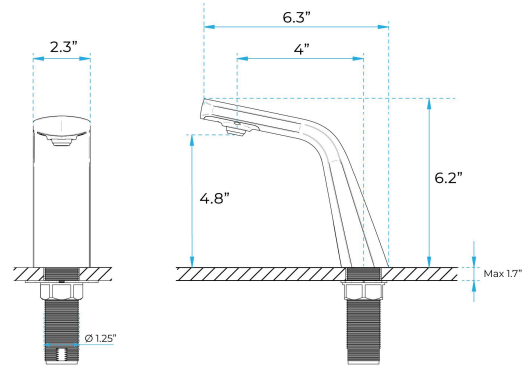


FONTANA LUIGI BRASS COMMERCIAL TOUCHLESS AUTOMATIC DECK MOUNT SENSOR FAUCET SPECS



SPECS:

Power: DC:6V(4AA alkaline battery)

AC:220V-240V; 50/60HZ

Temperatural adjustable 0 °C ~ 60 °C

Detection Zone: 10-30 cm (Adjustable)

or
adjustable

Motor valve lifespan: up to 500000
flushes

Battery lifespan: 100000 cycles

Static Power Consumption: 0.36mw

Working Power consumption: 0.5mw

Inductive Opening Time: < 1 second

Inductive Closing Time: < 2 second

Dia.of inlet / outlet pipe: G1/2"

Flux: ≥0.07L/S

Water flow: 4.8-5.4 L/Min

Water Pressure: 0.05~0.7 MPa

