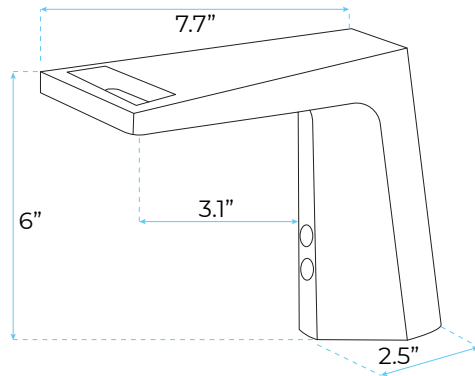


FONTANA MELUN COMMERCIAL HANDS FREE TOUCHLESS AUTOMATIC MATTE BLACK FINISH SENSOR FAUCET SPECS



SPECS:

Faucet Mount: Single Hole

Main body material: 59-1brass

Power supply: AC/DC (Optional)

Sensor distance: Factory preset 15cm

Bubbler: Honeycomb bubbler

Sensor: Infrared induction

Battery Box: Waterproof design

Salt Spray Test: 200 hours of salt spray neutral test

Configuration: Single cold/hot and cold

Operating voltage: 220V (According to the customer market)

