

COMMERCIAL AUTOMATIC CHROME TOUCHLESS SENSOR FAUCET WITH HAND DRYER INSTALLATION INSTRUCTIONS



PRIOR TO INSTALLATION

Please read installation instructions below. All plumbing should be installed in accordance with applicable building codes and regulations.

Unpack and inspect the items for any shipping damages. If you find damages, do not install.

All products must be installed by a professional and certified plumber otherwise warranty may be voided.

POSSIBLE TOOLS REQUIRED*



Plumbers Tape



Tape Measure



Level



Adjustable Wrench



Hex Wrench



Thread Sealant



Drill



Pencil or Marker



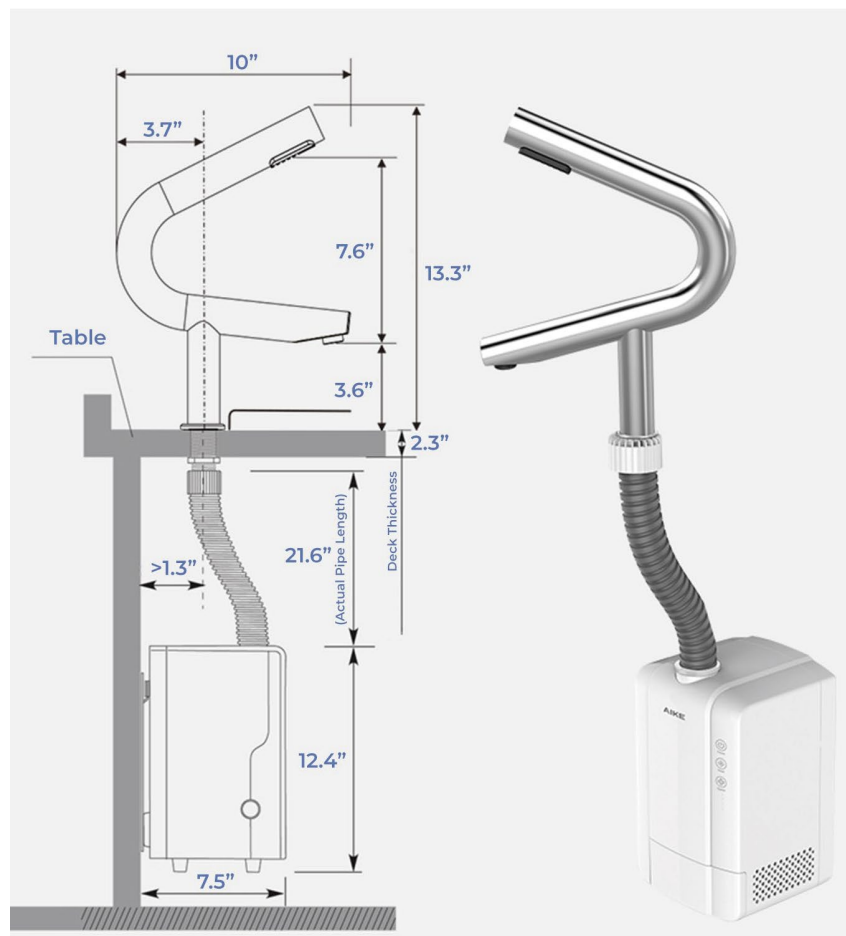
Screwdriver

*not included

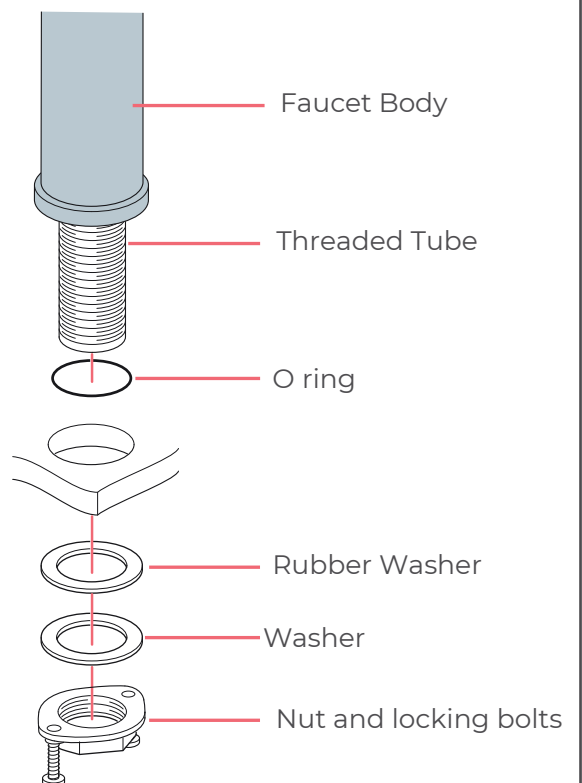


Specifications

- Voltage: 100-130V / 220-240V
- Frequency: 50/60Hz
- Rated power: 1200-1400W
- Motor power: 550W
- Motor type: Carbon brush motor
- Heater type: Heating wire
- Material: 304 stainless steel / ABS
- Waterproof: IP24
- Sensing type: Touch-free infrared
- Air speed: 90m/s
- Drying time: 10-15s
- Air temperature: 25-40°C
- Overtime protection: 45s
- Sensing distance: 100mm
- Noise level : 75dB@1m
- Net weight: 4.99kg
- Tap size: 35*255*338 mm
- Body size: 315*215*191 mm



Faucet Deck Mount Installation



All dimensions and specifications are nominal and may vary. Use actual products for accuracy in critical situations.

Features:

1. Quick Dry — High-speed airflow, 10-15 seconds dry time, four air speeds for adjustment.
2. Air Tap — The revolutionary design with an up and down array to effectively solve the problem of water splash.
3. Durable Construction — Using 304 stainless steel material cover in Tap, ABS plastic material cover in body, stable and durable.
4. Hygiene — With built-in Double filtration (HEPA + filter) to keep healthy and hygiene, prevent 99.9 of the bacteria from the air.
5. Installation— Requires matching basin design.
6. Improve efficiency — Greatly improve hand cleaning efficiency to finish hand washing and drying without leaving the sink.
7. Simple appearance — Simple, generous and artistic appearance to enrich the type of faucet.
8. Intelligent System
 - ① Advanced sensing technology to avoid wrong induction. Air does not sense when using water, water does not sense when using gas;
 - ② Power-off memory function;
 - ③ Intelligent heating and forced heating modes;
 - ④ Respiration light reminder function.



[Installation \(Video\)](#)

For more detailed Installation,
Scan Qr code :

