

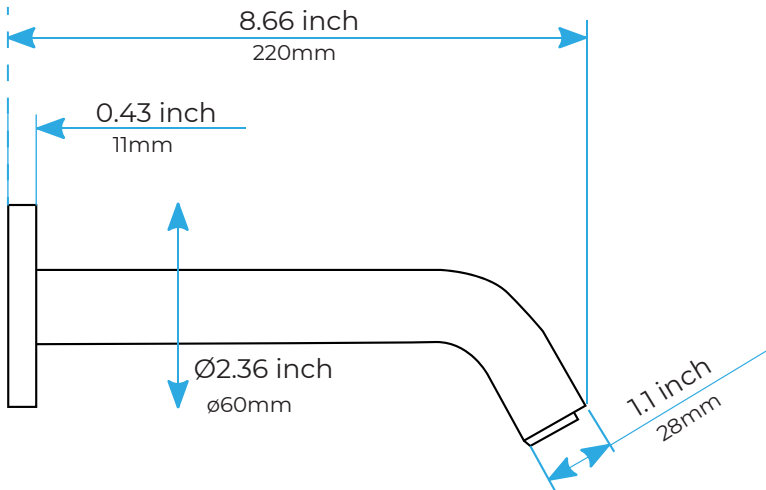
# BRIO WALL MOUNT COMMERCIAL SENSOR FAUCET BRUSHED GOLD FINISH SPECIFICATIONS



### Technical Information

Power: DC:6V(4AA alkaline battery) AC:220V-240V; 50/60HZ  
 Water Consumption: 0.05Mpa-0.6Mpa  
 Detection Zone: 16-32 cm or adjustable  
 Motor valve lifespan: up to 500000 flushes  
 Battery lifespan: 100000 cycles  
 Static Power Consumption: 0.36mw  
 Working Power consumption: 0.5mw  
 Inductive Opening Time: < 1 second  
 Inductive Closing Time: < 2 second  
 Dia.of inlet / outlet pipe: G1/2"  
 Flux: ≥0.07L/S  
 Operating Pressure: 1.0 - 8.0 bar (14.5 - 116 PS)  
 Maximum Water Temperature: 70°C  
 Capacity: 6 volts

### Size



### Overview

