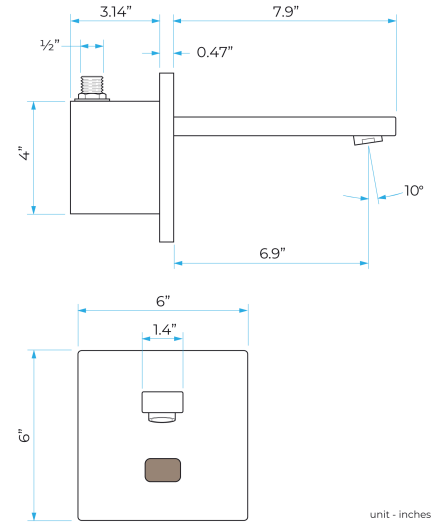


FONTANA COMMERCIAL CHROME WALL MOUNTED XT5 AUTOMATIC SENSOR FAUCET SPECS



SPECS :

220-240V OR 4X 1.5 AA BATTERIES
 Water Consumption: 0.05Mpa-0.6Mpa
 Detection Zone: $\leq 450\text{MM}$; $\geq 500\text{MM}$
 Motor valve lifespan: up to 500000
 flushes
 Battery lifespan: 100000 cycles
 Static Power Consumption: 0.36mw
 Working Power consumption: 0.5mw
 Inductive Opening Time: < 1 second
 Inductive Closing Time: < 2 second
 Connection Size 1/2"
 Mixer valve : AQM-WRM-T301-CON-CP
 Test Range 0.2-5 Bar
 Min. Operating Pressure 1.0 BAR MP

