

304 Brushed Nickel Solid Stainless Steel Round Anti-odor Floor Drain Bathroom Hardware Invisible Shower Floor Drain Installation Instructions



PRIOR TO INSTALLATION

Please read installation instructions below. All plumbing should be installed in accordance with applicable building codes and regulations.

Unpack and inspect the items for any shipping damages. If you find damages, do not install.

All products must be installed by a professional and certified plumber otherwise warranty may be voided.

POSSIBLE TOOLS REQUIRED*



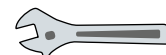
Plumbers Tape



Tape Measure



Level



Adjustable Wrench



Hex Wrench



Thread Sealant



Drill



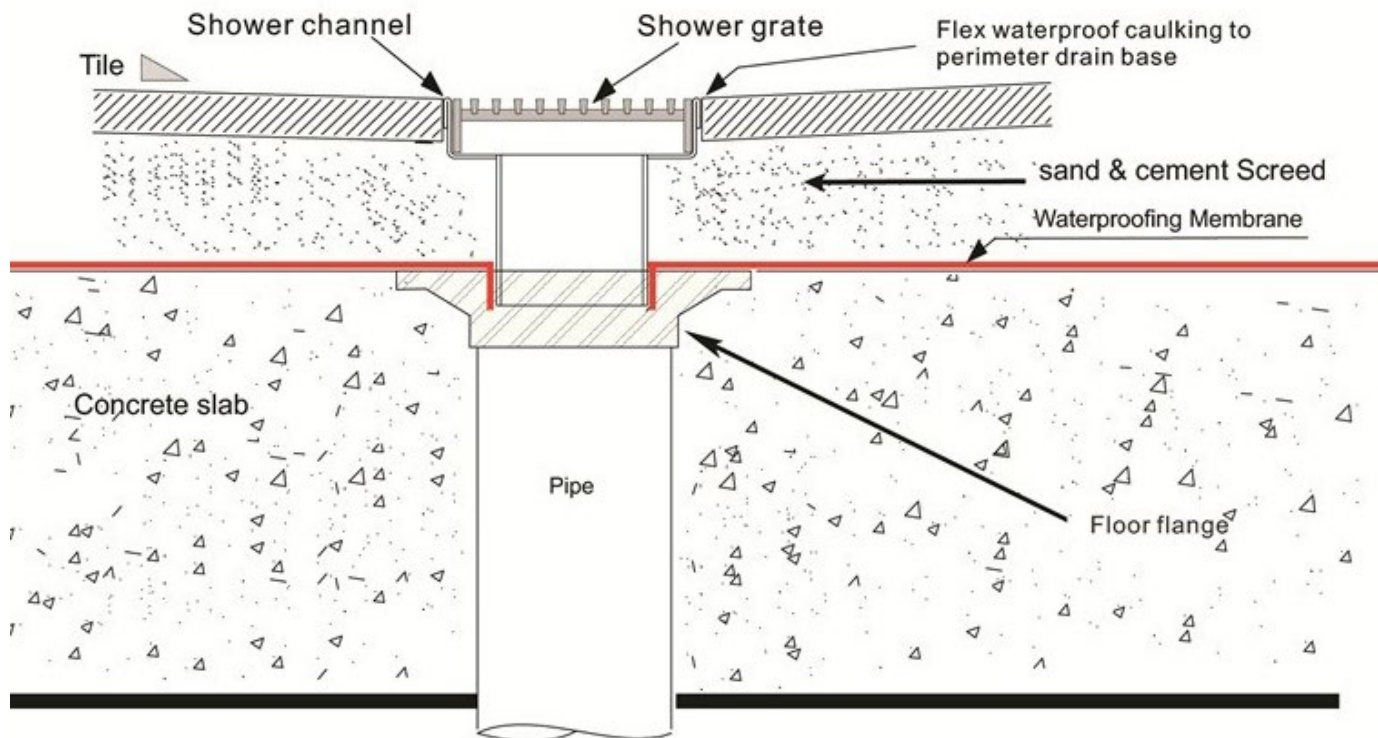
Pencil or Marker



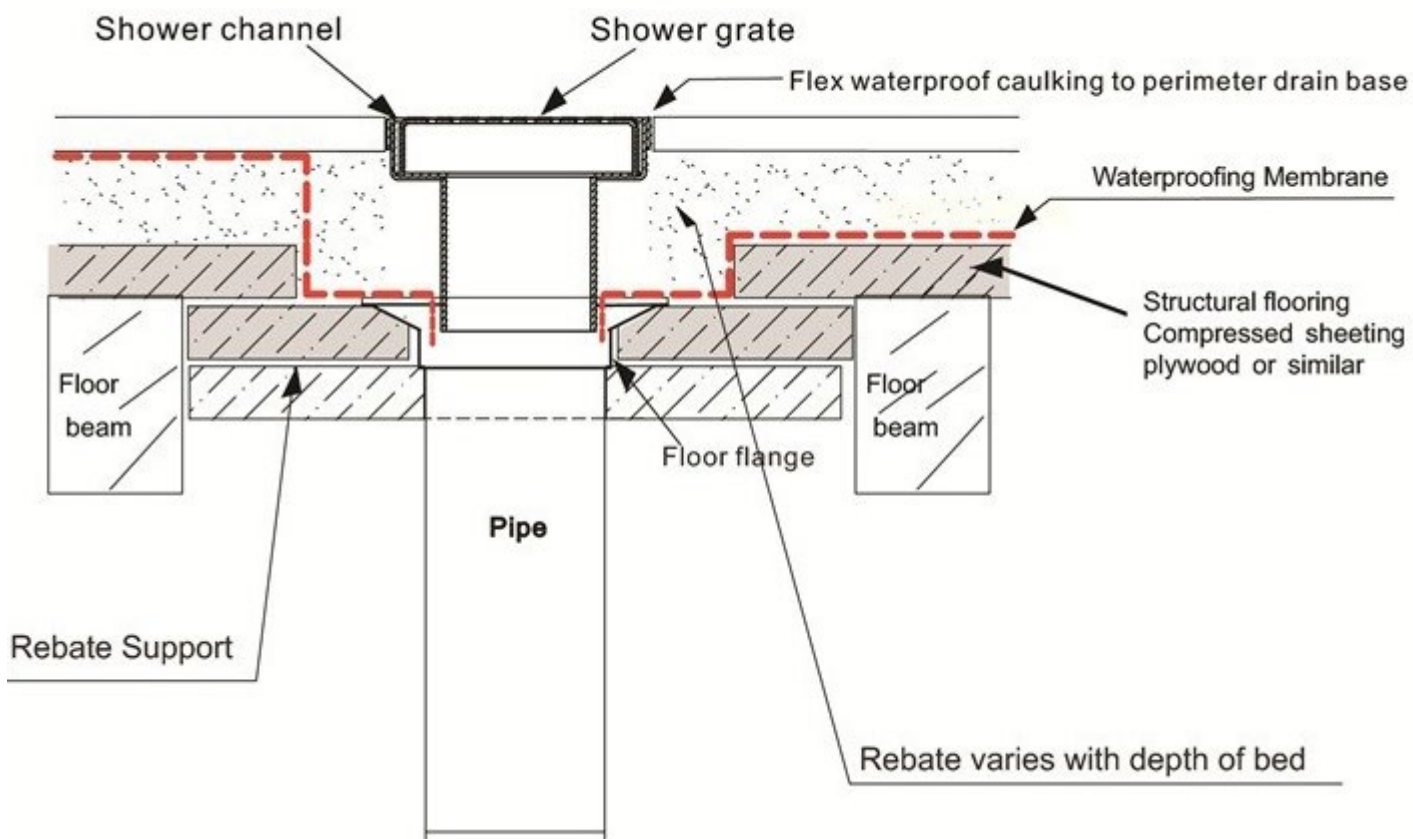
Screwdriver

*not included

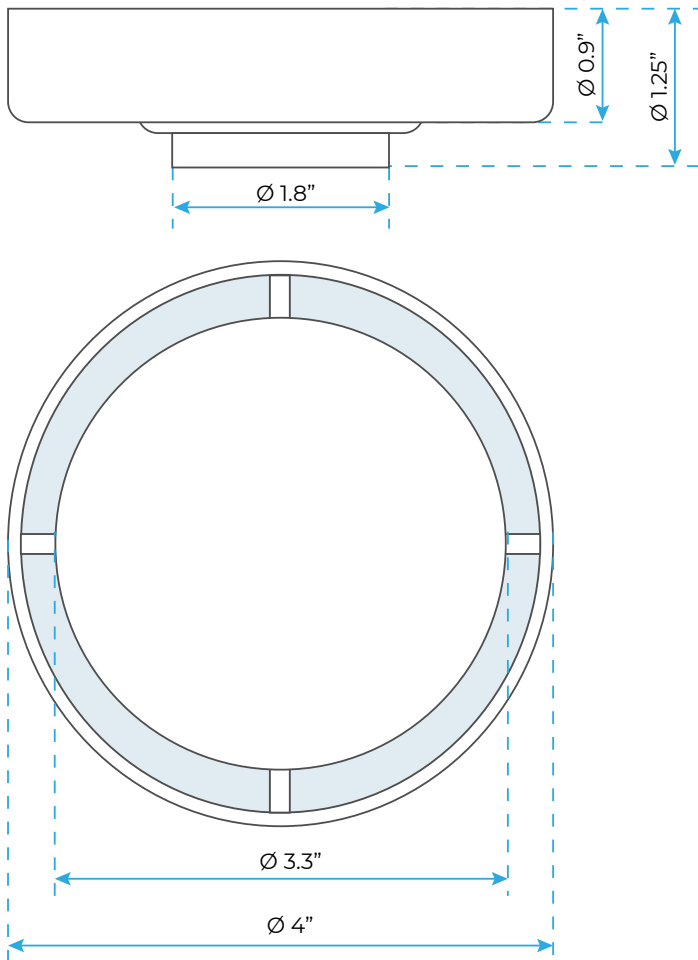
Installation on Concrete Slab



Installation on Tember Floor



Size



Assembly

