

FONTANA DIJON MATTE BLACK SINGLE FUNCTION UNIVERSAL RAIN ROUND SHOWER HEAD INSTALLATION INSTRUCTIONS



BEFORE YOU BEGIN

Before you begin, please read the installation instructions below. Observe all local building and safety codes.

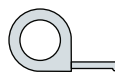
Unpack and inspect the items for any shipping damages. If you find damages, do not install.

Please note all products must be installed by a professional and certified plumber otherwise warranty might be voided.

POSSIBLE TOOLS REQUIRED*



Plumbers Tape



Tape Measure



Level



Adjustable Wrench



Hex Wrench



Thread Sealant



Drill



Pencil or Marker



Screwdriver

*not included

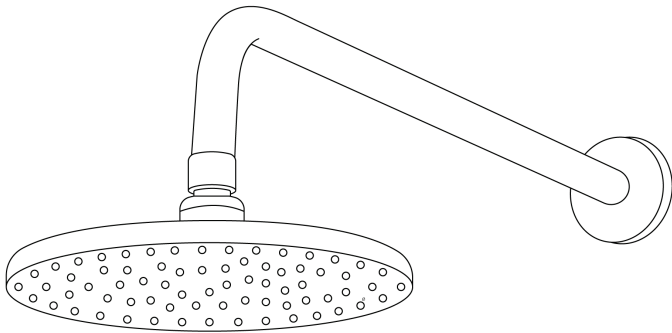
FEATURES

Shower Head Type: Fixed Showerhead
Finish: Black
Feature: No
Shower Head Shape: Round
Spray Pattern: Rain
Material: Brass
Flow Rate: 2.0 GPM / 7.6 LPM
Easy to install
For use with ceiling- or wall-mounted applications
Metal ball connector for durability
Ball connector swivel angle is 36 (18 per side)
Standard 1/2 in.-14 NPT pipe fitting



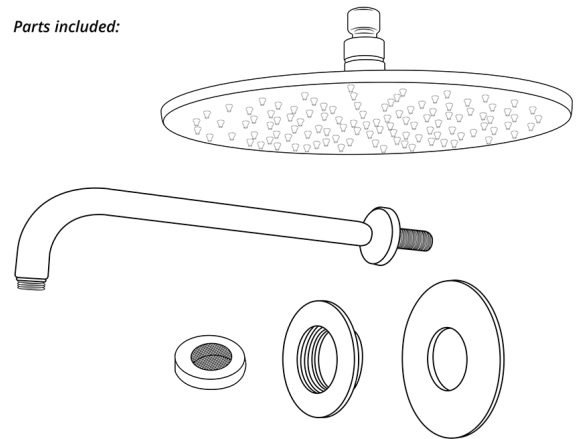
Shower Head Installation Instruction

Step 1:

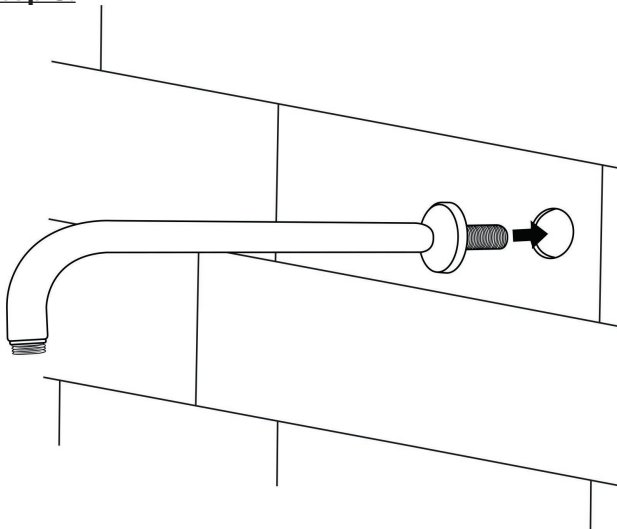


Step 2:

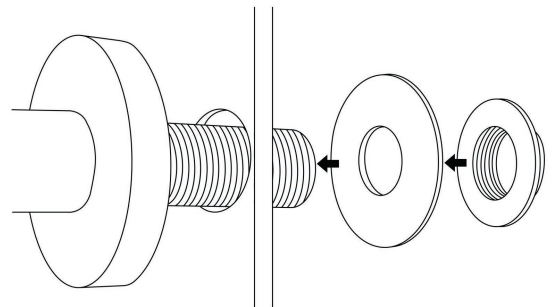
Parts included:



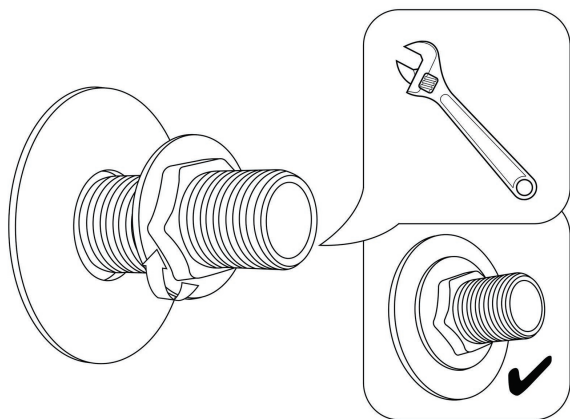
Step 3:



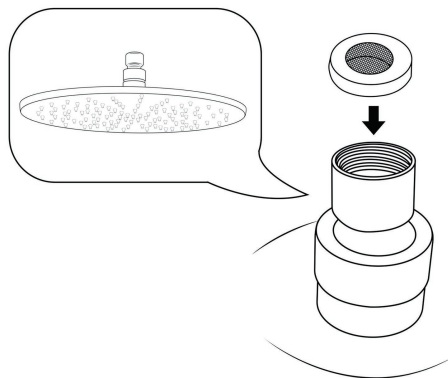
Step 4:



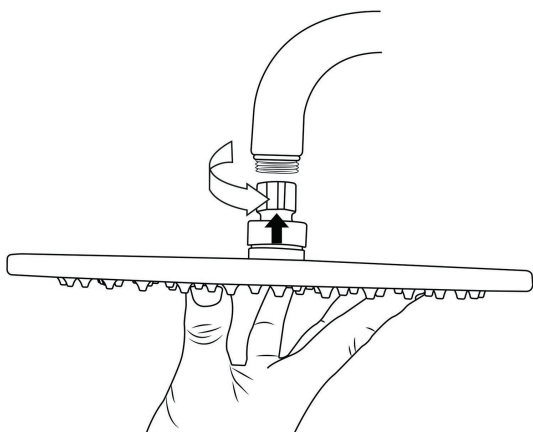
Step 5:



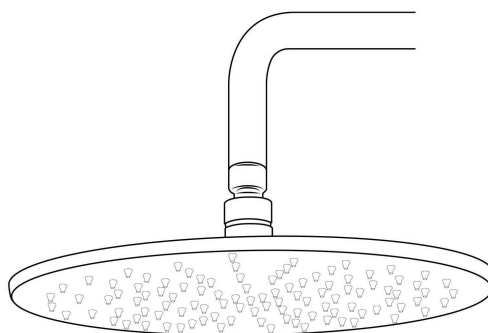
Step 6:



Step 7:



Step 8:

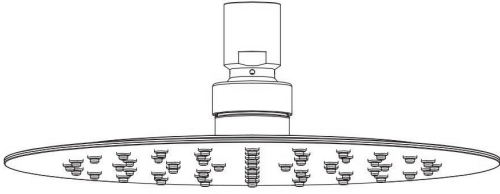


1. Remove The Old Shower Head By Using The Channel Lock Pliers Or Monkey Wrench. Be Sure To Turn The Pliers Counter-Clockwise To Loosen The Old Shower Head. (Tip: Right Is Tight, Left Is Loose.)
2. Remove The Shower Arm By Turning It By Hand Counter-Clockwise. Make Sure You Remember To Apply Putty Or Tape To The New Arm. (Tip: Using Teflon Tape Is Less Messy)
3. Apply Teflon Tape To The Threading Of The Shower Arm By Wrapping It Around The Threads, Go All The Way Around 3 Or 4 Times Depending On The Quality Of The Teflon Tape.
4. Install The New Shower Arm By Going Clockwise By Hand Until It Is Tight, Then Put Painters Tape Around The Arm And Tighten The Arm With The Channel Lock Or Monkey Wrench.
5. Place Teflon Tape Around The Threads On The Shower Head And Then Place The Shower Head Onto The Shower Arm By Turning The Shower Head Clockwise After The Shower Arm Is Already In The Wall.

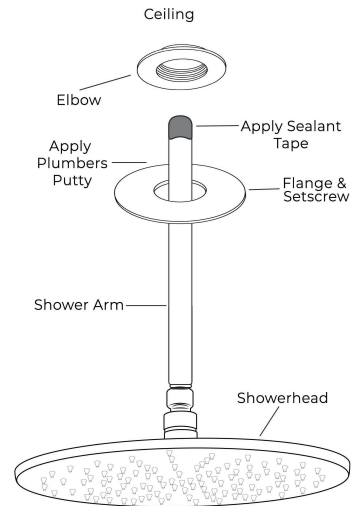
All dimensions and specifications are nominal and may vary. Use actual products for accuracy in critical situations.

Ceiling Mount Installation Instructions

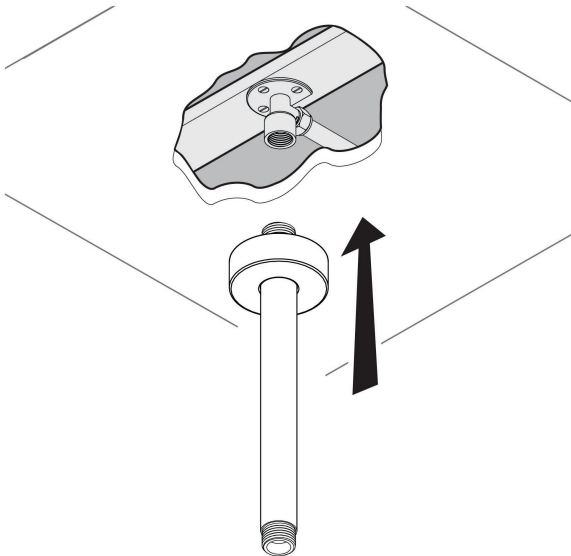
Step 1:



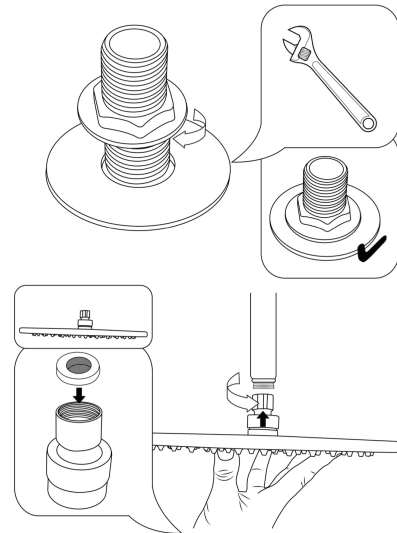
Step 2:



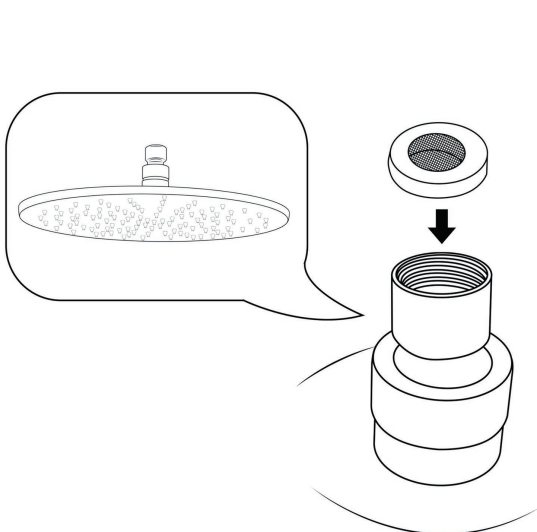
Step 3:



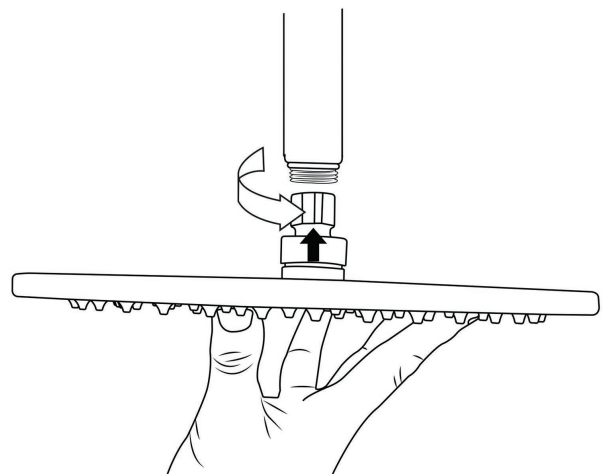
Step 4:



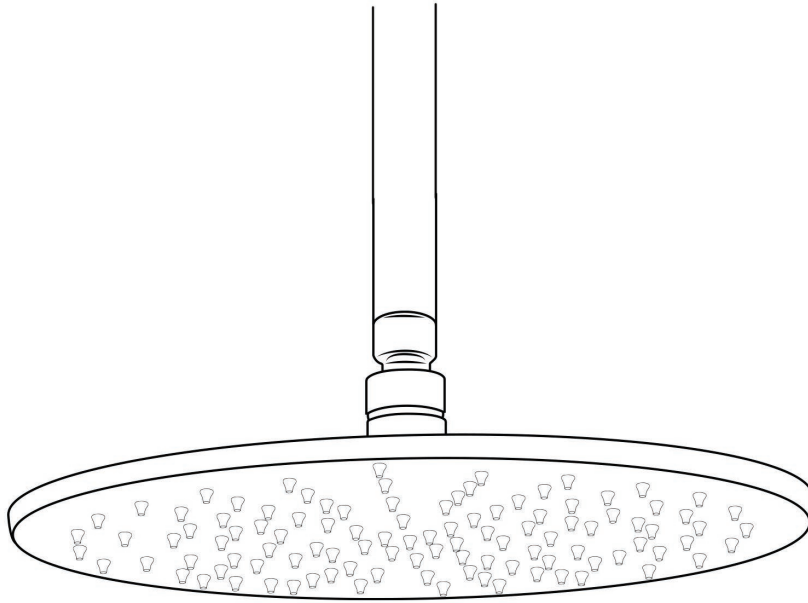
Step 5:



Step 6:



Step 7:



1. Remove the old shower head by using the channel lock pliers or monkey wrench. Be sure to turn the pliers counter-clockwise to loosen the old shower head. (Tip: Right is tight, left is loose.)
2. Remove the shower arm by turning it by hand counter-clockwise. Make sure you remember to apply putty or tape to the new arm. (Tip: Using teflon tape is less messy)
3. Apply teflon tape to the threading of the shower arm by wrapping it around the threads, go all the way around 3 or 4 times depending on the quality of the Teflon tape.
4. Install the new shower arm by going clockwise by hand until it is tight, then put painters tape around the arm and tighten the arm with the channel lock or monkey wrench.
5. Place Teflon tape around the threads on the shower head and then place the shower head onto the shower arm by turning the shower head clockwise after the shower arm is already in the wall.