

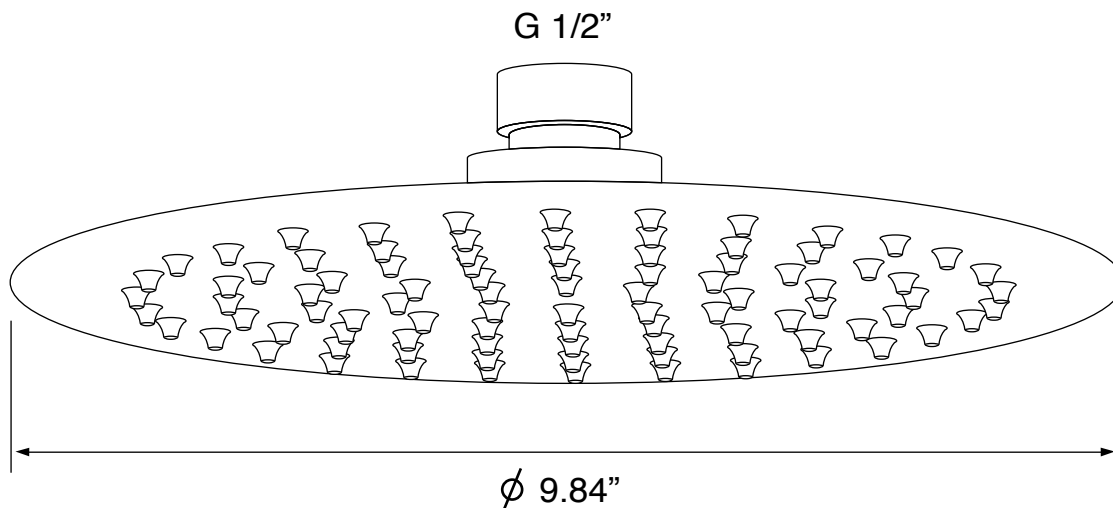
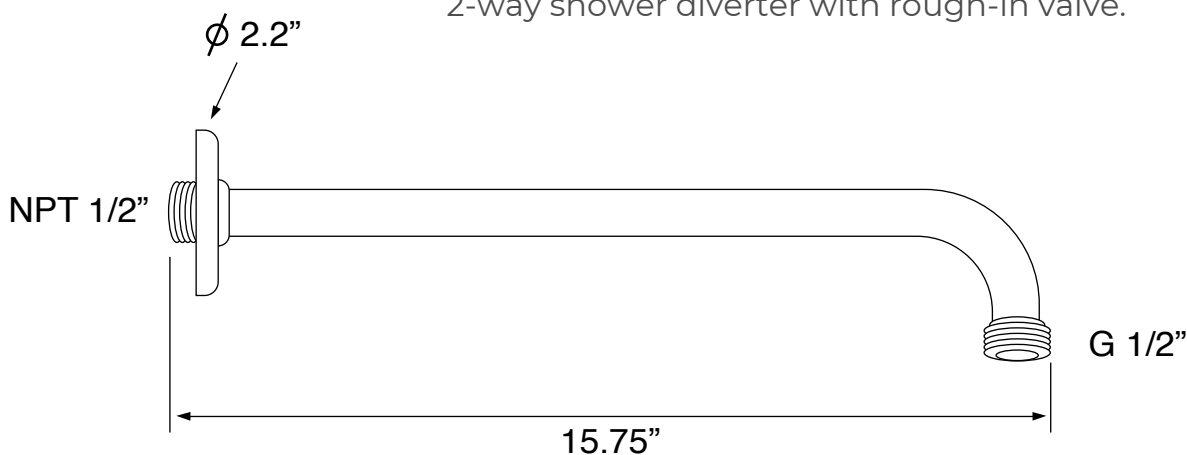
MATTE BLACK SHOWER SYSTEM WITH 10" RAIN SHOWER HEAD AND HAND SHOWER SPECIFICATIONS



Features

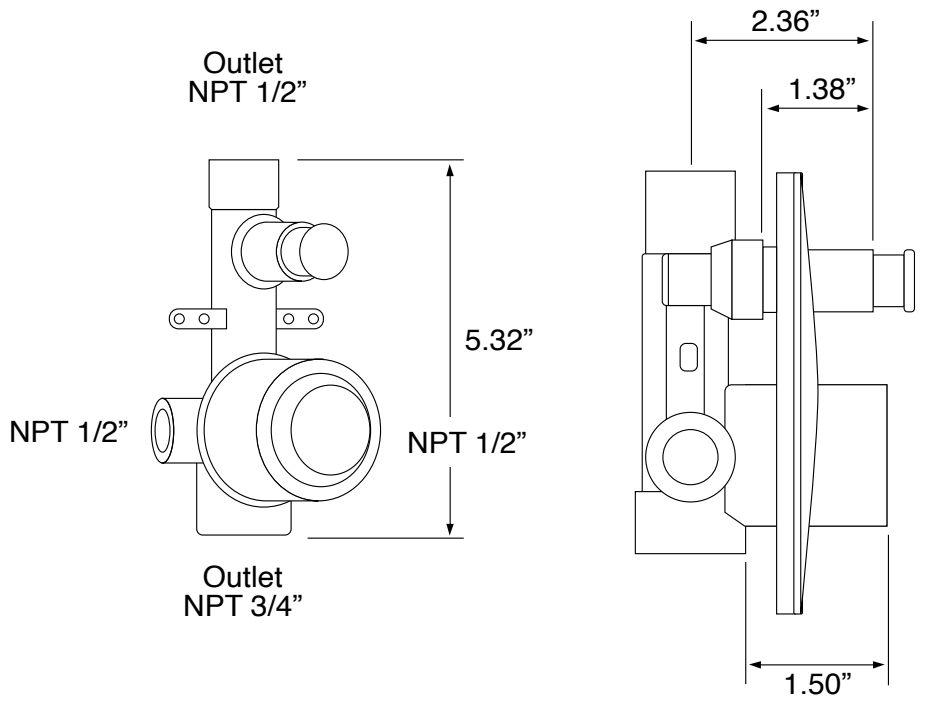
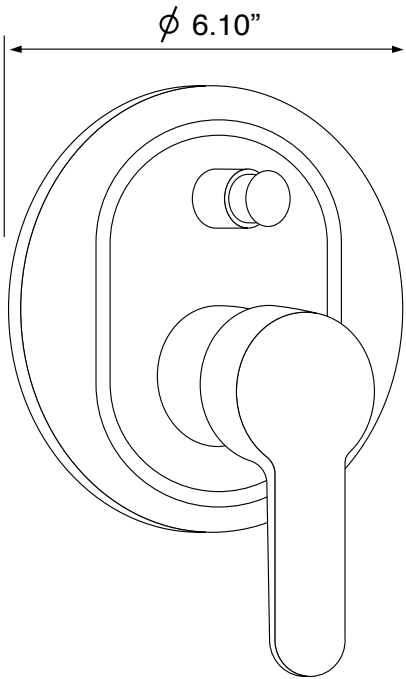
- Solid brass rough-in valve included.
- 10" rain shower head.
- 2-way concealed diverter (2 water outlets).
- Pressure balance cartridge.
- Ceramic disc technology.
- Sleek hand shower.
- Hand shower mounting bracket included.
- 1/2" NPT inlets and outlets (compatible with US plumbing connections)
- Wall mounted installation.
- 16" shower arm with flange.
- 10" rain shower head.
- 2-way shower diverter with rough-in valve.

Shower Head

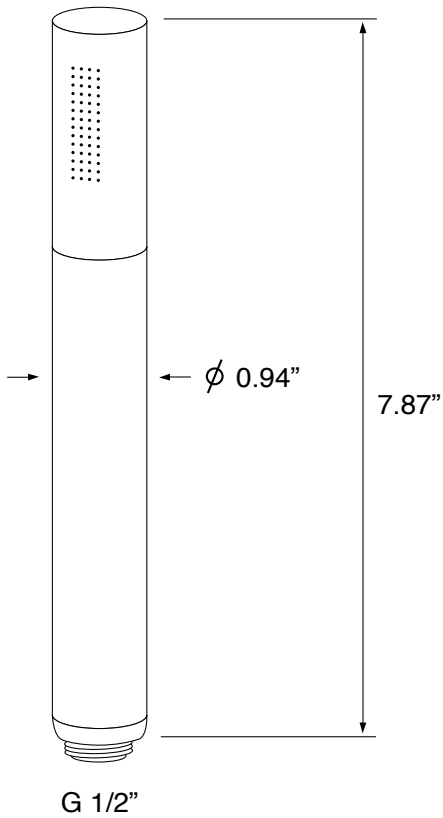


All dimensions and specifications are nominal and may vary. Use actual products for accuracy in critical situations.

Shower Mixer

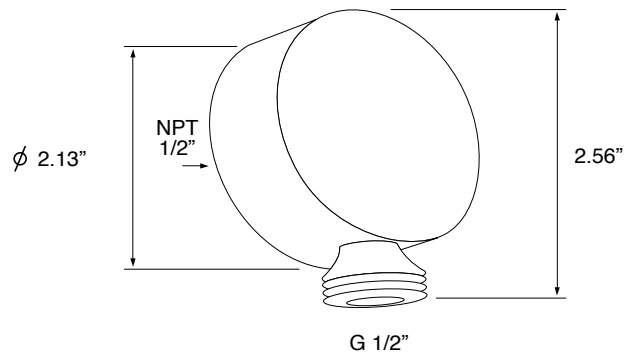


Hand Shower



Flow Rate: 2.0 GPM / 7.6 LPM

Water Connection



Shower Bracket

