

## RECTANGULAR RESIN COUNTER TOP SINK COLORFUL WASH SINK INSTALLATION INSTRUCTIONS



### PRIOR TO INSTALLATION

Please read installation instructions below. All plumbing should be installed in accordance with applicable building codes and regulations.

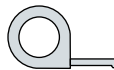
Unpack and inspect the items for any shipping damages. If you find damages, do not install.

All products must be installed by a professional and certified plumber otherwise warranty may be voided.

### POSSIBLE TOOLS REQUIRED\*



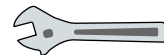
Plumbers Tape



Tape Measure



Level



Adjustable Wrench



Hex Wrench



Thread Sealant



Drill



Pencil or Marker



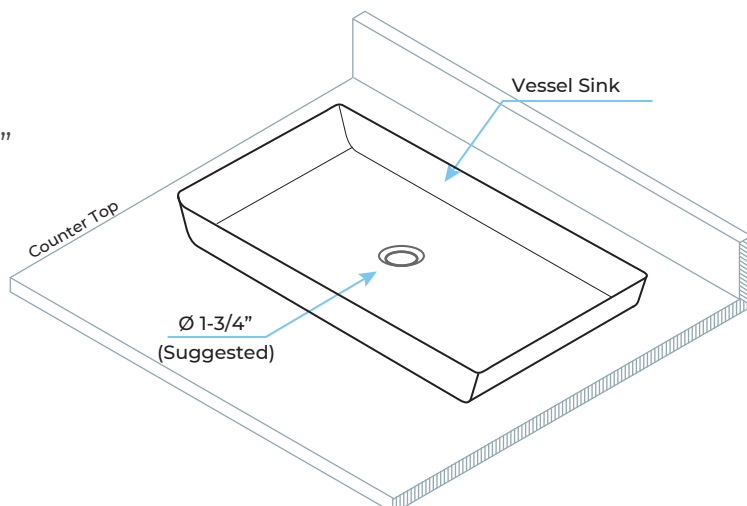
Screwdriver

\*not included

## Vessel Sink Installation Instructions

Step 1: Prepare counter top and drill a 1-3/4" hole for the drain at the preferred position.

Step 2: Then place the vessel sink on the mounting ring or counter top as shown here.



## Pop Up Drain & Mounting Ring Installation (If Included)

Step 1: Place the mounting ring over the drain hole with O-ring rubber base side facing down and the white rubber washer side facing up and then gently set your sink on the top of the mounting ring.

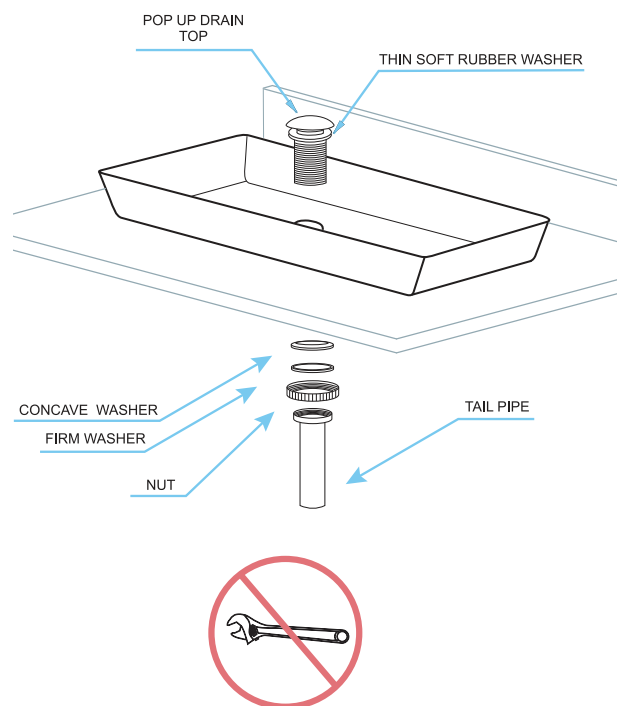
Step 2: From above the counter top, insert the drain piece with the thin silicone washer into 1-3/4" drain opening of your sink.

Step 3: From underneath the counter top, insert thick silicone washer into the drain piece pushing the washer all the way up until it is in contact with the counter top.

Step 4: Insert the hard washer onto the drain piece until it comes into contact with the thick silicone washer.

Step 5: Screw and tighten the drain nut onto the drain piece until it touches the hard washer.

Step 6: Screw and tighten the tail piece onto the drain piece.



**DO NOT OVER TIGHTEN THE DRAIN!**

