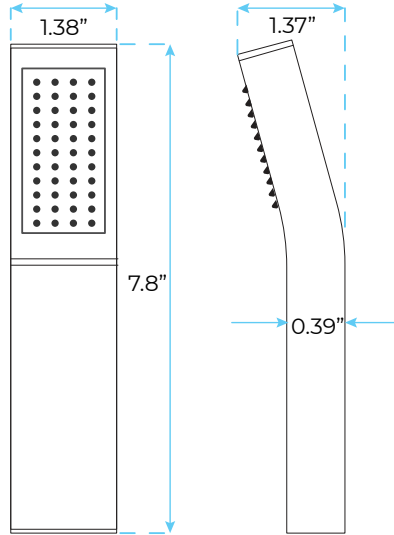


Fontana Lima LED Ultra Shower Set in Matte Black Finish Specifications



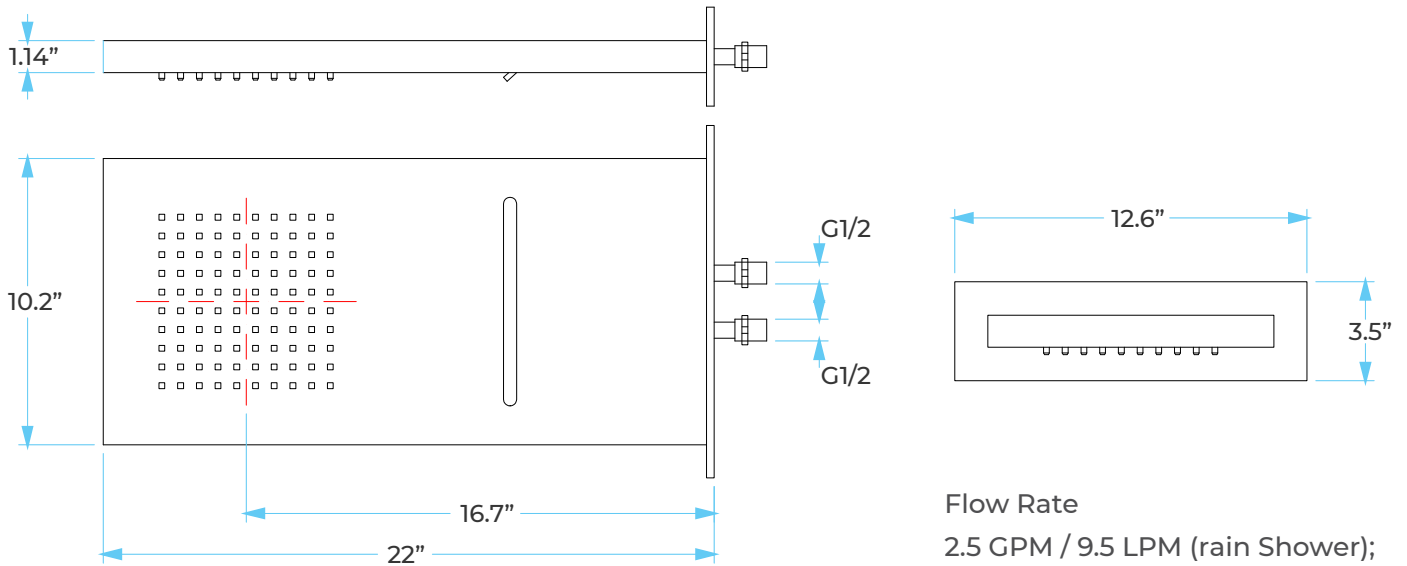
Hand Shower



The minimum required water pressure is 0.05 MPa (0.5 bar).

Flow rate 2.5 GPM (9.5 LPM).

Shower Head



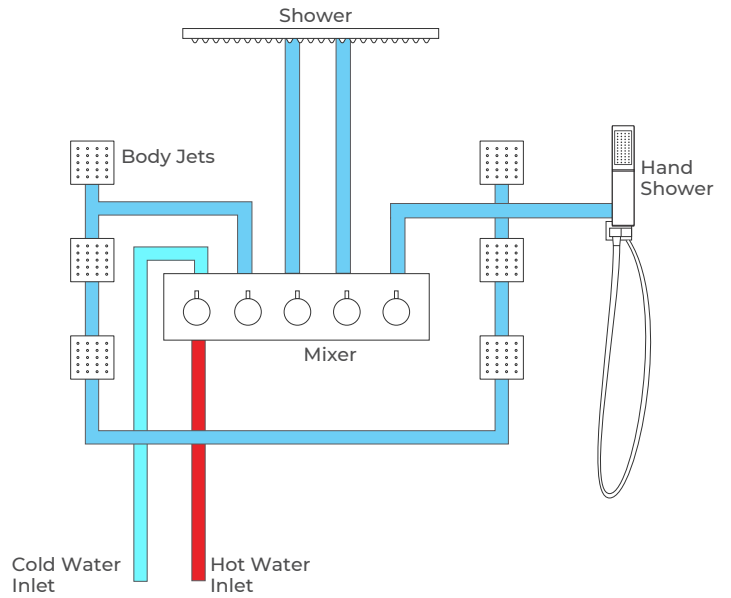
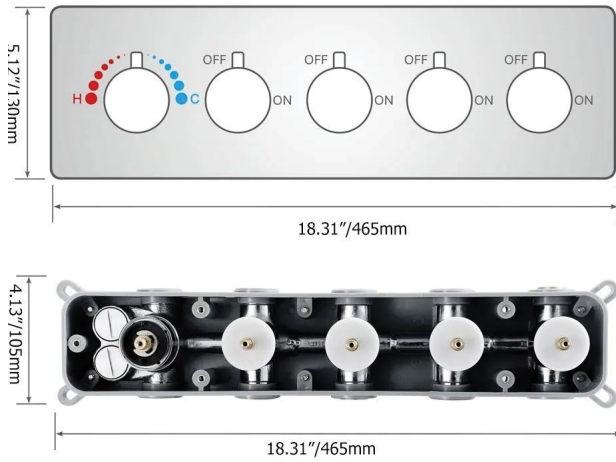
Flow Rate
2.5 GPM / 9.5 LPM (rain Shower);

The LED light will change its color by detecting water temperature:

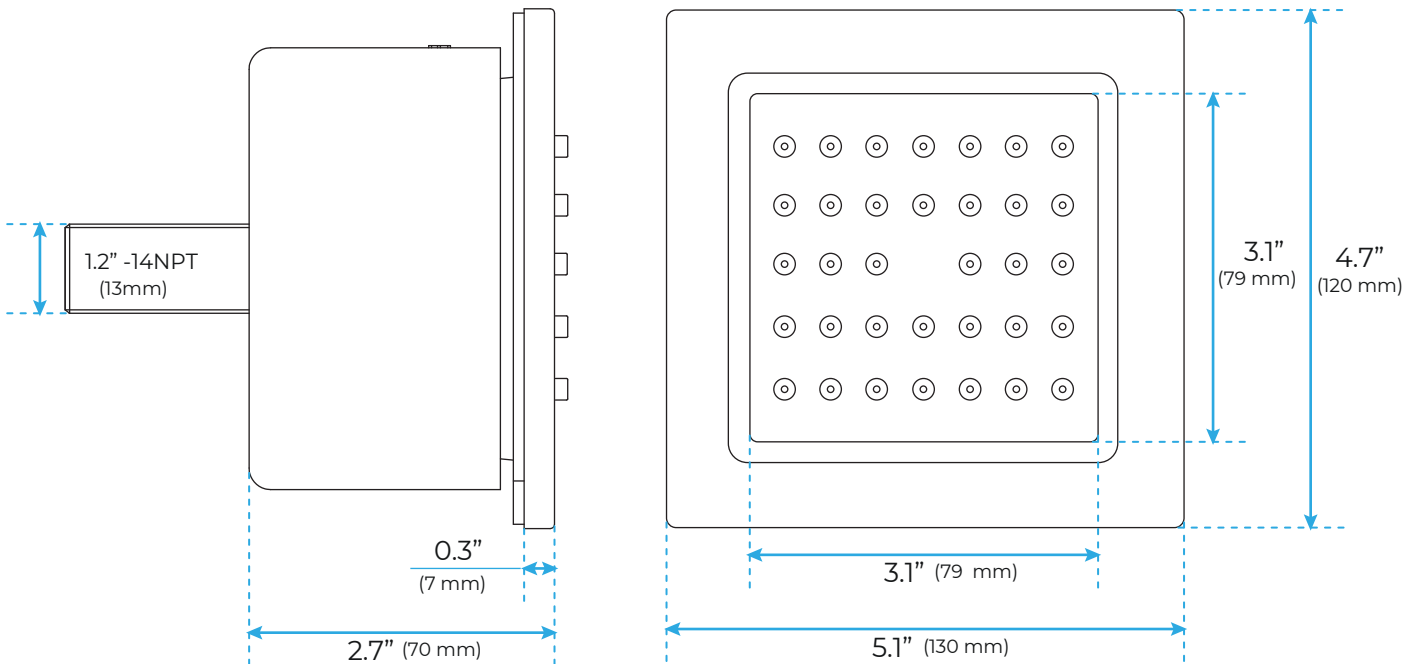
- 0-30°C (32-86°F): Blue LED
- 30-40°C (86-104°F): Green LED
- 40-50°C (104-122°F): Red LED
- 50-100°C (122-212°F): Flashing Red LED

Note: The LED lights are powered by water flow, and will be activated once the water is turned on.

Mixer



Shower Body Jets



FEATURES

- Material: Brass
- Assembly Required: No
- Base Plate Height: 5-1/8"
- Base Plate Width: 5-1/8"
- Jet Surface Area: 3-1/8"
- Surface Depth: 1/4"
- Adjustment Angle: 5°
- Male NPT Connection: 1/2"
- Maximum Flow Rate: 2.5 GPM (9.5L/min) max @ 80 psi