

# FONTANA CHICAGO SOLID SURFACE STONE RESIN FREESTANDING INDOOR BATHTUB INSTALLATION INSTRUCTIONS



## PRIOR TO INSTALLATION

Please read installation instructions below. All plumbing should be installed in accordance with applicable building codes and regulations.

Unpack and inspect the items for any shipping damages. If you find damages, do not install.

All products must be installed by a professional and certified plumber otherwise warranty may be voided.

## POSSIBLE TOOLS REQUIRED\*



Plumbers Tape



Tape Measure



Level



Adjustable Wrench



Hex Wrench



Thread Sealant



Drill



Pencil or Marker



Screwdriver

\*not included

## Technical Information

Dimensions: L 66" x W 29.5" x H 34.6" Inches

Weight: 160kg

Capacity: 278L

Thickness of the Solid Surface Stone: 27 mm

Shape: Oval

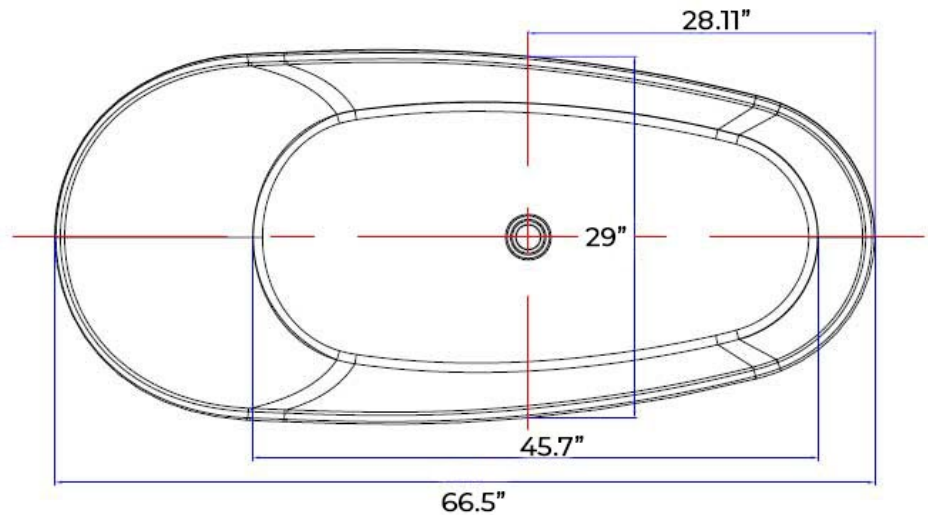
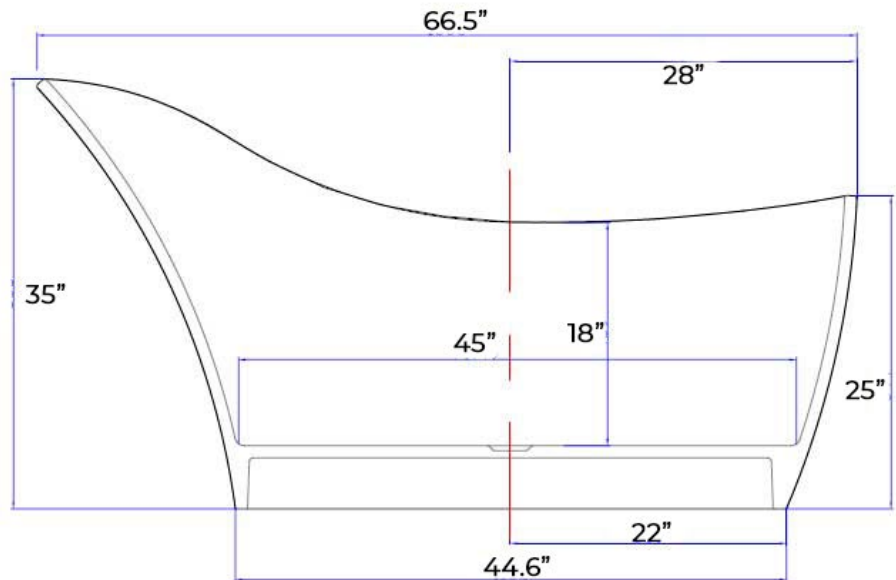
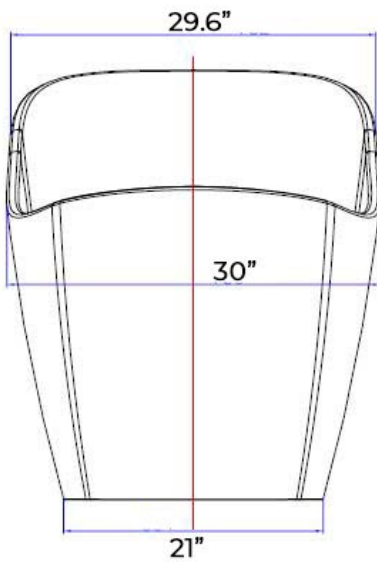
Style: Freestanding Slipper

Material: iStone Solid Surface

## Please Note:

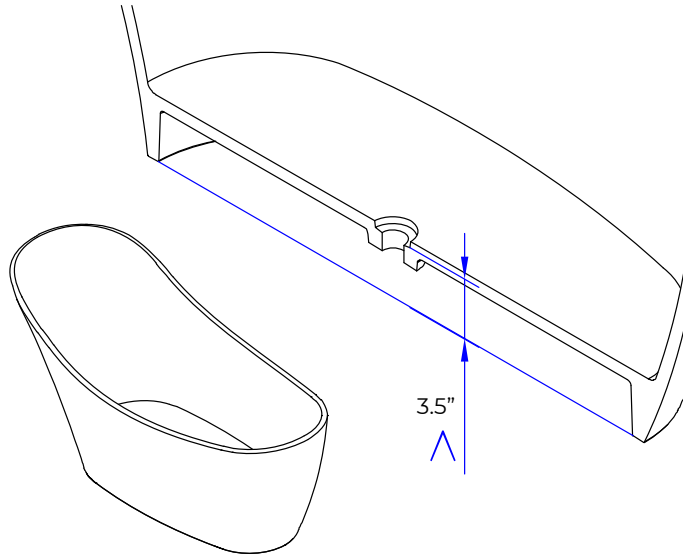
- A matte white stone pop up waste IS included
- Good back comfort
- High quality finish
- Durable & easy to clean
- Water-resistant & hard-wearing
- Environmentally friendly

## Size :

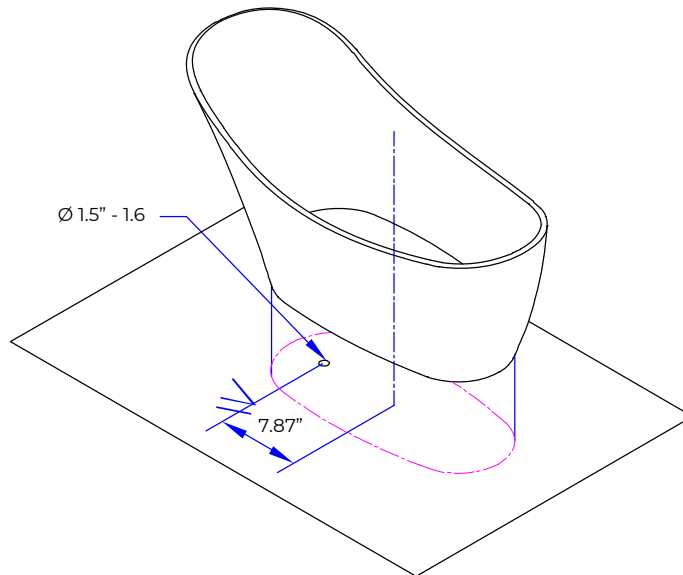


All dimensions and specifications are nominal and may vary. Use actual products for accuracy in critical situations.

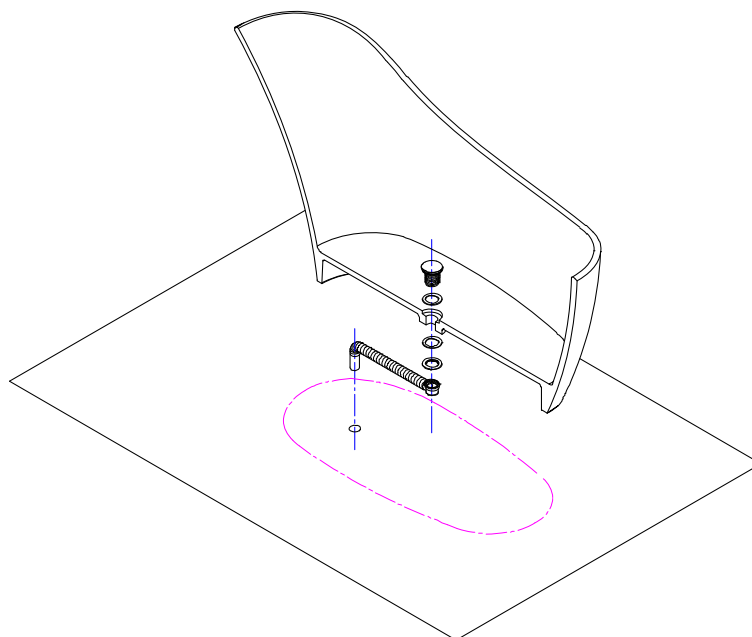
## Step 1:



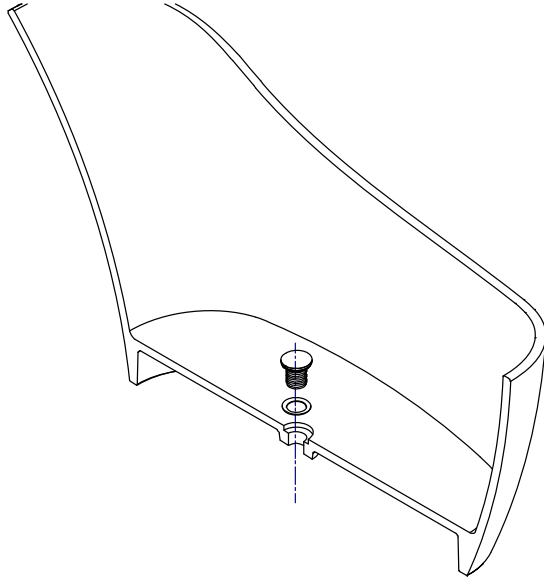
## Step 2:



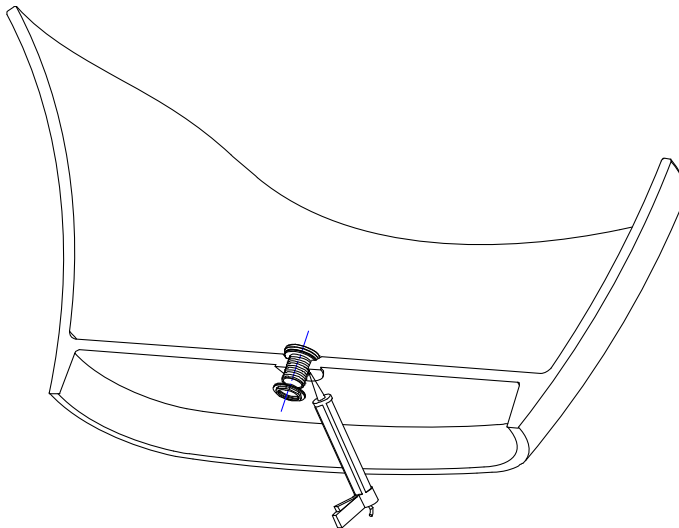
## Step 3:



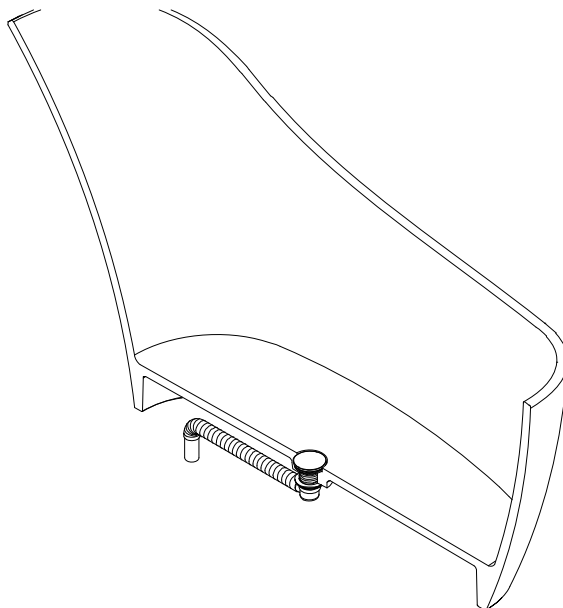
Step 4:



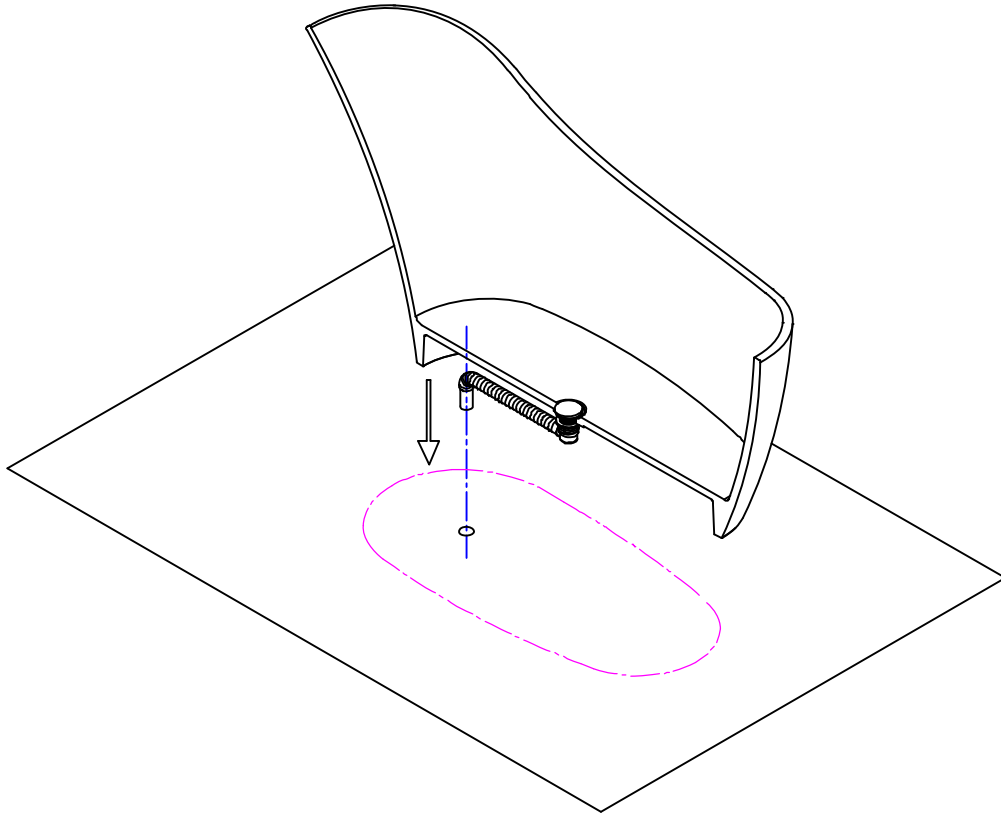
Step 5:



Step 6:



**Step 7:**



**Step 8:**

