

# FONTANASHOWERS BRUSHED NICKEL CEILING MOUNT RAINFALL DUAL SHOWER HEAD SET WITH HANDSHOWER INSTALLATION INSTRUCTIONS



## PRIOR TO INSTALLATION

Please read installation instructions below. All plumbing should be installed in accordance with applicable building codes and regulations.

Unpack and inspect the items for any shipping damages. If you find damages, do not install.

All products must be installed by a professional and certified plumber otherwise warranty may be voided.

## POSSIBLE TOOLS REQUIRED\*



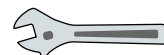
Plumbers Tape



Tape Measure



Level



Adjustable Wrench



Hex Wrench



Thread Sealant



Drill



Pencil or Marker

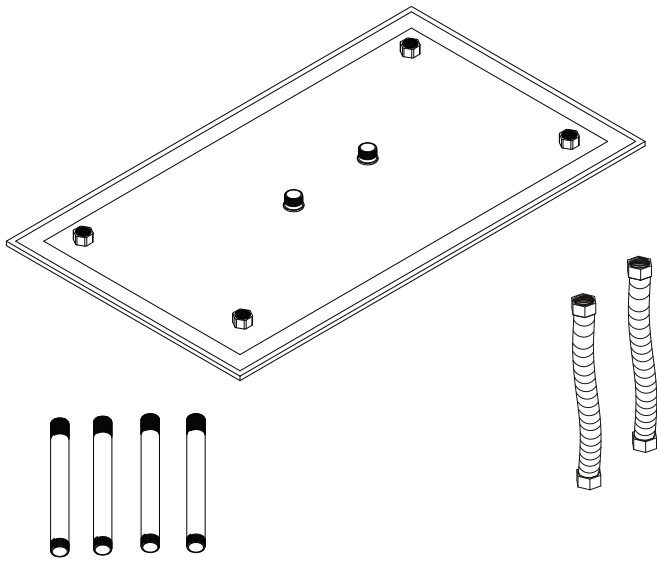


Screwdriver

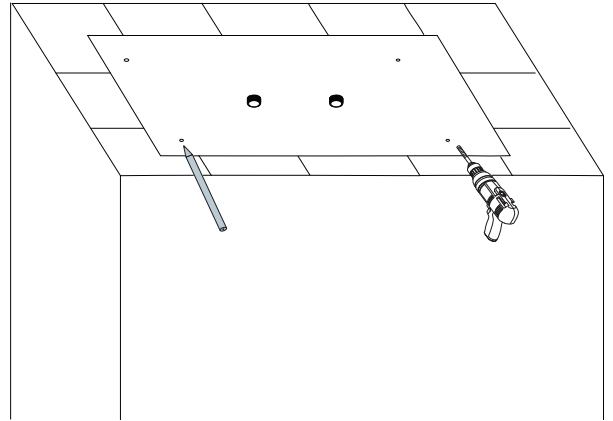
\*not included

## Shower Head Installations Instruction

### Parts:

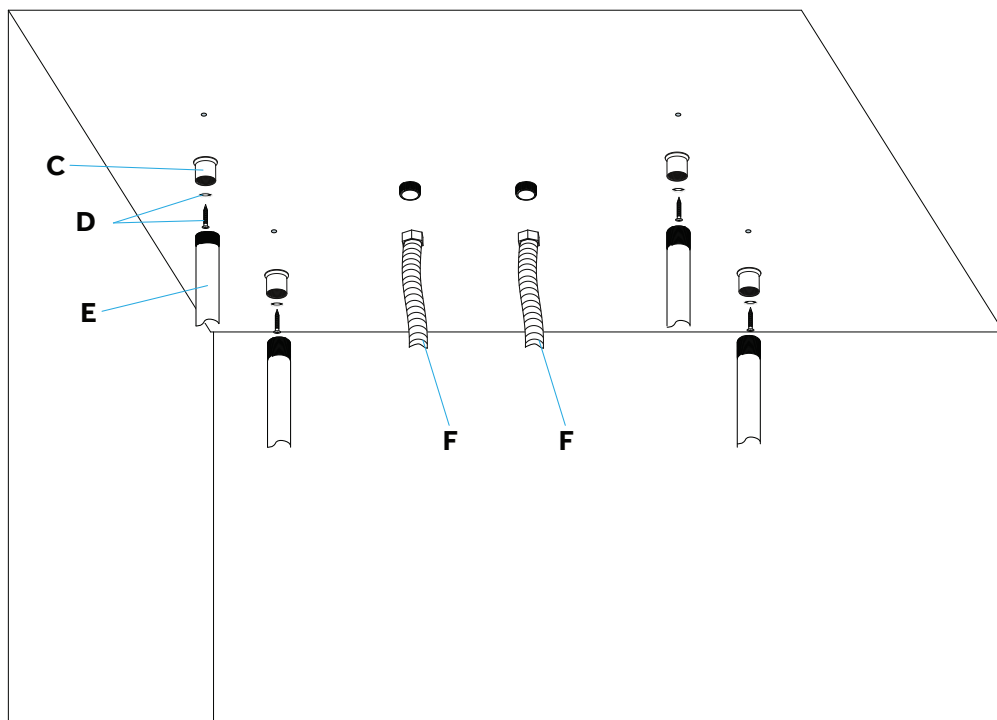


### Step 1:



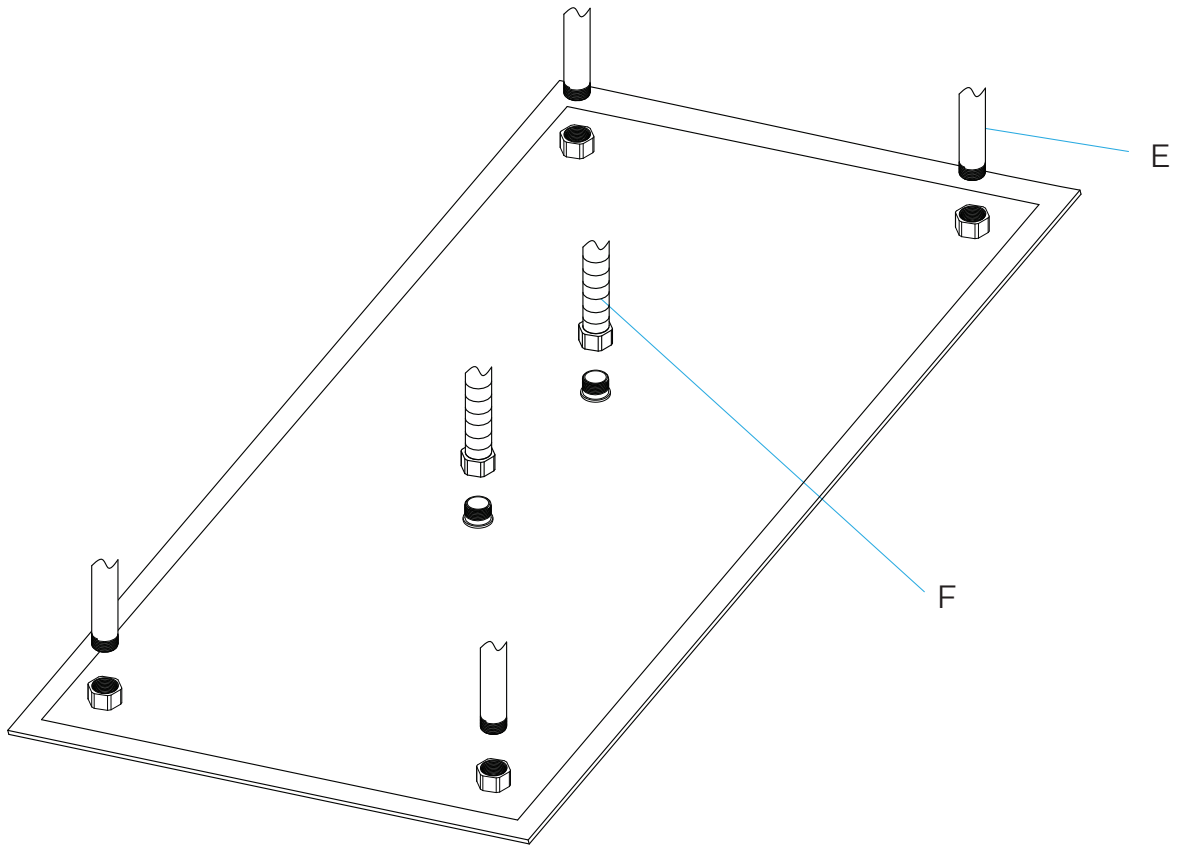
Mark the 4 drilling positions then use the Ø6mm drill to drill holes on the wall according to the marked hole position.

### Step 3:



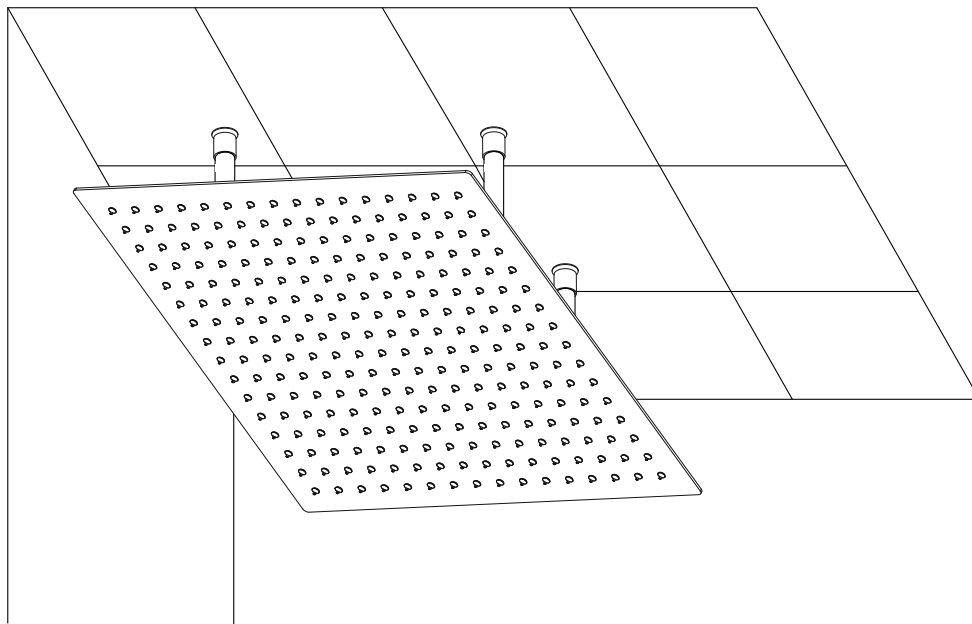
Inset the plug(D) into the hole, hold the fix base (C) use the tapping screw (D) through fix base(C) holes, tighten the tapping screw (D) tighten the top shower fixed bar(E) and the inlet hose (F) with the fix base (C)

## Step 5:



Fixed the top shower with the top shower fixed bar (E) , then connect with the inlet hose (F) . 2 Inlets for Rainshower are provided in big shower heads so the water disperses equally throughout the showerhead.

## Step 6:

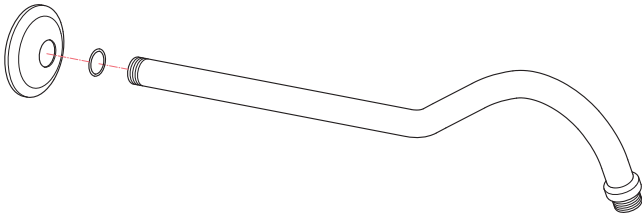


The installation is completed.

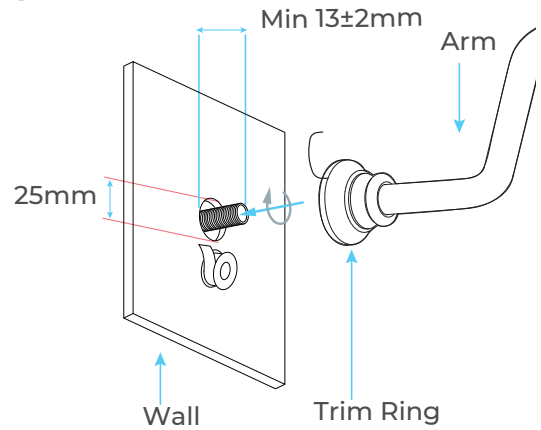
**Note:** The LED lights are powered by water flow, and will be activated once the water is turned on.

## Shower Head Installations Instruction

### Step 1:

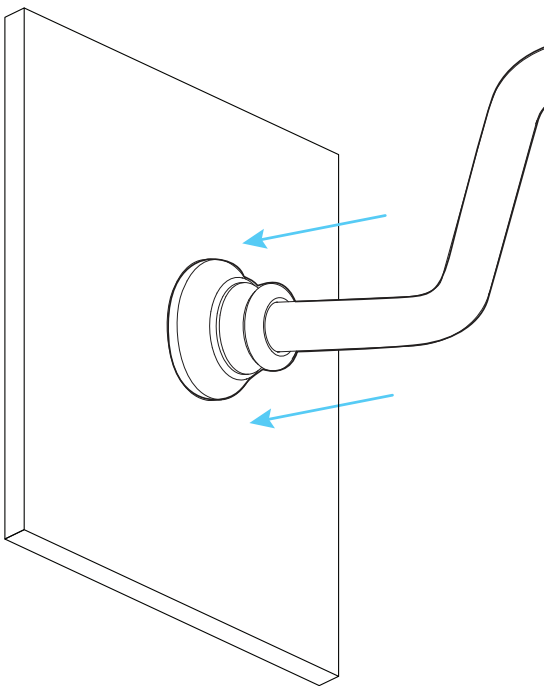


### Step 2:



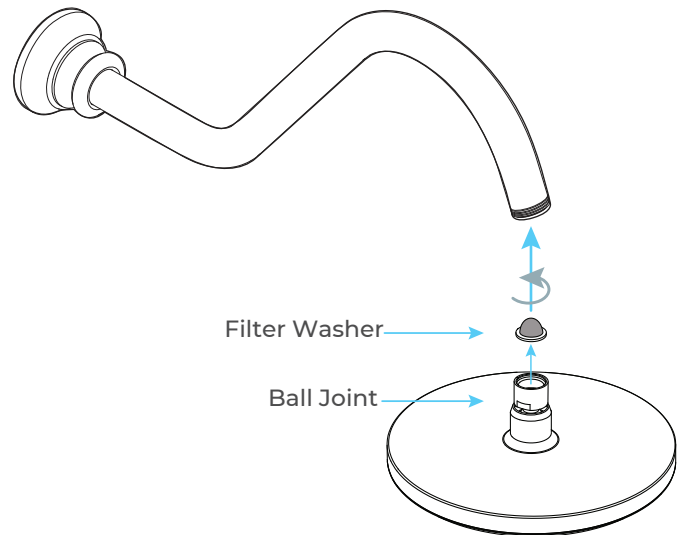
Slide chrome trim ring onto the appropriate end of the arm. Ensure that a minimum of 13±2mm of 1/2" connection thread protrudes past the finished wall. Simply screw the arm onto the connection. Correct water proofing must be applied.

### Step 3:



Position the arm vertically and push trim ring into place. Use wrenching flats to tighten.  
**DO NOT USE ARM TO LEVER**

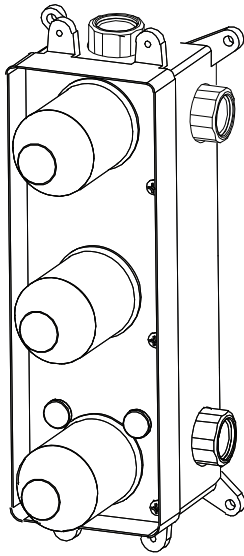
### Step 4:



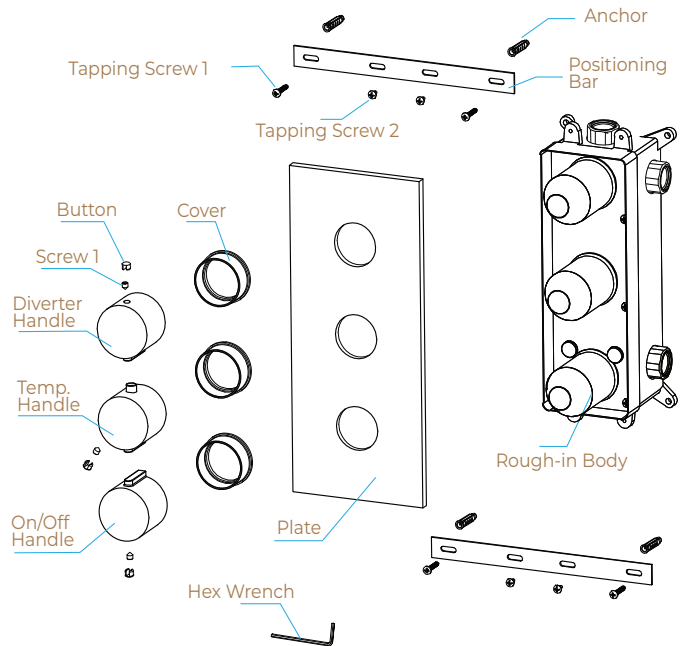
Remove the protective cap from the showerhead ball joint and screw the unit onto the overhead arm ensuring the filter washer is in place.

## Mixer Installations Instructions

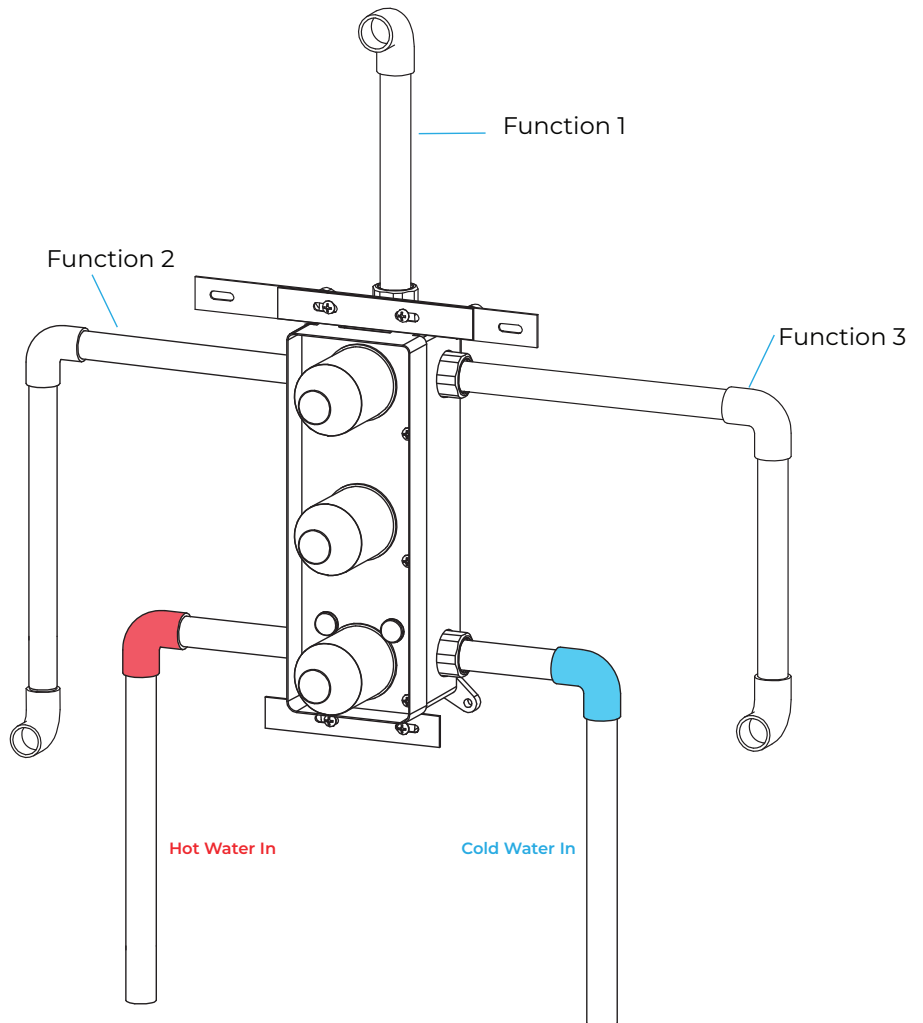
### Step 1



### Step 2



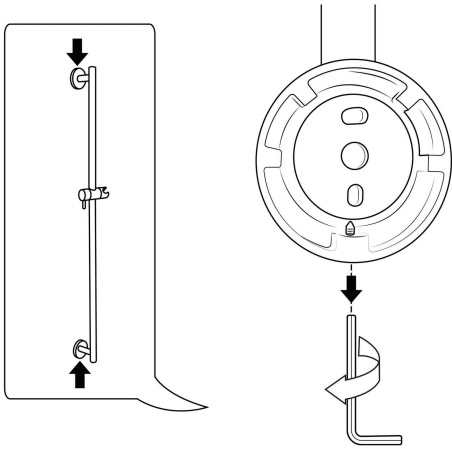
### Step 3 ( Connection )



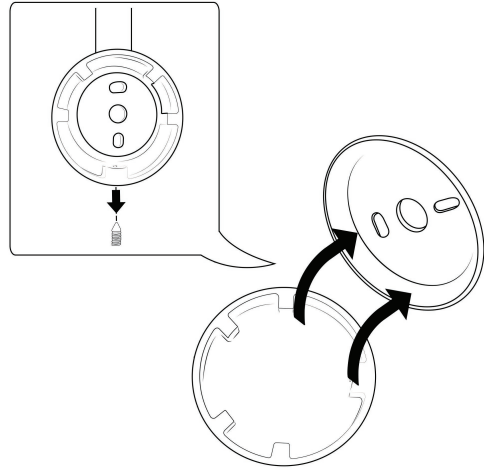
- Hot water
- Cold water

## Hand-Held Shower Installations Instructions

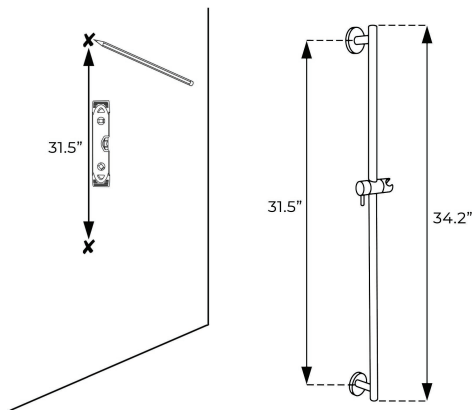
### Step 1



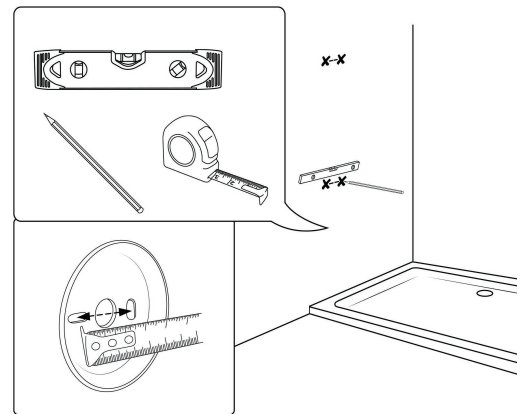
### Step 2



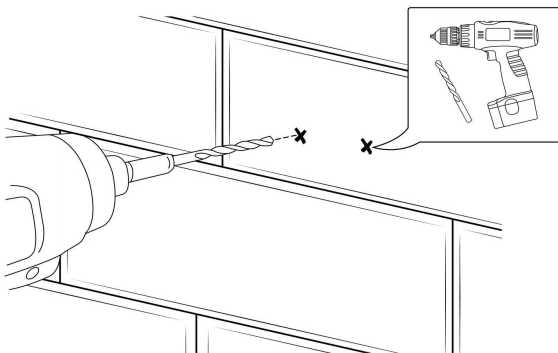
### Step 3



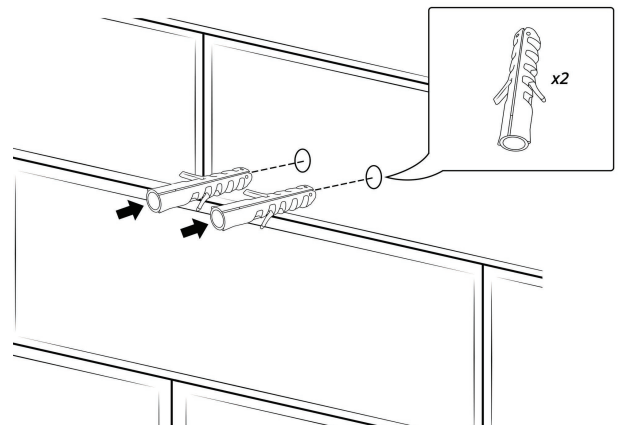
### Step 4



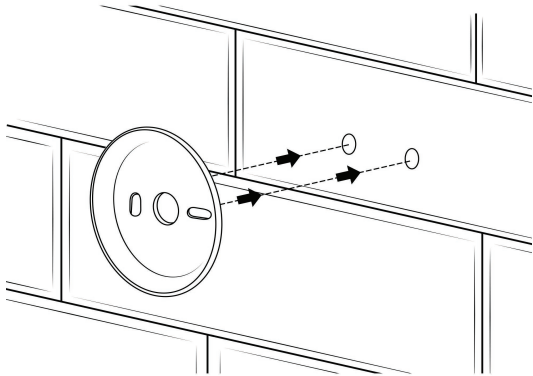
### Step 5



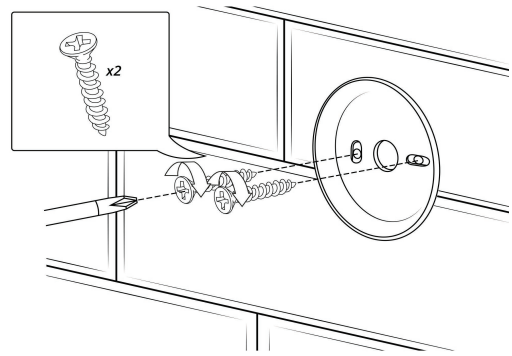
### Step 6



## Step 7

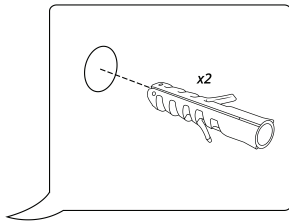


## Step 8



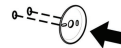
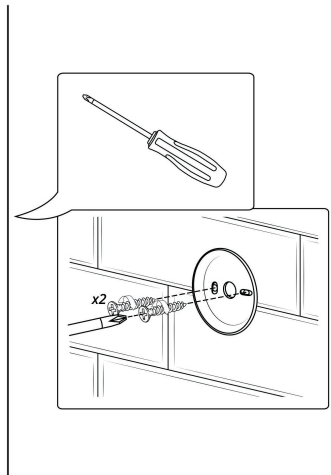
## Step 9

⑩

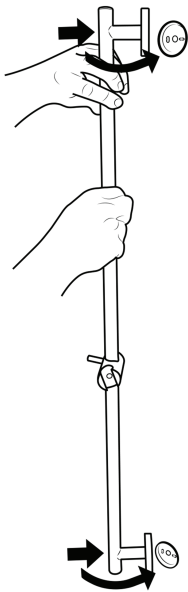


## Step 10

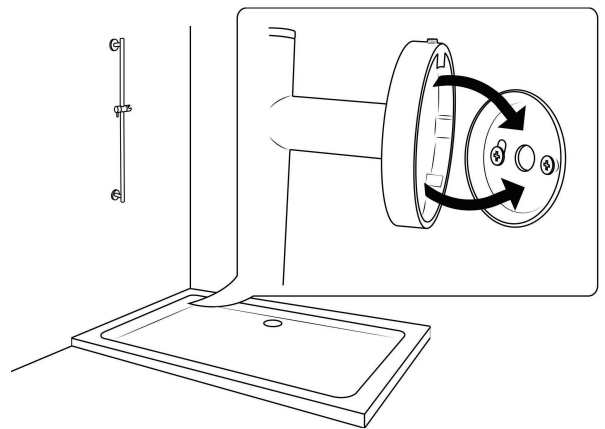
⑪



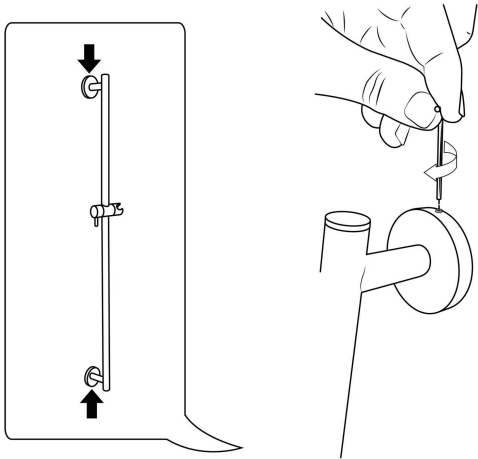
## Step 11



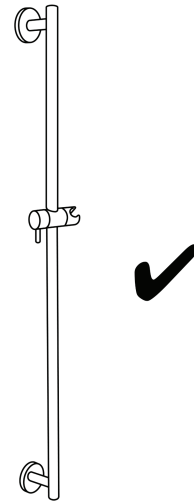
## Step 12



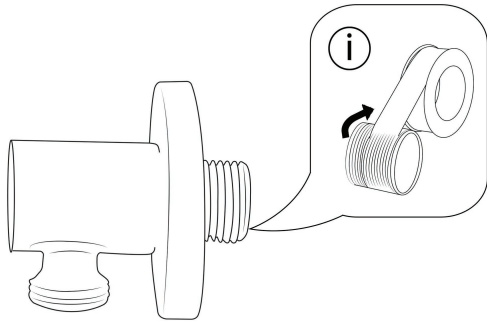
**Step 13**



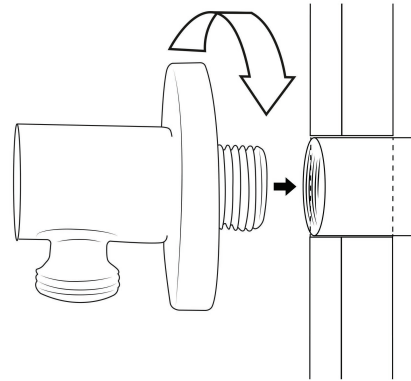
**Step 14**



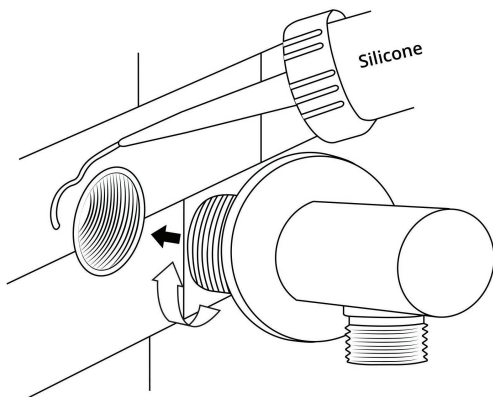
**Step 15: (Hand Shower Elbow Installation)**



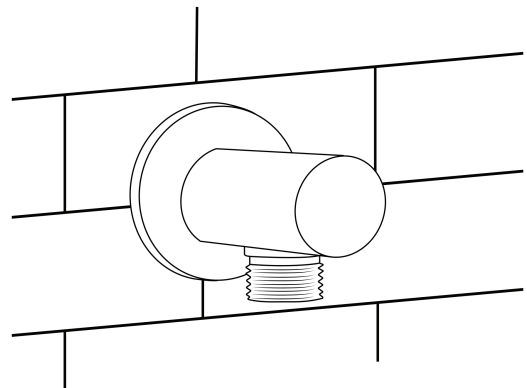
**Step 16**



**Step 17**

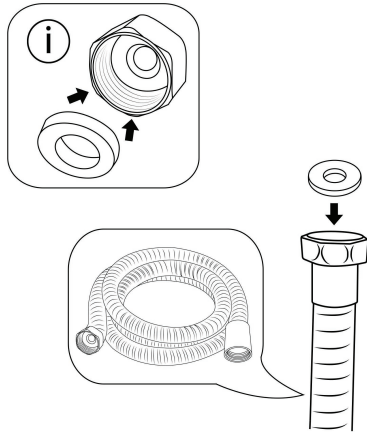


**Step 18**

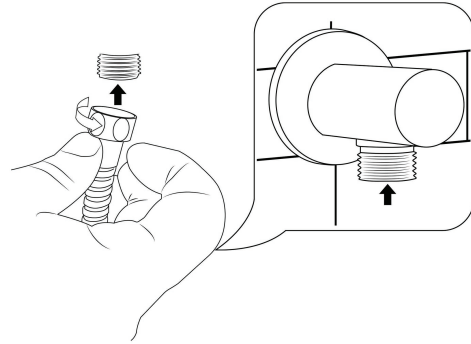




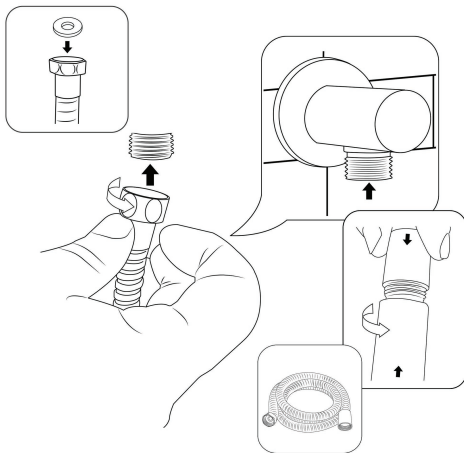
## Step 19



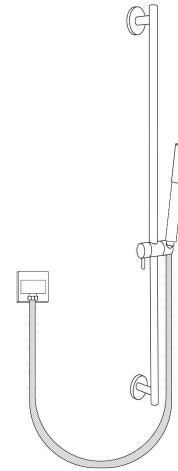
## Step 20



## Step 21



## Step 22



Open The Closed Cover Of The Shower Holder And Take Out The Screws.

Drill Two Holes Size 0.2" (6mm) On The Wall According To The Hole Position Of The Shower Holder

Use A Hammer To Break 2 Plastic Wall Plug Into Two Holes. Tighten The Screws With The Plastic Wall Plug And Locking With The Shower Holder.

Then Install The Closed Cover

Connect The Shower Hose With The Water Outlet Connection Part And Hand Shower. Plug The Hand Shower In The Shower Holder.

## General Information

All products manufactured and supplied by Fontana are safe and comply to legislative requirements. Providing they are installed correctly and receive regular maintenance in accordance with these instructions your user experience will not be affected

## Care & Cleaning

1. The product can be cleaned with warm water, a mild soap and a clean soft cloth.
2. Clean progressively and gently.
3. It is not required to use any abrasive cleaning pads, wire wool or cloths to clean the product.
4. Avoid a vigorous cleaning action, as this could contribute to denaturing and dulling
5. Abrasive or strong cleaning products containing ammonia, bleaches, alcohol, dyes, acids (hydrochloric, formic, phosphorus, chlorine or acetic) will be not be affected.
6. If using a spray cleaner, apply the cleaning agent onto a soft cloth, never directly spray onto the product as the cleaner may enter gaps and openings and cause damage. Do not allow the cleaner to remain on the product for a period of time. After cleaning, rinse thoroughly with clean water.

