

DIGITAL CONTROL DUAL SHOWER HEADS WITH HANDSHOWER SLIDE BAR INSTALLATION INSTRUCTIONS



PRIOR TO INSTALLATION

Please read installation instructions below. All plumbing should be installed in accordance with applicable building codes and regulations.

Unpack and inspect the items for any shipping damages. If you find damages, do not install.

All products must be installed by a professional and certified plumber otherwise warranty may be voided.

POSSIBLE TOOLS REQUIRED*



Plumbers Tape



Tape Measure



Level



Adjustable Wrench



Hex Wrench



Thread Sealant



Drill



Pencil or Marker

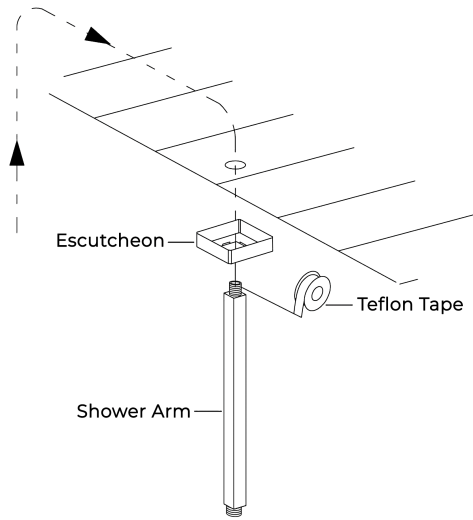


Screwdriver

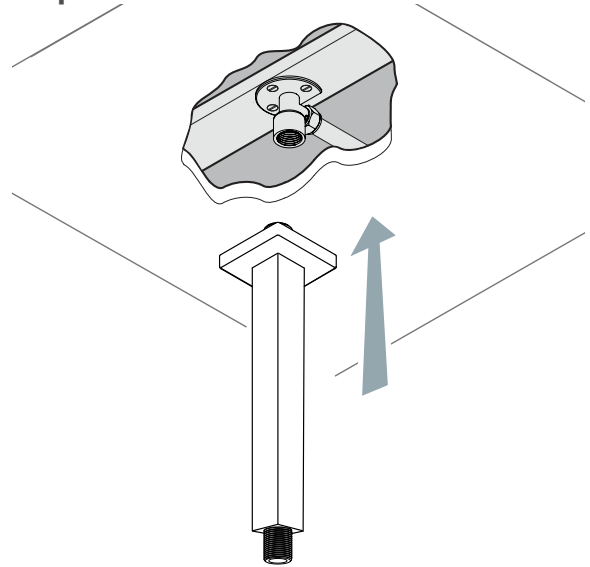
*not included

Ceiling Mount Shower Installations Instructions

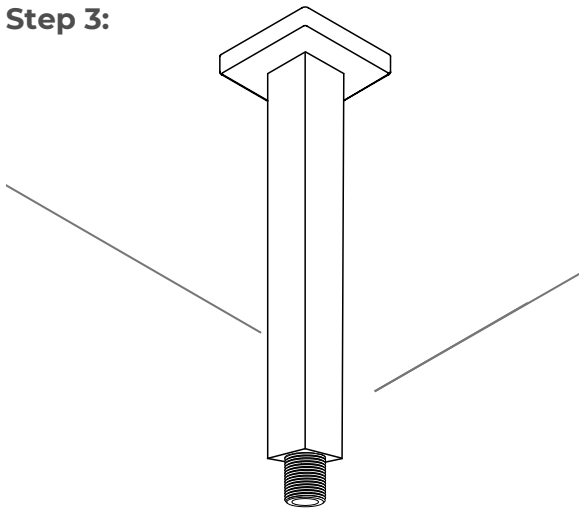
Step 1:



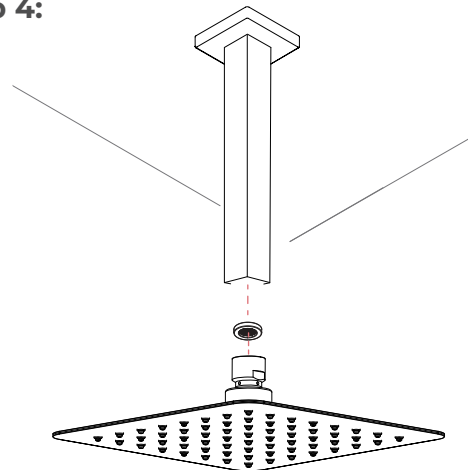
Step 2:



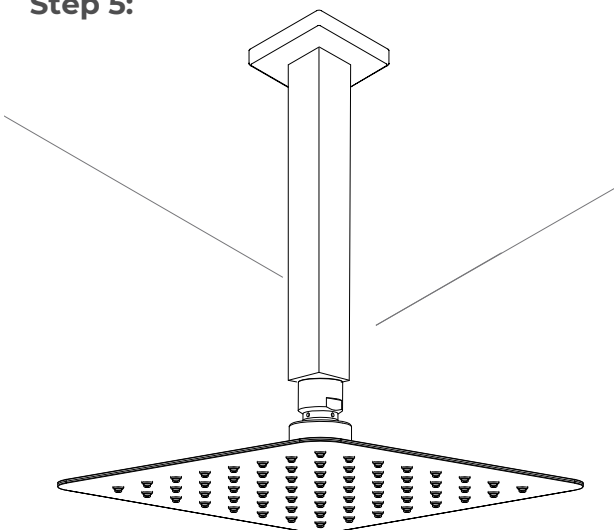
Step 3:



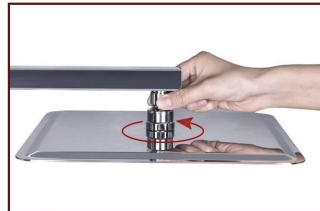
Step 4:



Step 5:



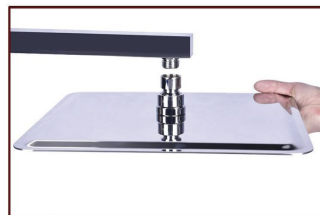
No tools required, G1/2" connector fits standard sized shower plumbing.



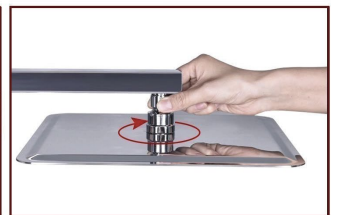
Use your hands counterclockwise to unscrew the old showerhead and removed it.



Take out the Hiendure Showerhead, make sure the shower filter is placed in the connector.



Ensure the showerhead full horizontal alignment wall mounted shower arm thread

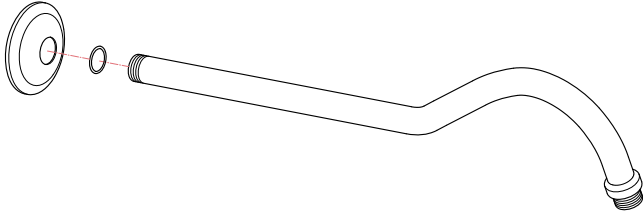


Use your heads clockwise to tighten showerhead.

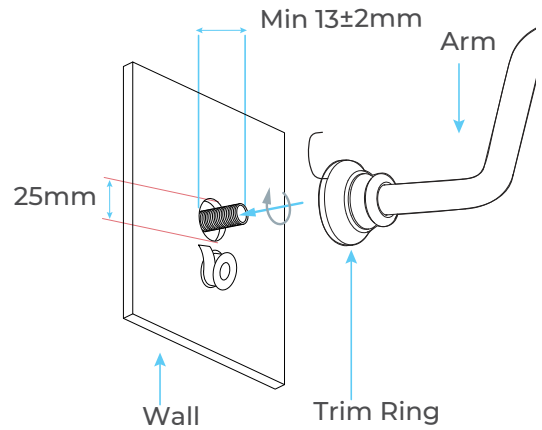
Product shown is only for installation display purpose

Shower Head Installations Instruction

Step 1:

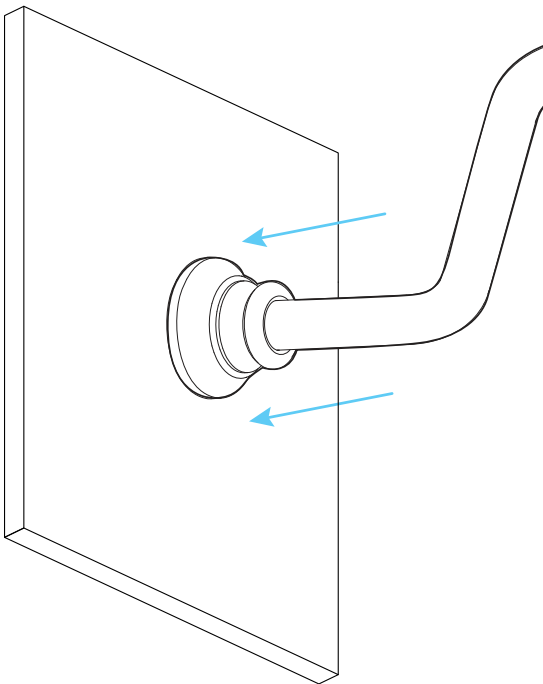


Step 2:



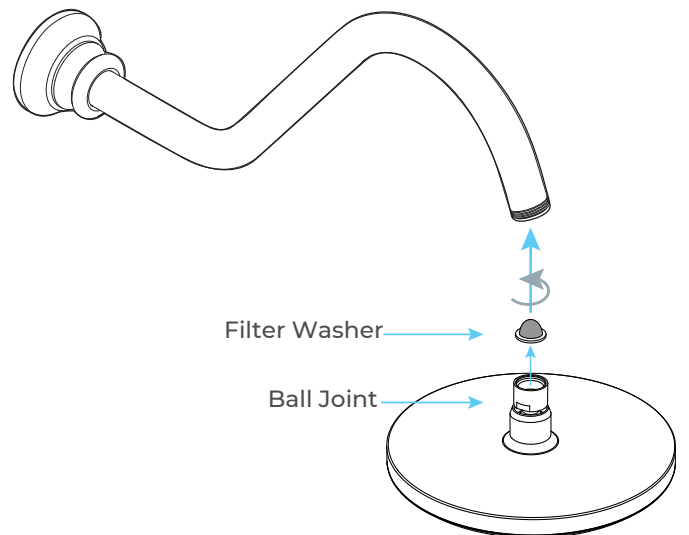
Slide chrome trim ring onto the appropriate end of the arm. Ensure that a minimum of 13±2mm of 1/2" connection thread protrudes past the finished wall. Simply screw the arm onto the connection. Correct water proofing must be applied.

Step 3:



Position the arm vertically and push trim ring into place. Use wrenching flats to tighten.
DO NOT USE ARM TO LEVER

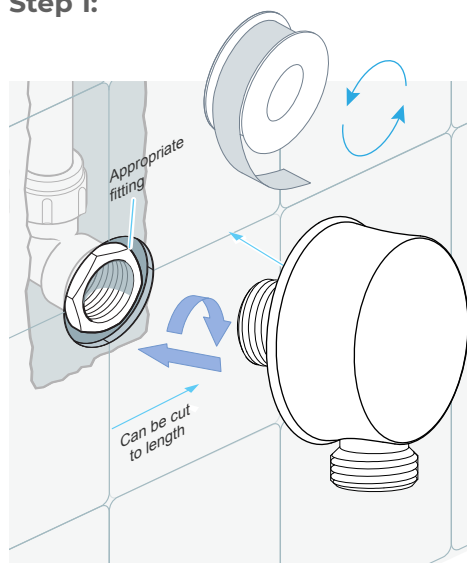
Step 4:



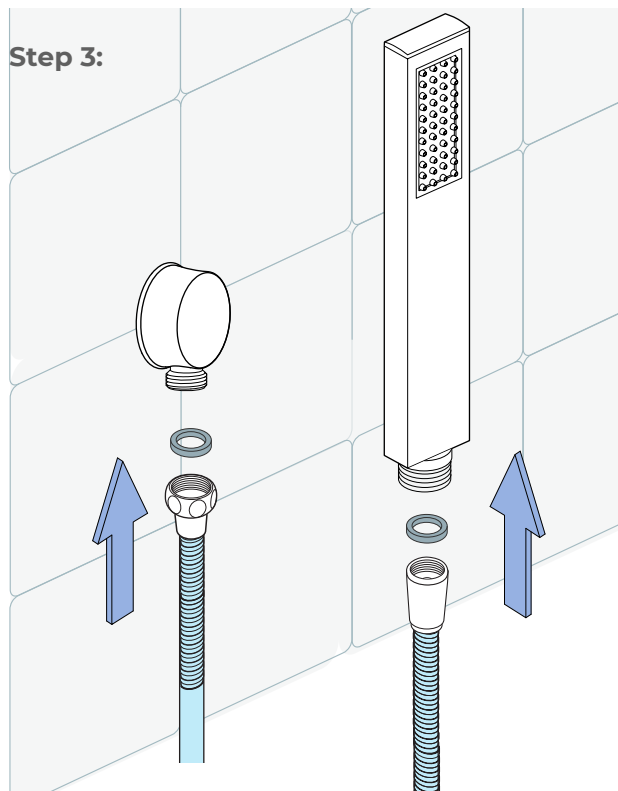
Remove the protective cap from the showerhead ball joint and screw the unit onto the overhead arm ensuring the filter washer is in place.

Hand Shower Installations Instruction

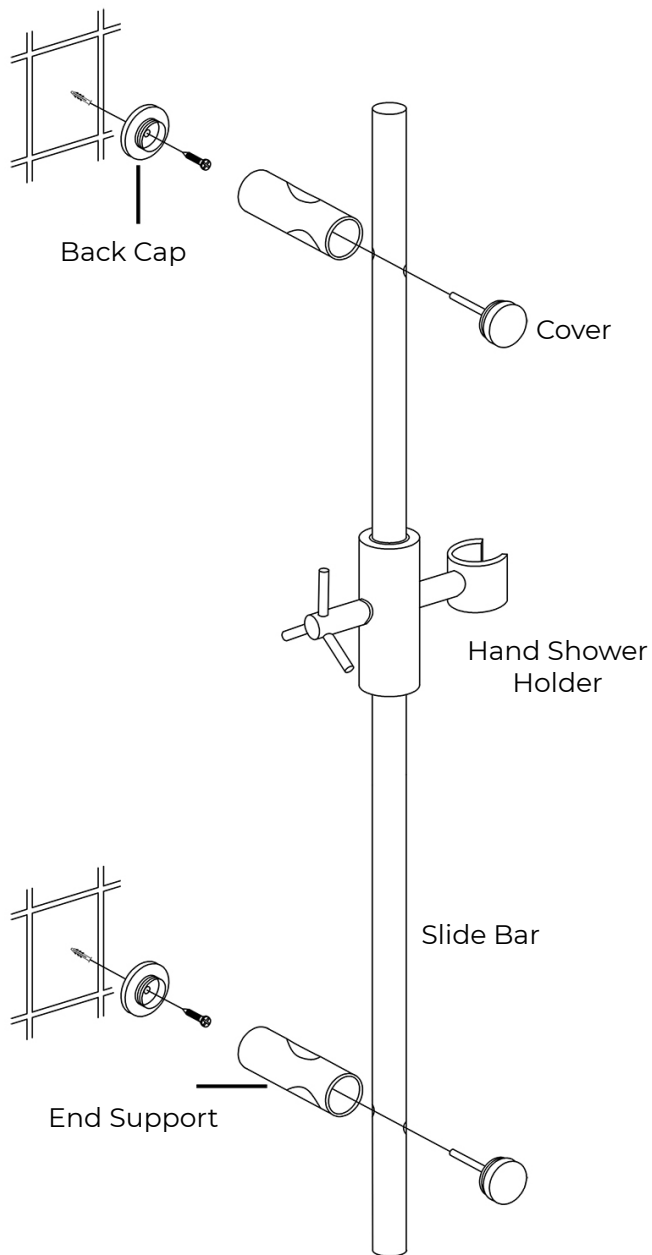
Step 1:



Step 3:



Step 2:



Hand Shower Outlet Installation

• Complete the outlet pipework ensuring it ends in an appropriate 15mm x 1/2" BSP female thread elbow.

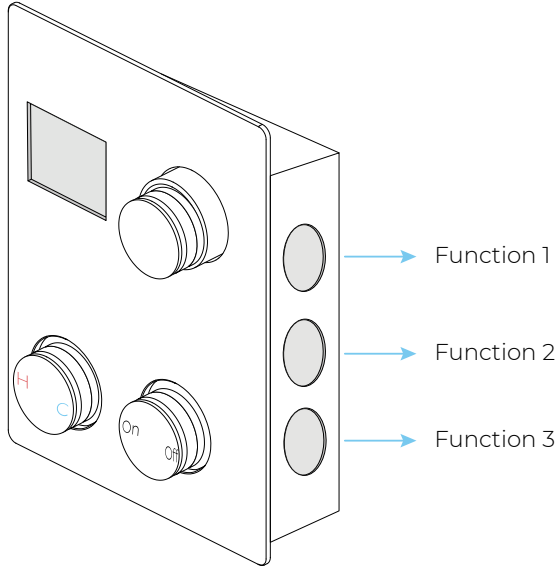
Note: This fitting is not supplied as variations in installations require the selection of a suitable solder or compression fitting.

• Install the 'Wall Outlet', thread long male 1/2" BSP into the appropriate female fitting using PTFE tape to give a watertight joint.

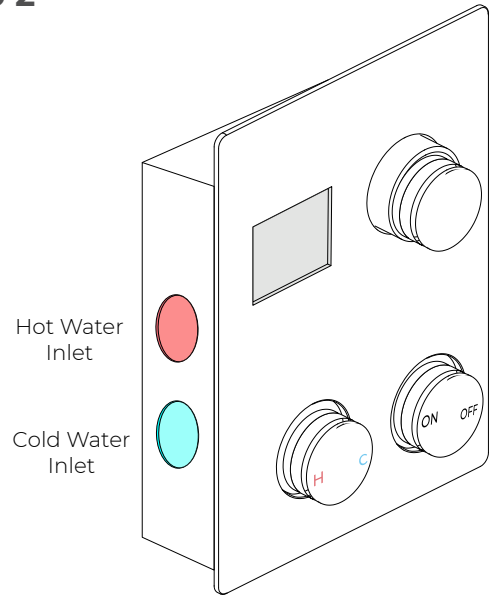
Note: The thread can be cut to size if required. Make sure that all debris is removed from the connector and the section that has been cut is dressed correctly, before installation.

Mixer Installations Instructions

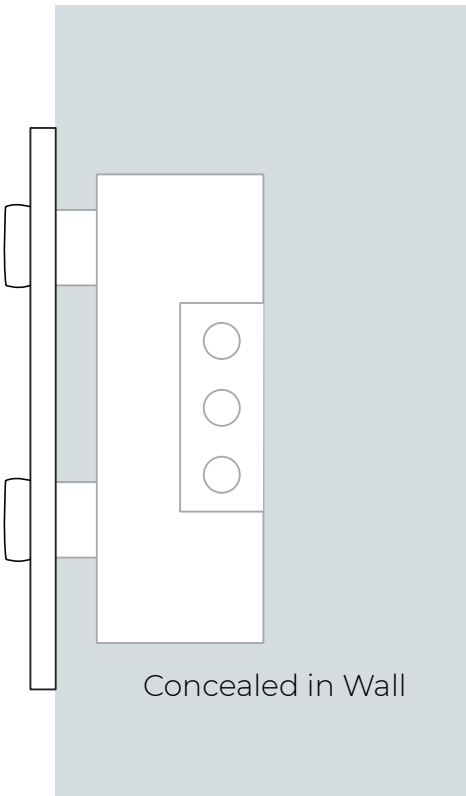
Step 1



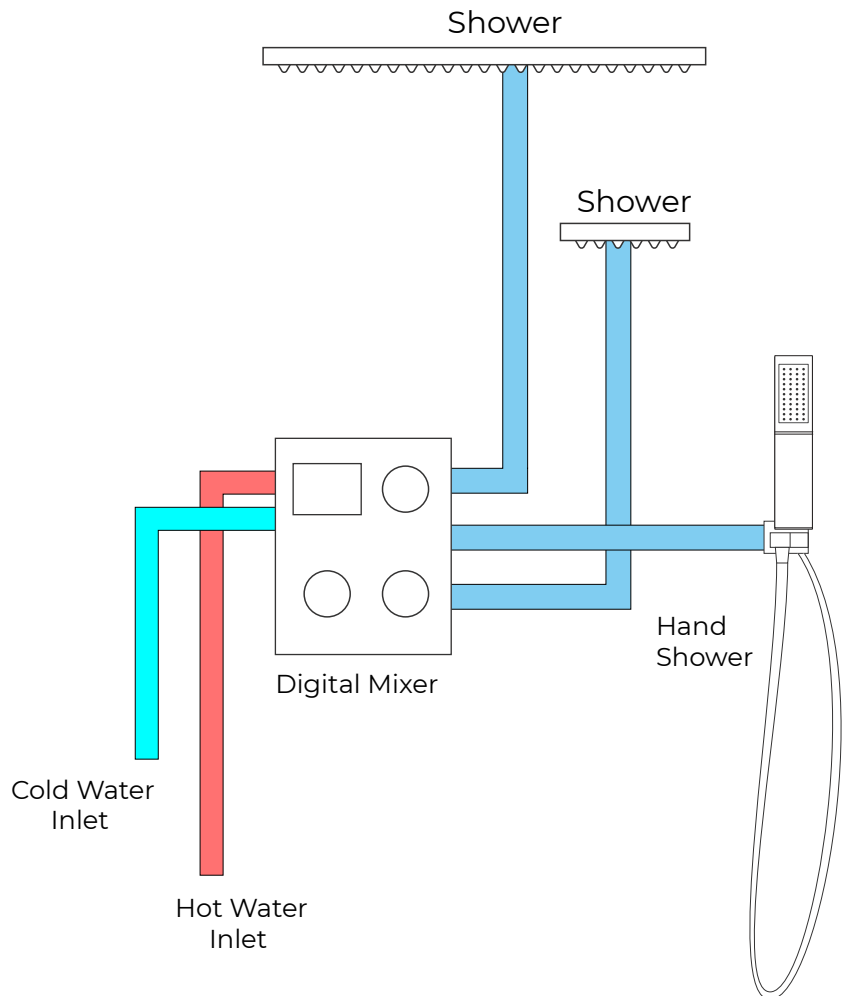
Step 2



Step 3



Step 4 (Connection)



General Information

All products manufactured and supplied by Fontana are safe and comply to legislative requirements. Providing they are installed correctly and receive regular maintenance in accordance with these instructions your user experience will not be affected.

Care & Cleaning

1. The product can be cleaned with warm water, a mild soap and a clean soft cloth.
2. Clean progressively and gently.
3. It is not required to use any abrasive cleaning pads, wire wool or cloths to clean the product.
4. Avoid a vigorous cleaning action, as this could contribute to denaturing and dulling
5. Abrasive or strong cleaning products containing ammonia, bleaches, alcohol, dyes, acids (hydrochloric, formic, phosphorus, chlorine or acetic) will be not be affected.
6. If using a spray cleaner, apply the cleaning agent onto a soft cloth, never directly spray onto the product as the cleaner may enter gaps and openings and cause damage. Do not allow the cleaner to remain on the product for a period of time. After cleaning, rinse thoroughly with clean water.

