

22" BRUSHED NICKEL WALL MOUNT WATERFALL RAINFALL SHOWER SYSTEM WITH HANDHELD SHOWER INSTALLATION INSTRUCTIONS



PRIOR TO INSTALLATION

Please read installation instructions below. All plumbing should be installed in accordance with applicable building codes and regulations.

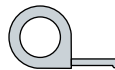
Unpack and inspect the items for any shipping damages. If you find damages, do not install.

All products must be installed by a professional and certified plumber otherwise warranty may be voided.

POSSIBLE TOOLS REQUIRED*



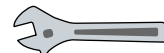
Plumbers Tape



Tape Measure



Level



Adjustable Wrench



Hex Wrench



Thread Sealant



Drill



Pencil or Marker

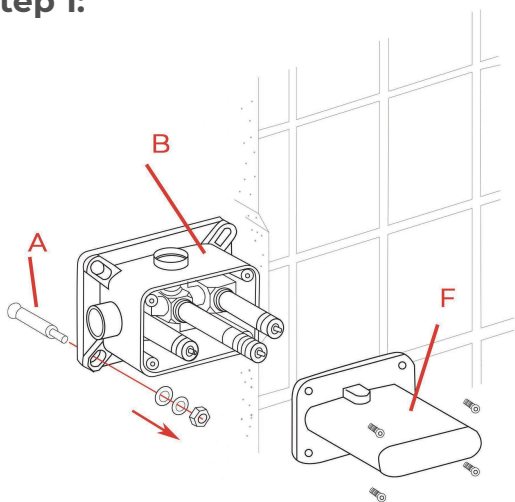


Screwdriver

*not included

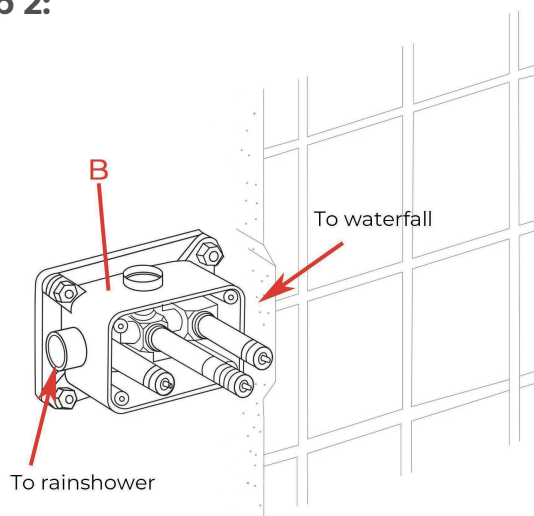
Shower Head with Embedded Box Installation Instructions

Step 1:



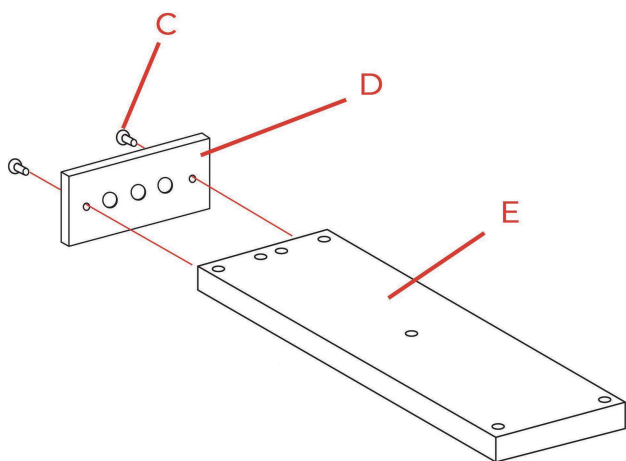
Remove the protective cover (F). Mark the positions and drill holes to suit the anchors (A). Install the anchors (A) and fix the rough-in valve (B) into the wall with screws. Use a level to ensure that the rough-in valve (B) is straight and level. (Important: Flush the water supply to remove any dirt and debris before installing the valve body).

Step 2:



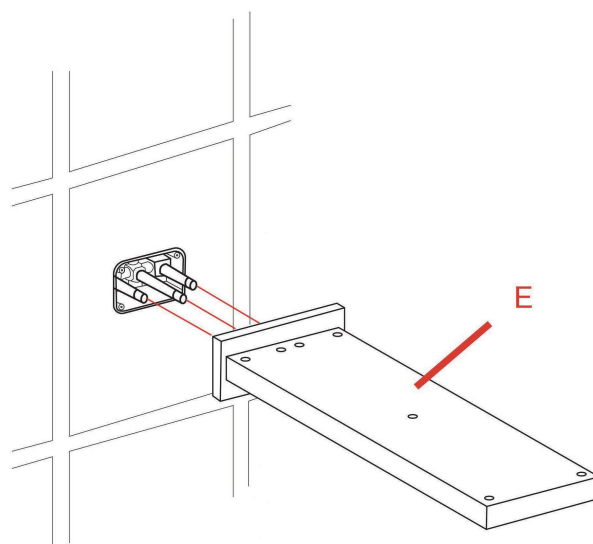
Wrap Teflon tape around the pipe threads and connect water supply lines and in-wall pipes (not included) as desired to the rough-in valve (B). Turn on the water supply and open the cartridge to check for leakage. Then put on the protective cover and finish the wall surrounding the valve. (Note: Test the water pressure after the pipe connections have been made and before the finished wall material is installed).

Step 3:



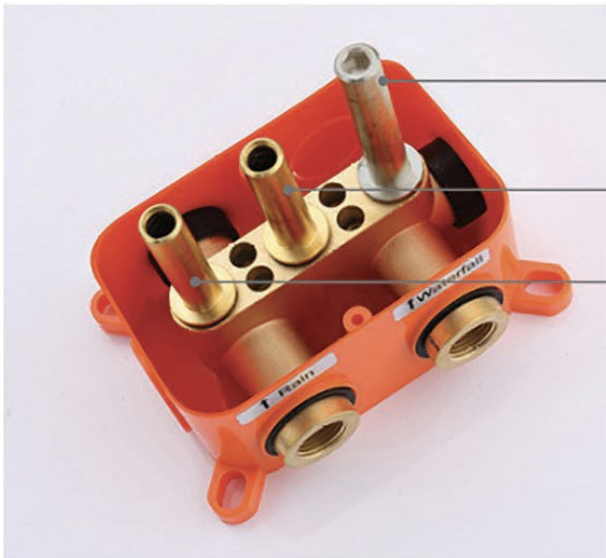
Fix the escutcheon (D) to the showerhead (E) with screws (C).

Step 4:



Remove the protective cover when the finished wall is completed. Then, install the showerhead (E) and press it against the finished wall.

Fontana Showers®



Support role ,strong safe

Rainfall outlet role

Rain shower outlet role

■ Big water flow and comfortable spay,
Elegant design and save space of
shower room



The installation of concealed plastic box
in right way

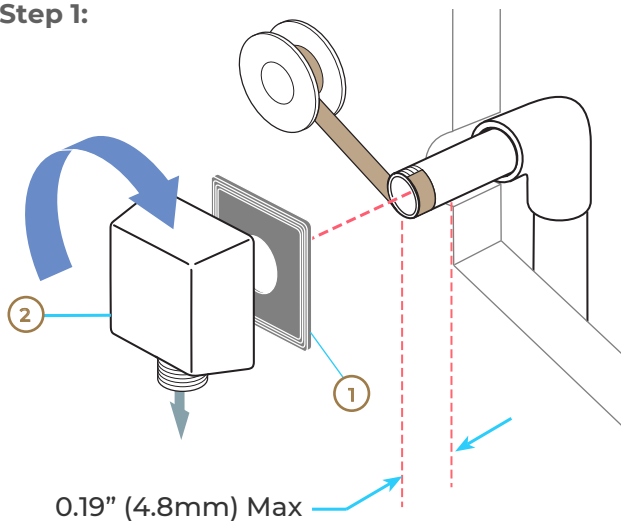


It's installed
upside down

The installation of concealed plastic box
in wrong way

Hand Shower Installations Instruction

Step 1:



1. SUPPLY ELBOW INSTALLATION

Apply plumber tape to threaded ends of 1/2" (13 mm) iron pipe nipple (not supplied) and thread into shower riser elbow so that nipple extends past the finished wall no more than 0.19" (4.8 mm) and no less than 1/16" (1.6 mm). Place the supplied installation gasket (1) behind the elbow (2). Screw the supply elbow onto the nipple making sure that the supply elbow outlet is in a downward facing position. Minimum diameter for hole is 1" (25 mm) with a maximum of 1 1/2" (38 mm).

CAUTION: To avoid damage to the supply elbow or hose finish during installation, wrap with a cloth or tape and use only a smooth-jawed wrench.

DO NOT OVERTIGHTEN CONNECTIONS.

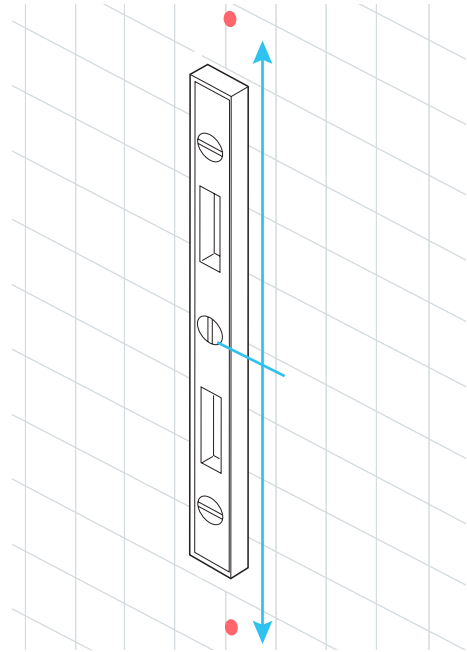
3. WALL BAR INSTALLATION

Note: Hole size will be determined by your use of just the screw or anchor and screw for installation. Drill hole for mounting of bottom post. Start with a smaller drill bit size, 1/8" is recommended, and drill hole. If you hit a wall stud, go to next step. If you do not hit a wall stud, change to a drill bit size suitable for the anchors, 1/4" is recommended, and re-drill hole.

Anchors are for use on drywall or tile. For fiberglass, acrylic and flat plastic surfaces, use toggle bolts (not included).

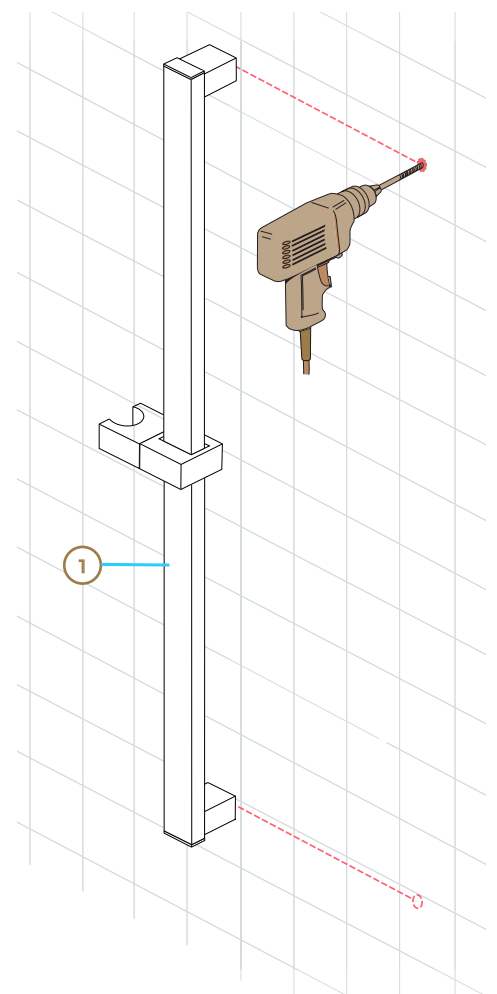
Before drilling top mounting hole, it is recommended that you place the assembled slide bar and post assembly (1) on its side next to the hole locations you have marked. Make sure posts are pressed fully onto bar. Align center of bottom post with bottom hole that was just drilled and make sure center of top post aligns with mark for top hole. If not, re-mark top hole location. If it aligns, drill top hole in location as marked.

Step 2:

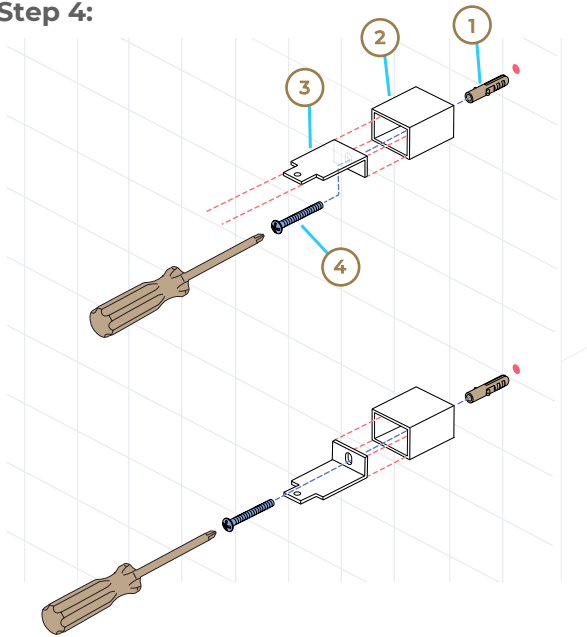


2. Mark the place for drilling the hole for the lower post. Mark using a level, in a vertical line from the lower hole, the placement of the upper post hole. Distance approximately 25.7" (653 mm).

Step 3:



Step 4:



4. Insert anchors (1) into drilled holes. Slide covers (2) over brackets (3), and insert screws (4) into bracket/cover assembly. Secure assembly to wall with screws.

5. Slide the slide mechanism (1) and elbow (2) onto the wall bar (3). Slide wall bar over bracket tabs (4) and secure the wall bar unit with screws (5) provided. Install caps (6) into ends of wallbar. Lower elbow (7) & screw (8) was pre-installed prior to shipping, tighten screw (9) if you find it is sliding inside bar.

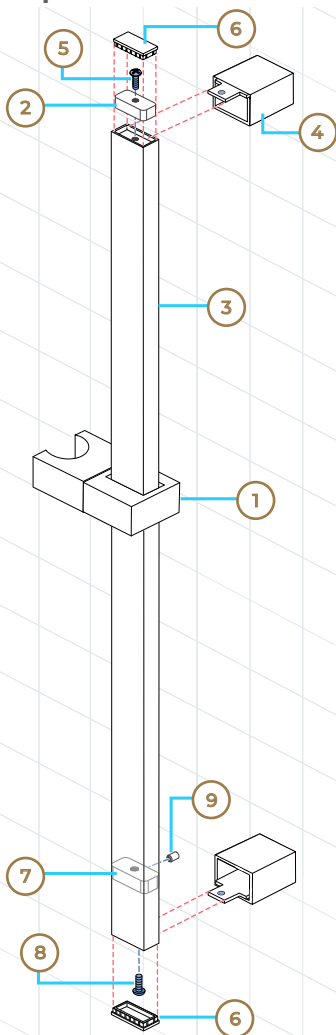
6. INSTALLATION OF THE SHOWER SET

Connect the shower hose to the wall outlet (1) and the hand held piece (2), ensuring that the internal gaskets (3) are present in the shower hose nuts. Normal 1/2" rubber gaskets can be used.

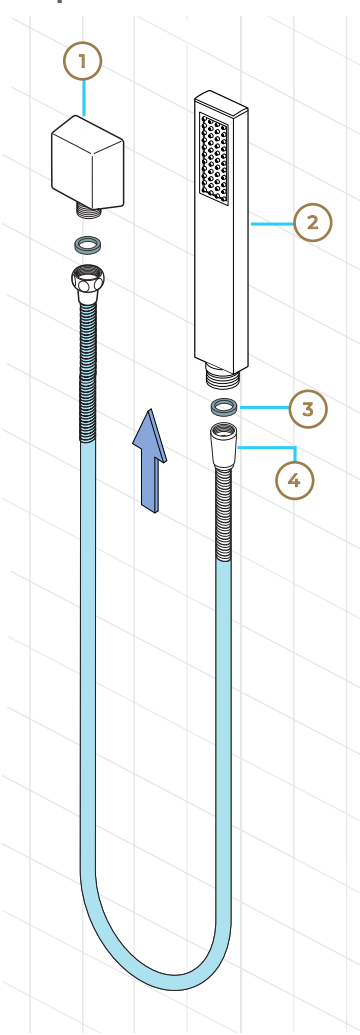
Place the conical nut of the hose (4) that is connected to the hand held piece, in the slide bar holder (5) and turn it to desired position.

To slide the mechanism up or down, push in on the button (6) of the mechanism and slide it on the bar.

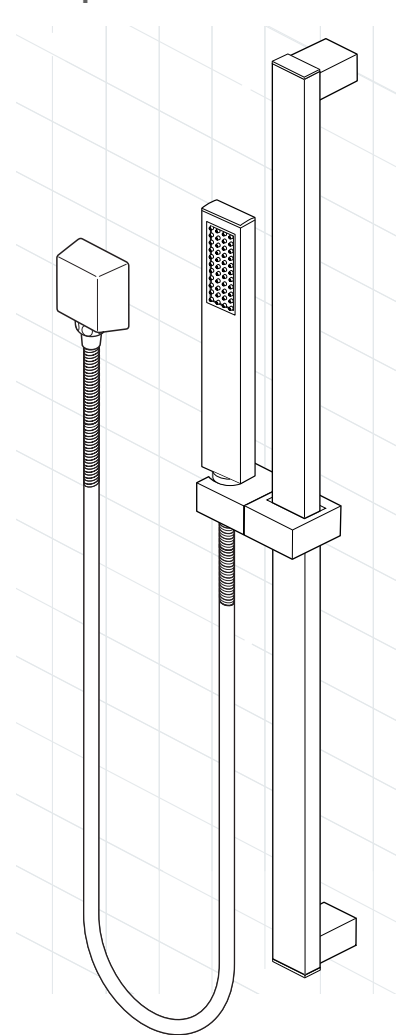
Step 5:



Step 6:

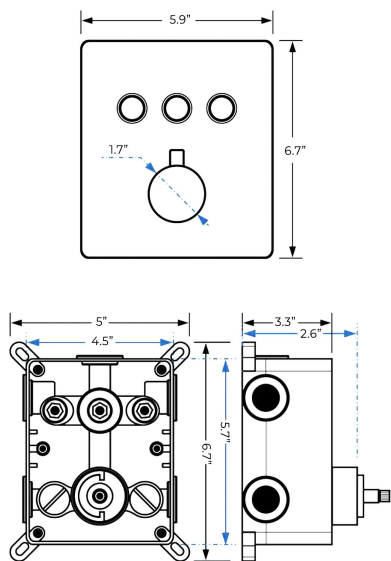


Completed

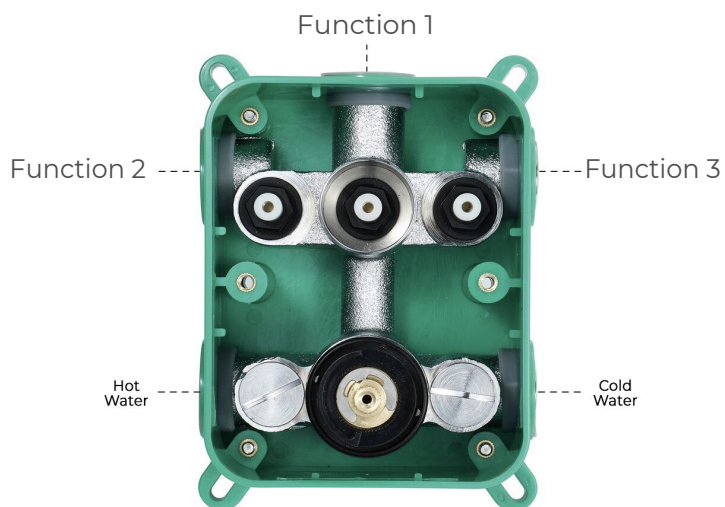


Mixer Installations Instructions

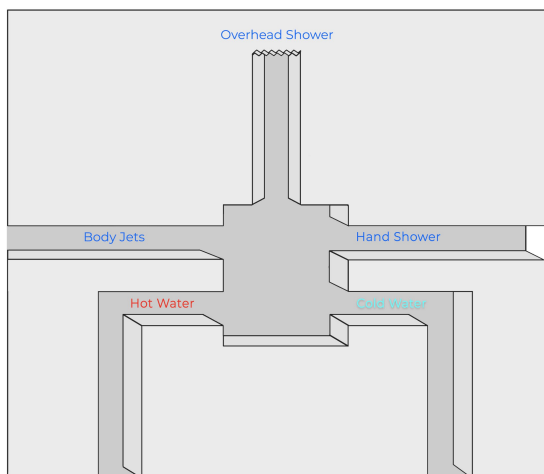
Step 1



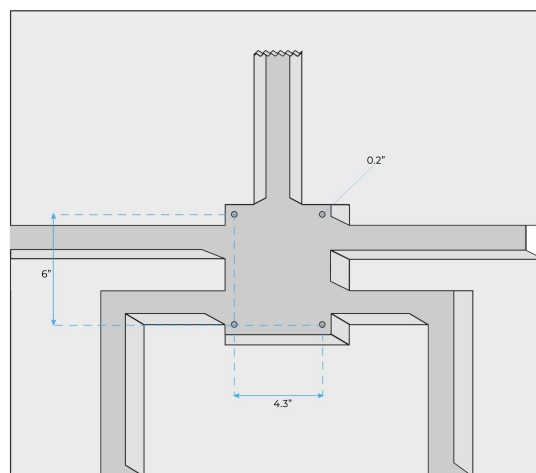
Step 2



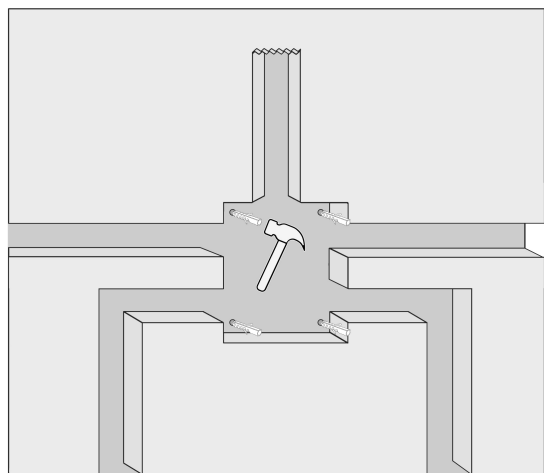
Step 3



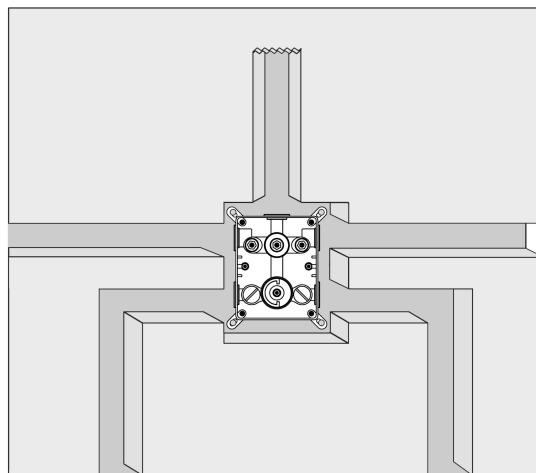
Step 4



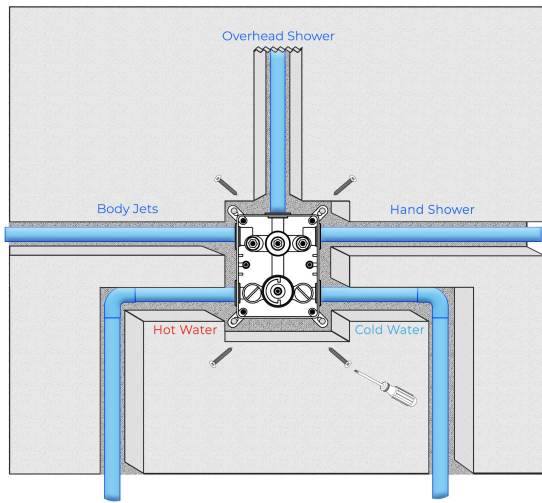
Step 5



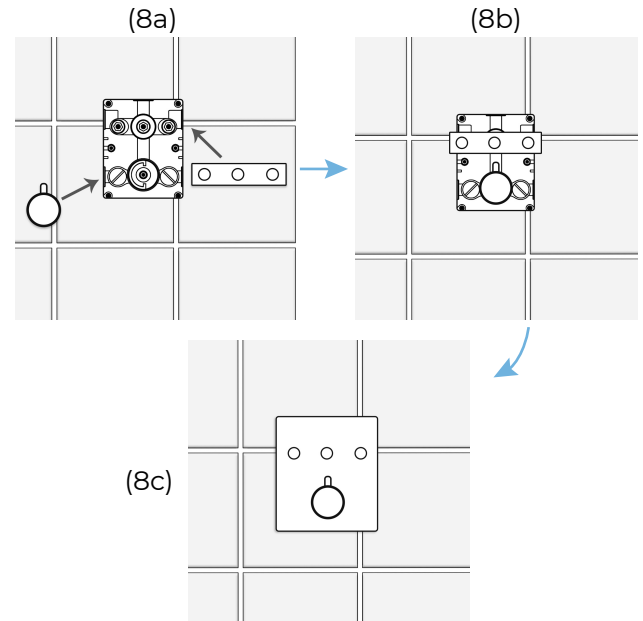
Step 6



Step 7



Step 8



- According to the basic picture of the product, refer to the above picture, open the wall to dig the main body embedded port, the hot and cold water inlet, and the mixed water outlet.

- Drill 5 6mm(0.2") holes with impact drill according to product size.
- Use a hammer to break four expanded capsules into the drilled holes.
- Connect each takeover, then connect the water source to confirm that there is no leakage.
- Adjust the embedded body to the horizontal line, and fix the embedded body on the wall with a cross screwdriver to lock the 4 self-tapping screws. Seal the pipeline with cement filler.
- Loosen the two M5 screws on the sheath counter-clockwise with a cross screwdriver and remove the sheath.

First, remove the color button of the constant temperature handwheel, loosen the main handwheel in the counterclockwise direction with the 2.5mm hex plate, and remove it. When taking out the constant temperature handwheel, do not turn the constant temperature handwheel to ensure that the constant temperature handwheel button is aligned with the 38-degree dial line on the panel.

- Tighten the three long poles on the key-value core, flatten the wall on the set, and cut off the extra parts with a cutting machine or blade to extend the positioning plate plane of the long rod. Then go to the positioning board and press the icon.

Positioning board

Long pole

The excess part of the long bar.

Tight on the wall.

- Balance the panel on the main body. Put the accessories of the constant temperature handwheel in the opposite direction of the unloading on the main body, (pay attention to the constant temperature handwheel installation to ensure that the valve core does not turn, the button direction is aligned with the direction of the outlet pipe.)

General Information

All products manufactured and supplied by Fontana are safe and comply to legislative requirements. Providing they are installed correctly and receive regular maintenance in accordance with these instructions your user experience will not be affected.

Care & Cleaning

1. The product can be cleaned with warm water, a mild soap and a clean soft cloth.
2. Clean progressively and gently.
3. It is not required to use any abrasive cleaning pads, wire wool or cloths to clean the product.
4. Avoid a vigorous cleaning action, as this could contribute to denaturing and dulling
5. Abrasive or strong cleaning products containing ammonia, bleaches, alcohol, dyes, acids (hydrochloric, formic, phosphorus, chlorine or acetic) will be not be affected.
6. If using a spray cleaner, apply the cleaning agent onto a soft cloth, never directly spray onto the product as the cleaner may enter gaps and openings and cause damage. Do not allow the cleaner to remain on the product for a period of time. After cleaning, rinse thoroughly with clean water.

