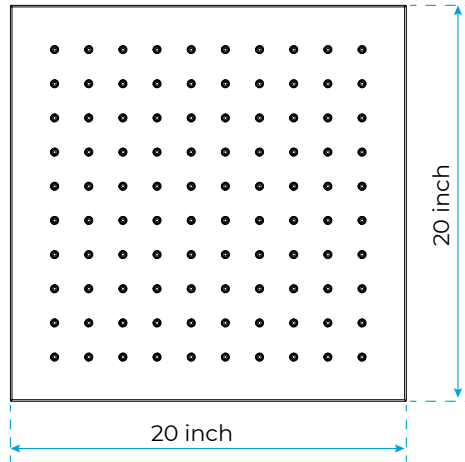


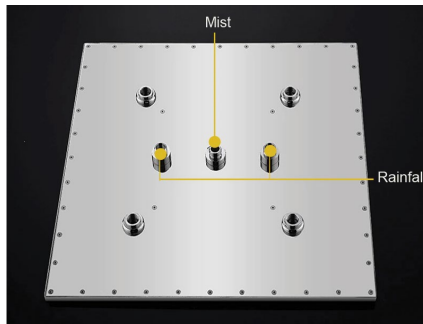
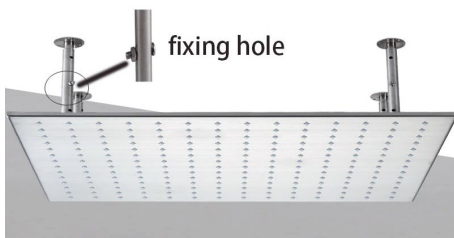
# 20" THERMOSTATIC MIST RAINFALL SHOWER SYSTEM WITH HANDHELD SHOWER SPECIFICATIONS



## Shower Head



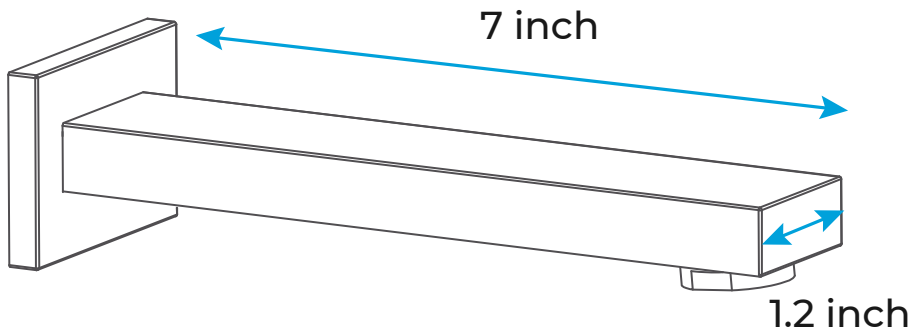
1/2" NPT inlets  
Easy clean nozzles  
Flow Rate: 9.5L/min 2.5 GPM



Product shown is only for installation display purpose

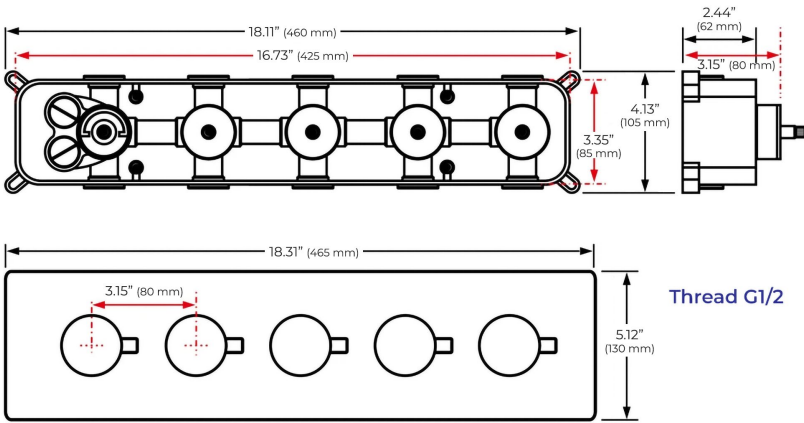


## Spout



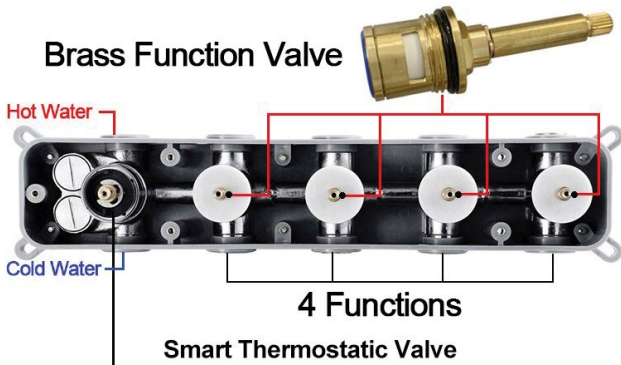
All dimensions and specifications are nominal and may vary. Use actual products for accuracy in critical situations.

## Shower Mixer

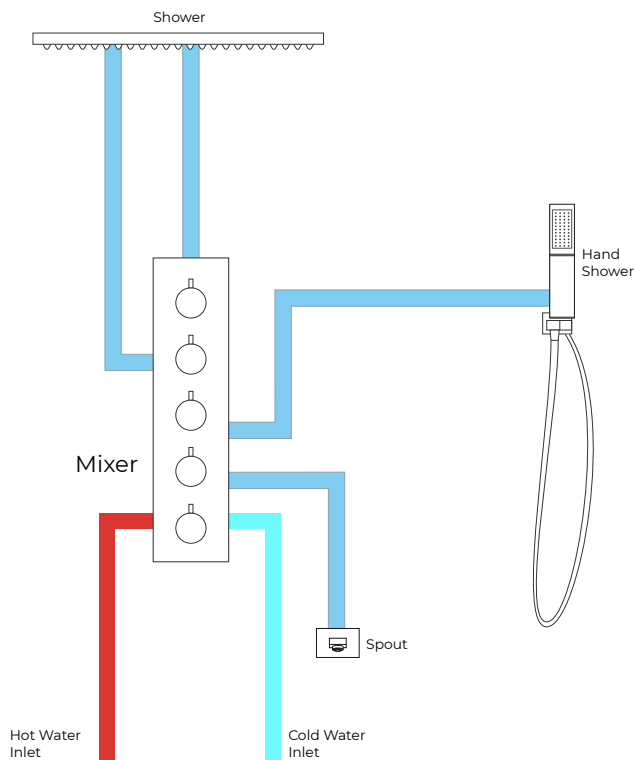


All Function can be used at the same time.

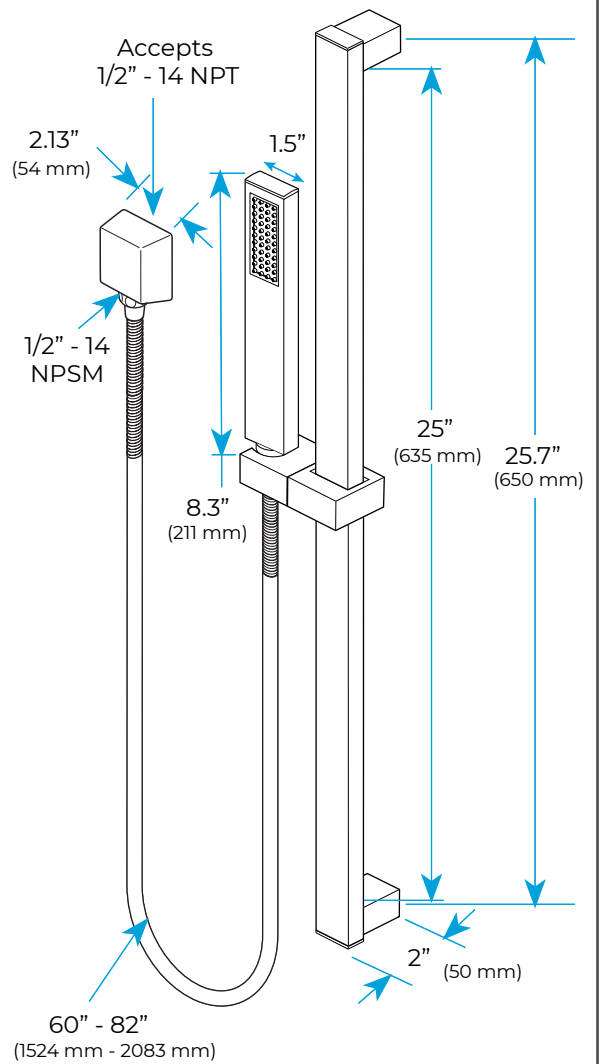
### Brass Function Valve



## Shower Mixer Connections



## Hand Shower



Flow Rate: 2.0 GPM / 7.6 LPM